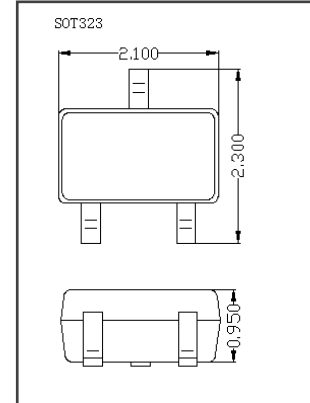
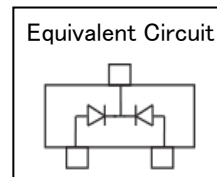


DATA SHEET

BAV70W

- ◇ Epoxy meets UL 94 V-0 flammability rating
- ◇ Small Outline Surface Mount Package
- ◇ Low Current Leakage
- ◇ For high-speed switching applications

Device Marking Code	
BAV70W	KJA



MAXIMUM RATINGS (T_a = 25 °C)

Symbol	Parameter	Value	Units
V _R	Reverse Voltage	75	V
I _F	Forward Current	150	mA
I _{FSM}	Non-Repetitive Peak Forward Surge Current @t=8.3ms	2.0	A
P _d	Power Dissipation	200	mW
T _J	Junction Temperature	150	°C
T _{STG.}	Storage Temperature	-55 to 150	°C
R _{θJA}	Thermal Resistance from Junction to Ambient	625	°C/W

ELECTRICAL CHARACTERISTICS (T_a = 25 °C)

Symbol	Parameter	Test Conditions	Min	Typ	Max	Units
V _{BR}	Reverse breakdown voltage	I _R =100uA	75			V
I _R	Reverse voltage leakage current	V _R =75V			2.5	uA
		V _R =20V			25	nA
V _F	Forward voltage	I _F =1mA			715	mV
		I _F =10mA			855	mV
		I _F =50mA			1000	mV
		I _F =150mA			1250	mV
C _D	Diode capacitance	V _R =0V, f=1MHZ			2	pF
t _{rr}	Reverse recovery time	I _F =I _R =10mA I _{rr} =0.1 × I _R , R _L =100Ω			4	nS

TYPICAL CHARACTERISTICS

Fig. 1 - Typical Instantaneous Forward Characteristics

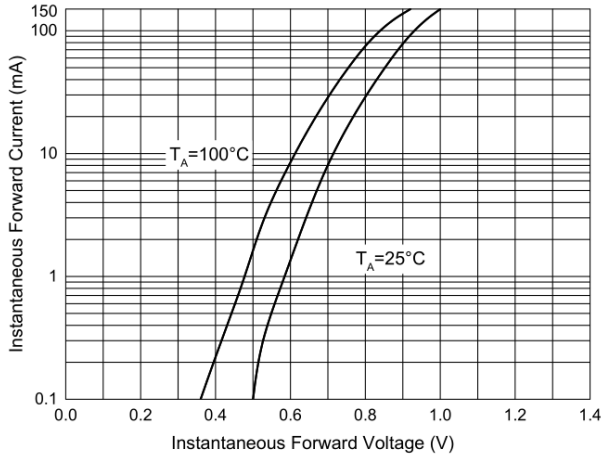


Fig. 2 - Typical Reverse Leakage Characteristics

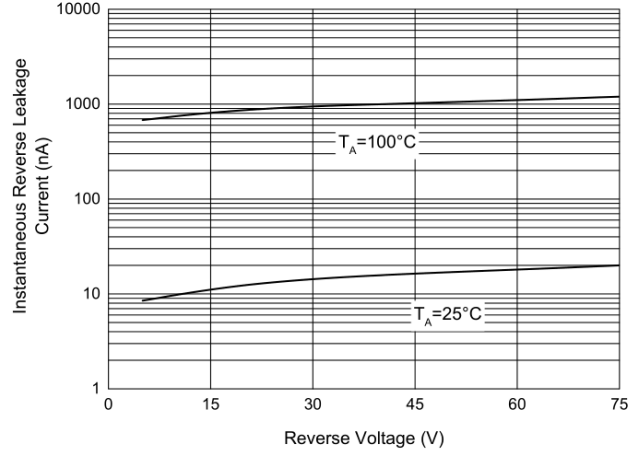
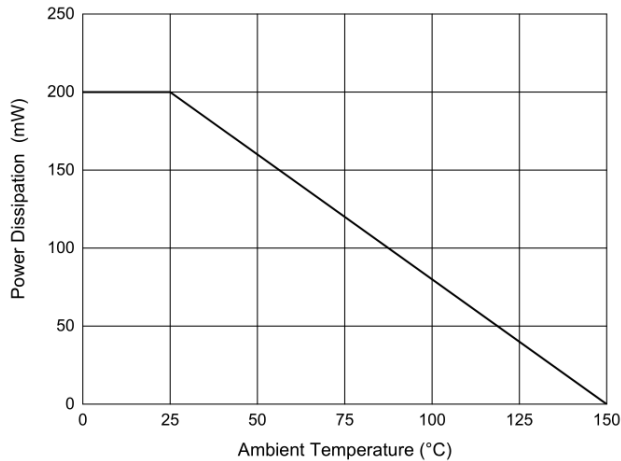


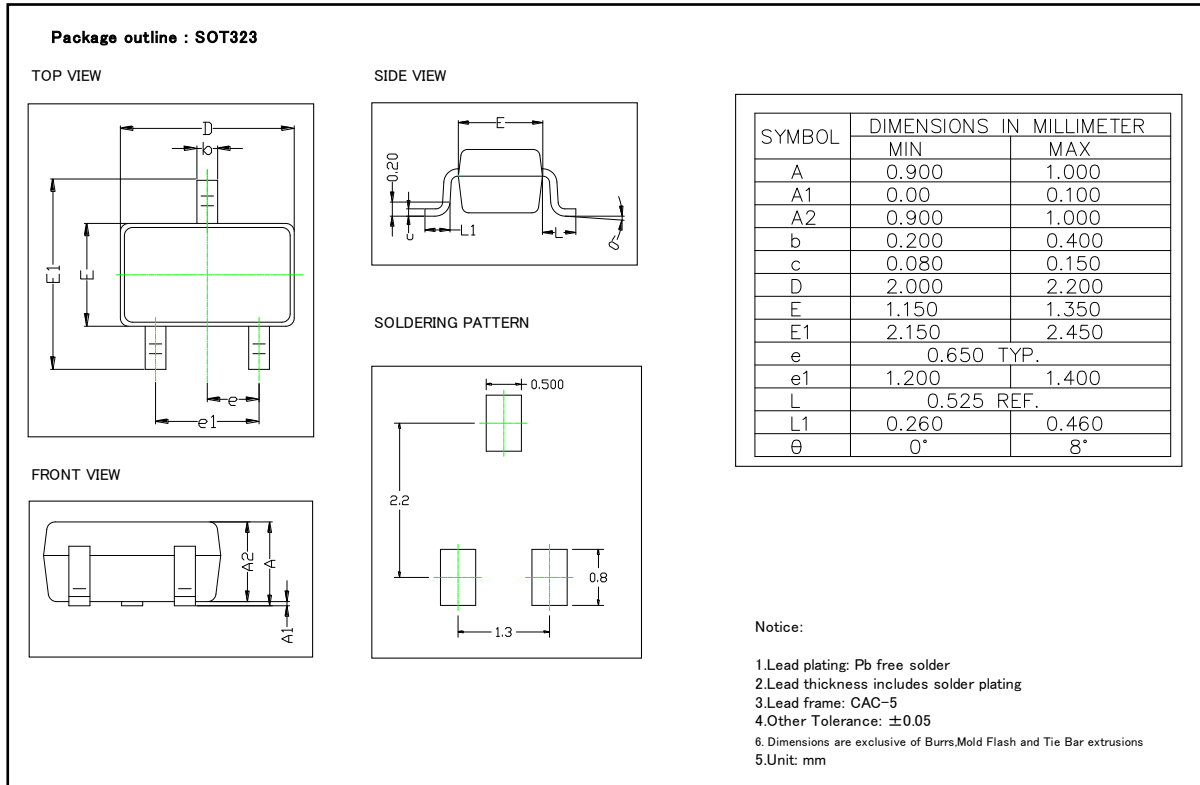
Fig. 3 - Power Derating Curve



ORDERING INFORMATION

Device	Package	Shipping	Tape width	Emboss pitch	Tape specification	Notes
BAV70W	SOT323	Tape & Reel 3000pcs / 7" Reel	8mm	4mm	Conductive	

PACKAGE DIMENSIONS



NOTICE

AM'S PRODUCTS ARE NOT AUTHORIZED FOR USE AS COMPONENTS IN ANY LIFE SUPPORT DEVICES OR SYSTEMS.

AM reserve the right to make modifications, enhancements, improvements, corrections or other changes without further notice to any product herein. AM does not assume any liability arising out of the application or use of any product described herein.