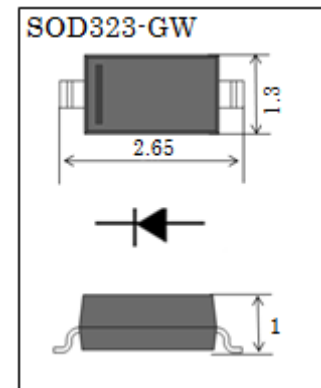


SCHOTTKY BARRIER DIODE / DATA SHEET

BAT54WX

- ◇ Low Forward Voltage Schottky Rectifier
- ◇ RoHS compliant / Green EMC
- ◇ SOD323-GW Thin SMD package
- ◇ Matte Tin (Sn) Lead finish
- ◇ Cathode Band / Device marking

Device Marking Code	
BAT54WX	L9



Maximum Ratings (Ta = 25 °C)

Symbol	Parameter	Value	Units
V_R	DC Blocking Voltage	30	V
I_O	Average Rectified Output Current	100	mA
I_F	Forward continuous current	200	mA
I_{FRM}	Repetitive peak forward current	300	mA
I_{FSM}	Non-repetitive Peak Forward Surge Current *1	600	mA
P_D	Power Dissipation	200	mW
T_J	Junction Temperature	125	°C
T_{STG}	Storage Temperature	-65 to +125	°C

*1 8.3 ms single half sine-wave

Electrical Characteristics (Ta = 25 °C)

Symbol	Parameter	Conditions	Min	Typ	Max	Units
V_{BR}	Reverse breakdown voltage	$I_R = 100 \mu A$	30			V
V_F	Forward Voltage	$I_F = 0.1mA$ $I_F = 1.0mA$ $I_F = 10mA$ $I_F = 30mA$ $I_F = 100mA$			240 320 400 500 1000	mV
I_R	Reverse Current	$V_R = 25V$			2.0	μA
C_T	Capacitance	$V_R = 1V, f = 1MHz$			10	pF
trr	Reverse recovery time	$I_F = 10mA,$ $I_R = 10mA \text{ to } 1mA,$ $R_L = 100\Omega$			5.0	ns



Ordering Information

Device	Package	Shipping	Tape wide	Emboss pitch	Tape specification	Notes
BAT54WX	SOD323-GW	Tape & Reel 3000pcs /7" Reel	8 mm	4 mm	Conductive	

Package Dimensions

Package outline : SOD323-GW

Symbol	Dimensions in mm	
	Min.	Max.
A		1.000
A1	0.000	0.100
A2	0.800	0.900
b	0.250	0.350
c	0.080	0.150
D	1.200	1.400
E	1.600	1.800
E1	2.500	2.700
L	0.475 REF.	
L1	0.250	0.400
θ	0°	8°

SOD323 Package Outline

Note:
 1. Halogen free,EMC
 2. Pb free solder
 3. Lead thickness includes solder plating
 4. Lead frame: A42
 5. Other Tolerance: ±0.05
 6. Dimensions are exclusive of Burrs, Mold Flash and Tie Bar extrusions
 7. Unit: mm