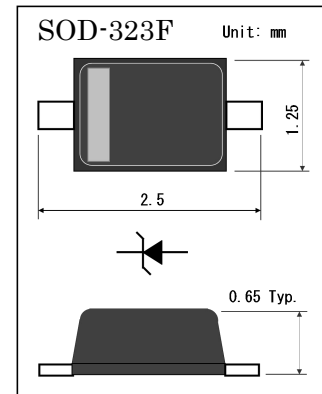


DATA SHEET

BAS316M3

- ◇ General purpose diodes
- ◇ Fast switching devices
- ◇ SOD323F Micro SMD package
- ◇ RoHS compliant / Green EMC
- ◇ Matte Tin (Sn) Lead finish
- ◇ Cathode Band / Device marking

Device Marking Code	
BAS316M3	W2



Maximum Ratings (Ta = 25 °C)

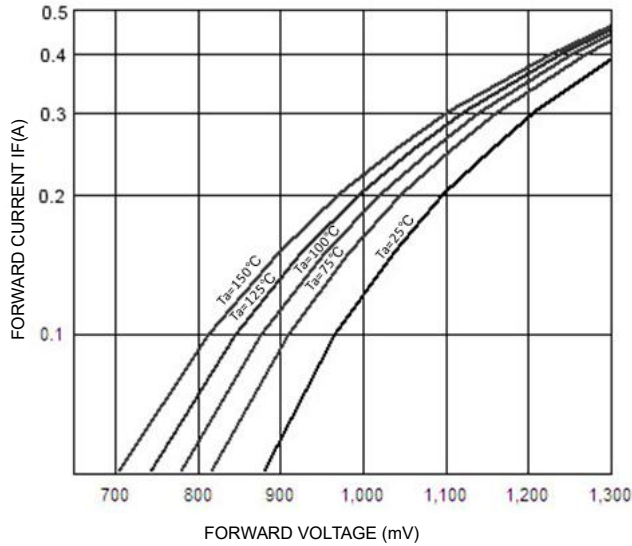
Symbol	Parameter	Value	Units
V_{RRM}	Repetitive Peak Reverse Voltage	100	V
$I_{F(AV)}$	Forward Current	250	mA
I_{FRM}	Non-Repetitive Peak Forward Surge Current	Pulse Width=1us	4.0 A
		Pulse Width=1ms	1.0 A
P_D	Power Dissipation	250	mW
T_J	Junction Temperature	150	°C
T_{STG}	Storage Temperature	-65 to +150	°C

Electrical Characteristics (Ta = 25 °C)

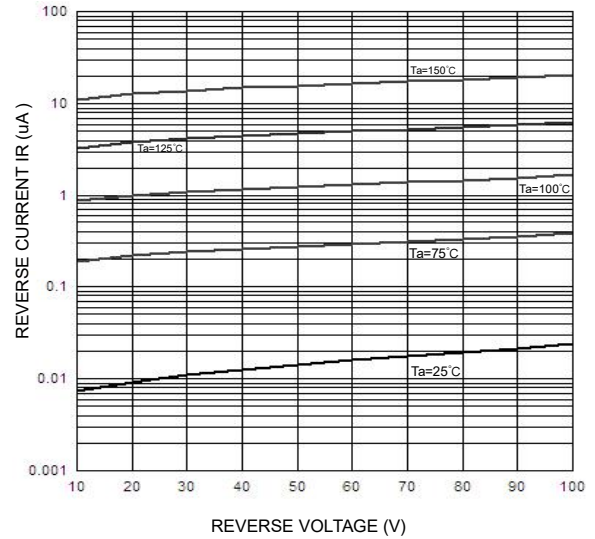
Symbol	Parameter	Test Conditions	Min	Max	Units
V_F	Forward Voltage	$I_F=1.0mA$,	-	0.715	V
		$I_F=10mA$,	-	0.855	
		$I_F=50mA$,	-	1.000	
		$I_F=150mA$,	-	1.250	
I_R	Reverse Current	$V_R=20V$	-	0.03	uA
		$V_R=75V$	-	1.00	
V_R	Reverse Voltage	$I_R=100\mu A$	100		V
C_J	Junction Capacitance	1MHz, $V_R=0V$	-	1.5	pF
t_{rr}	Reverse Recovery Time	$I_F=10mA, I_R=10mA,$ $I_{rr}=0.1 \times I_R$	-	4.0	ns

Characteristics Curves

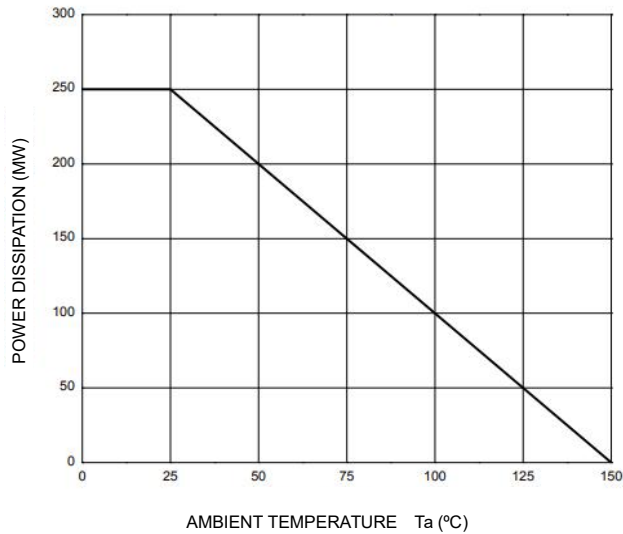
Typical Instantaneous Forward Characteristics



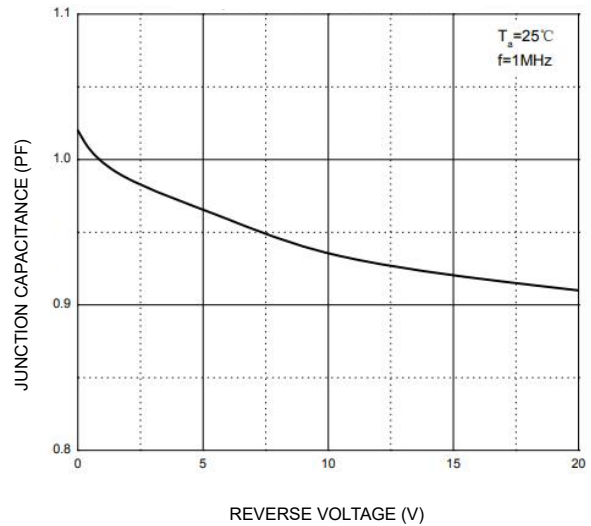
Typical Reverse Leakage Characteristics



Power Derating Curve



Capacitance Characteristics



Ordering Information

Device	Package	Shipping	Tape wide	Emboss pitch	Tape specification	Notes
BAS316M3	SOD323F	Tape & Reel 3000pcs /7" Reel	8 mm	4 mm	Conductive	



Package Dimensions

