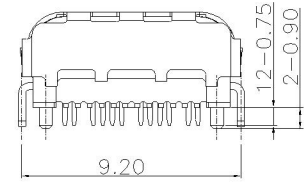
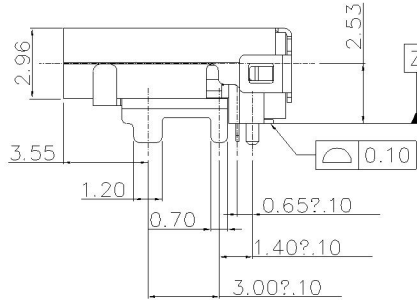
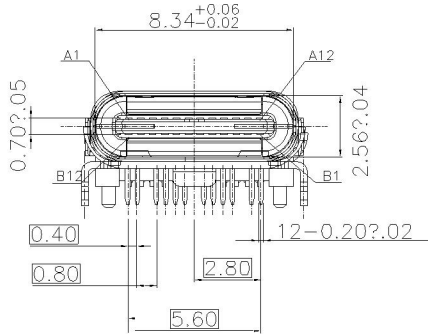
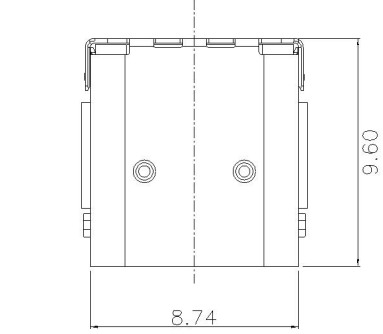


1 文件类型: 产品图面

REV.	ECN NO.	DESCRIPTION	DRWN	APPD.	DATE.

A



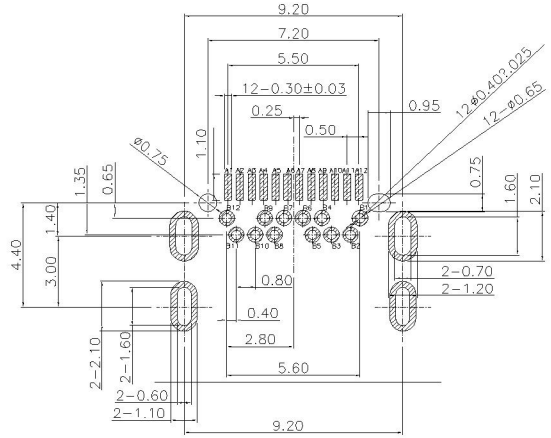
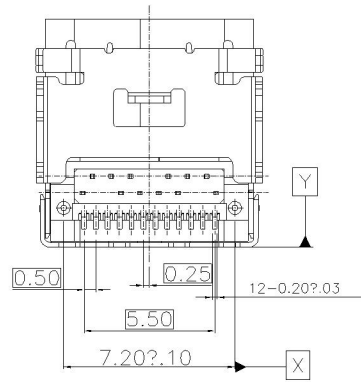
NOTE:  
 1.MATERIAL:  
 1.1 INSULATOR: HIGH TEMPERATURE PLASTIC UL 94 V-0;  
 1.2 CONTACT: COPPER ALLOY  
 1.3 SHELL:STAINLESS STEEL  
 1.4 MYLAR:POLYIMIDE  
 2.ELECTRICAL CHARACTERISTICS:  
 2.1 CONTACT RESISTANCE: 40mΩ Max FOR INITIAL. 10mΩ CHANGE AFTER TEST.  
 MEASURE AT 20mV, 100mA.  
 2.2 CONTACT CURRENT RATING: 5A FOR VBUS PIN; 1.25A FOR VCONN PIN.  
 2.3 DIELECTRIC WITHSTANDING VOLTAGE: 100V AC R.M.S.  
 2.4 INSULATION RESISTANCE 100MΩ Min  
 2.5 OPERATING TEMPERATURE: -40°C ~ 85°C  
 3 MECHANICAL CHARACTERISTICS:  
 3.1 MATING FORCE: 5~20 N.  
 3.2 UNMATED FORCE: 8~20N AFTER TEST  
 3.3 DURABILITY: 10,000 CYCLES  
 4.PLATING  
 4.1 TERMINAL CONTACT: (SEE TAB) GOLD PLATING 8u" ALL OVER 50u" Min  
 NICKEL AND 80u"Min Tin ALL OVER 50u" Min NICKEL ON SOLDER AREA  
 4.2 SHELL: 50u" Min. NICKEL ALL OVER,

電鍍規格: 01FS24 SX N241RZL  
 A

A: Plating  
 S1-03u" gold in contact area/  
 80u" Tin in solder area.  
 S2-05u" gold in contact area/  
 80u" Tin in solder area.  
 S3-gold flash in contact./  
 80u" Tin in solder area.  
 S4-10u" gold in contact area/  
 80u" Tin in solder area.  
 S5-15u" gold in contact area/  
 80u" Tin in solder area.  
 S6-30u" gold in contact area/  
 80u" Tin in solder area.

	A	B
1	GND	12 GND
2	TX1+	11 RX1+
3	TX1-	10 RX1-
4	VBUS	9 VBUS
5	CC1	8 SBU2
6	D+	7 D-
7	D-	6 D+
8	SBU1	5 CC2
9	VBUS	4 VBUS
10	RX2-	3 TX2-
11	RX2+	2 TX2+
12	GND	1 GND

D



RECOMMENDED P.C.B LAYOUT  
 PCB THICKNESS 1.0±0.05mm

UNITS	SCALE
MM	1:1
GENERAL TOLERANCE	
X.	±0.30
X.X	±0.20
X.XX	±0.10
X.°	±3°
X.X°	±2°

**L&X 深圳市连欣科技有限公司**  
<http://www.szlianxinkeji.com/>

DR.	Lila	TITLE:	USB Type-C 母24P板上SMT+DIP垫高2.53排距0.7加后塞(L=9.6)	
CHK.	Loran	MAT'L:	XUBF-0336-0371	DWG NO: LXUSB-CF037JV
APPD.	LIGUIYUAN	DATE:	2016.05.28	PART NO: SIZE A4

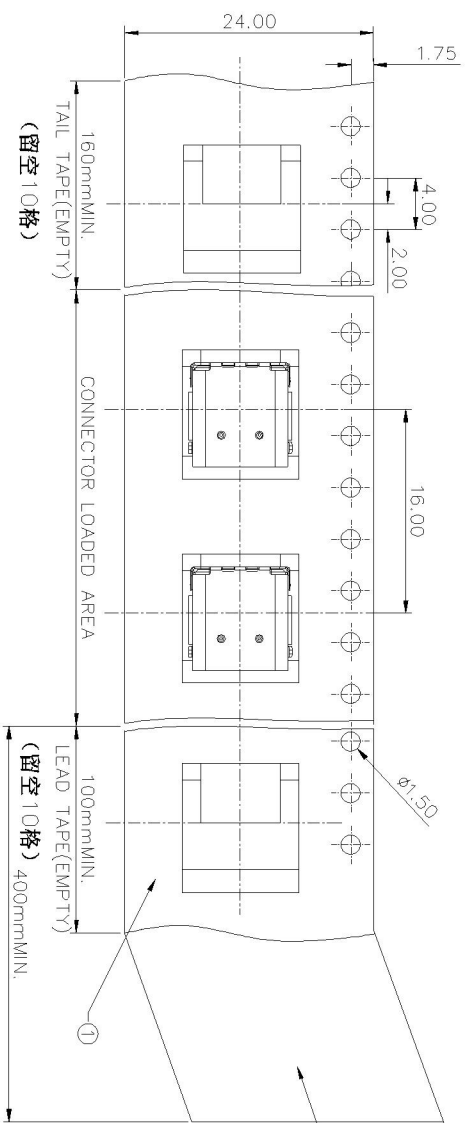
A

D

由 Autodesk 教育版产品制作

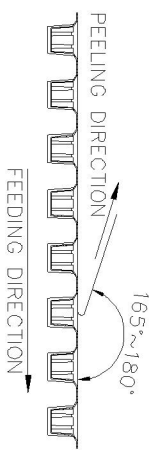
由 Autodesk 教育版产品制作

REV.	ECN NO.	DESCRIPTION	DRWN	APPD.	DATE.

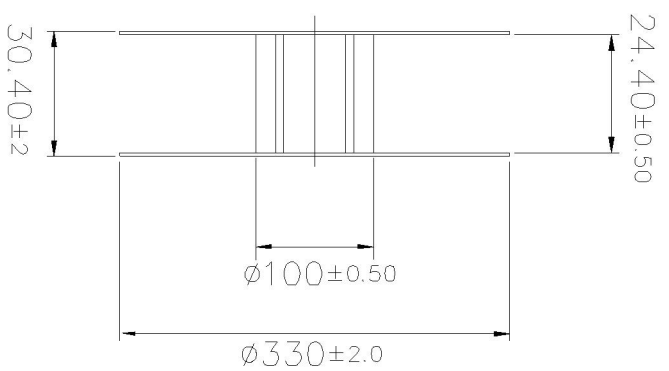
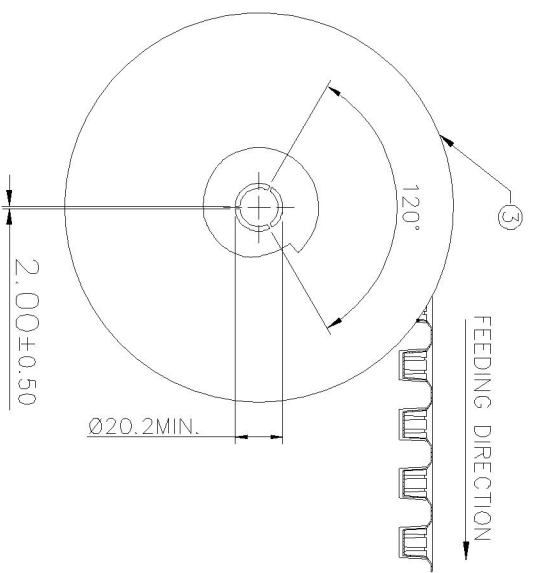


NOTES:  
 1. 1.0 PITCHES CUMULATIVES TOLERANCE ON TAPE IS +/-0.20mm;  
 2. COVER TAPE PEELING STRENGTH : 0.13kgf MAX. AT 300mm/MINUTE;  
 3. PACKAGING CAPACITY:

P/N	PCS/REEL	REEL/BOX	PCS/BOX
D301024-01	600	10	6000



ITEM	DESCRIPTION	MATERIAL
③	REEL	POLYSTYRENE
②	COVER TAPE	POLYESTER
①	CARRIER TAPE	POLYSTYRENE



UNITS	SCALE
MM	1:1

GENERAL TOLERANCE

X.	±0.30
X.X	±0.20
X.XX	±0.10
X.°	±3°
X.X°	±2°

**L&X 深圳市连欣科技有限公司**  
<http://www.szlianxinkeji.com/>

DR.	TITLE:
Lila	USB Type-C 母24P板上SMT+DIP垫高2.53排距0.7加后塞(L=9.6)

CHK.	MAT'L:	DWG NO.:
Loran	XUBF-0336-0371	LXUSB-CF037JV

APPD.	DATE:	P	PART NO.:	SIZE
LIGUIYUAN	2016.05.28	P		A4

文件类型: 产品图面

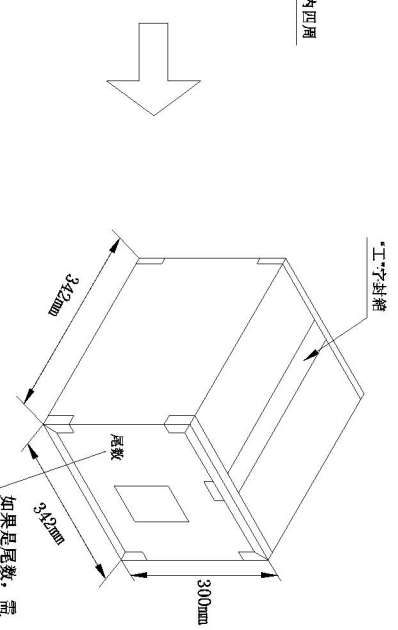
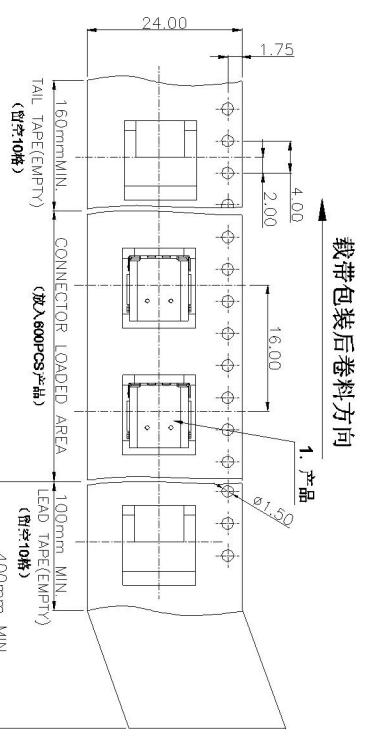
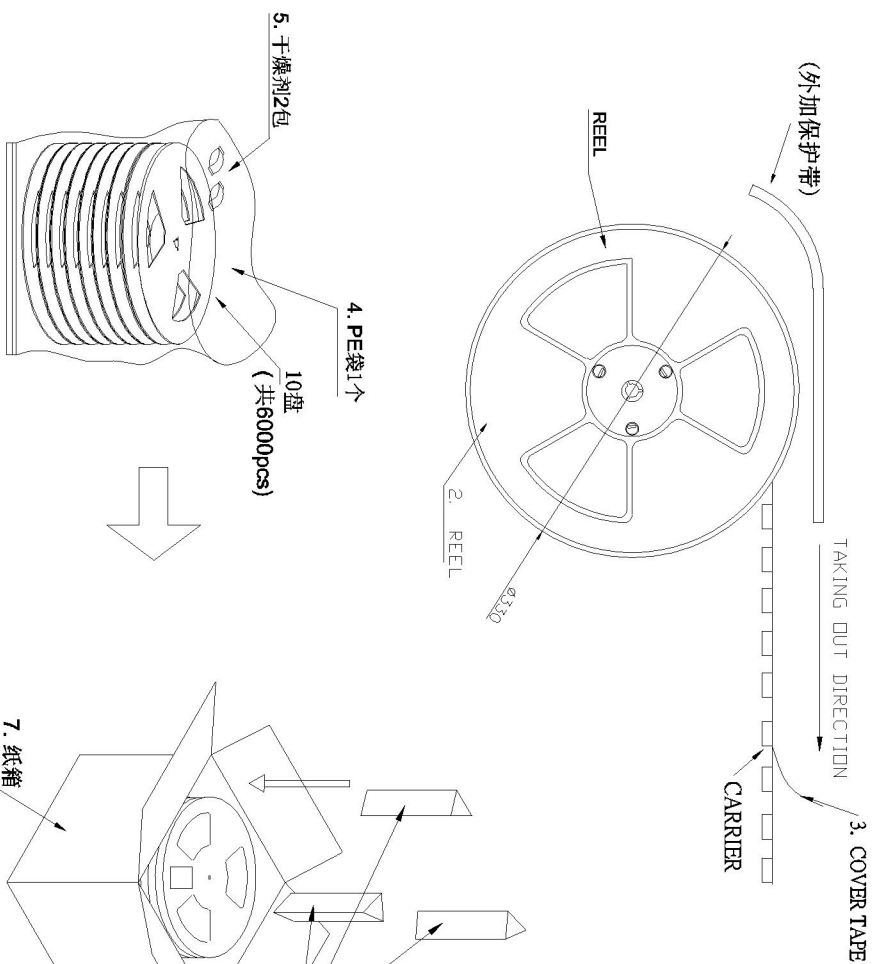
1 2

由 Autodesk 教育版产品制作

5

REV.	ECN NO.	DESCRIPTION	DRWN	APPD.	DATE.

A



Notes:

1. 每卷前后各空10PCS尾端用美纹纸密封住;
2. 将产品放入卷带内, 共放600PCS, 放满盘后, 止卷一圈保护带;
3. 将10盘盘线入一个防水袋, 再放入2包干燥剂, 然后放入1个外箱内; 纸箱内四周放封角;
4. 在搬运过程中要轻拿轻放;
5. 在运输中不可堆放过多, 不可有承压现象;
6. 跌落测试条件:  
成品箱子从1.5米高度自由落体(三棱六面一角棱数项目);  
1. 产品不可有摔伤变形;  
2. 产品不可有零件脱落;  
3. 外包装及内包装材料不可有严重破损。

序号	品名	料号	规格(mm)	用量(pcs)
7	纸箱	CA-06002-00	双坑=K 342*342*300	1PCS
6	工字封			4PCS
5	干燥剂			2PCS
4	PE袋			1PCS
3	COVER TAPE		21.0mm	若干
2	REEL		24.0mm	10R
1	产品			6K

净重	毛重
4.08Kg	8.38Kg

1 2

由 Autodesk 教育版产品制作

5

6

**L&X 深圳市连欣科技有限公司**  
<http://www.szlianxinkeji.com/>

DR. Lila  
 TITLE: USB Type-C 母24P板上SMT-DIP垫高2.53排距0.7加后塞(L=9.6)

CHK. Lorran  
 MAT'L: XUBF-0336-0371  
 DWG NO: LXUSB-CF0371V

APPD. LIGUIYUAN  
 DATE: 2016.05.28  
 P  
 PART NO:  
 SIZE A4

D

D