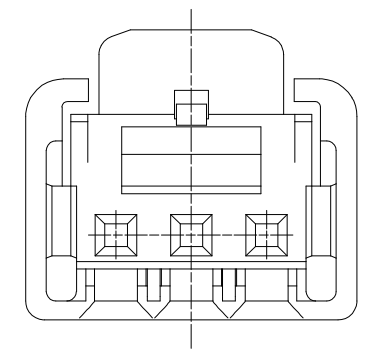
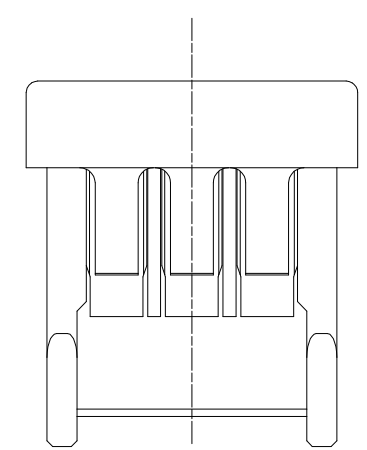
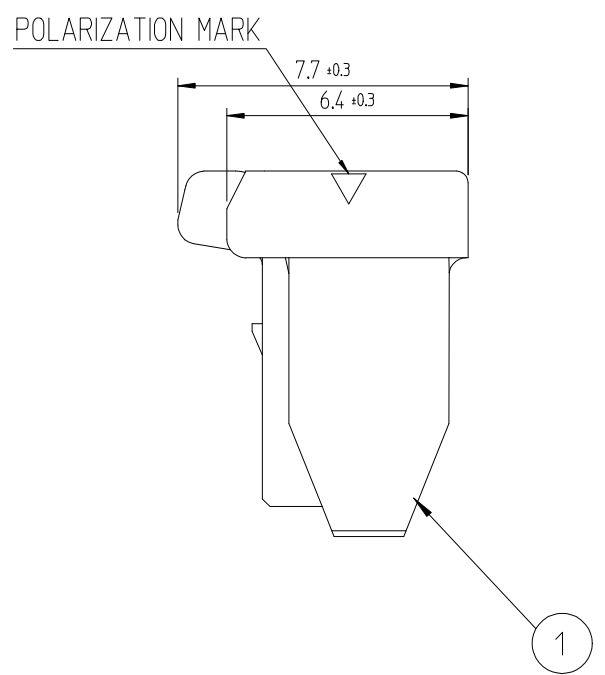
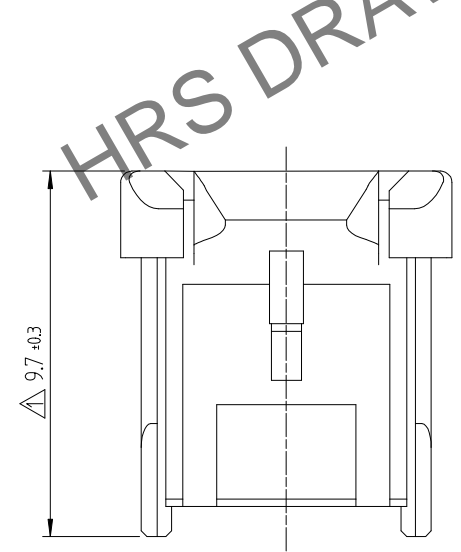
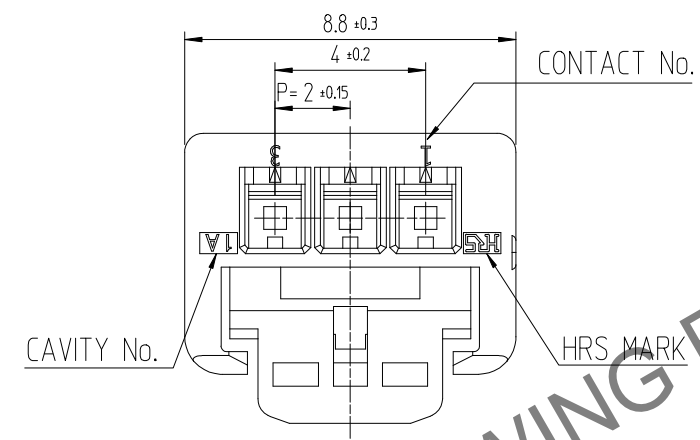


Aug.1.2023 Copyright 2023 HIROSE ELECTRIC CO., LTD. All Rights Reserved.
In case of consideration for using Automotive equipment / device which demand high reliability, kindly contact our sales window

訂正事項					訂正事項				
△數	DESCRIPTION OF REVISIONS	擔當	檢圖	年月日	△數	DESCRIPTION OF REVISIONS	擔當	檢圖	年月日
COUNT		B Y	CHKD	DATE	COUNT		B Y	CHKD	DATE
①	1 RE-6-1150	K.I.Y	L.S.M	18. 07. 04	△				. . .
②	1 RE-6-1579	K.I.Y	L.S.M	20. 01. 23	△				. . .
△				. . .	△				. . .



NOTE 1. 1PACK CONTAINS 100PCS.

△2. UL(File No. E132750) AUTHORIZATION ARTICLE.
C-UL(File No. E132750) AUTHORIZATION ARTICLE.



NO.	MATERIAL	FINISH,REMARKS	NO.	MATERIAL	FINISH,REMARKS
			1	PBT	UL94V-0, BLACK
CODE NO. (OLD)			DRAWN	DESIGNED	CHECKED
			CHOI 17.12.22 J.S	CHOI 17.12.22 J.S	LIM 17.12.22 S.M
			APPROVED		RELEASED
			KANG 17.12.22 T.S		ENG 20.02.12 DEPT
DRAWING NO. EDC3-632507			PART NO. DF51K-3S-2C (800)		
SCALE 5:1			CODE NO. CL 6652-0021-9-800		
UNITS mm			1/1		

HRS DRAWING FOR REFERENCE