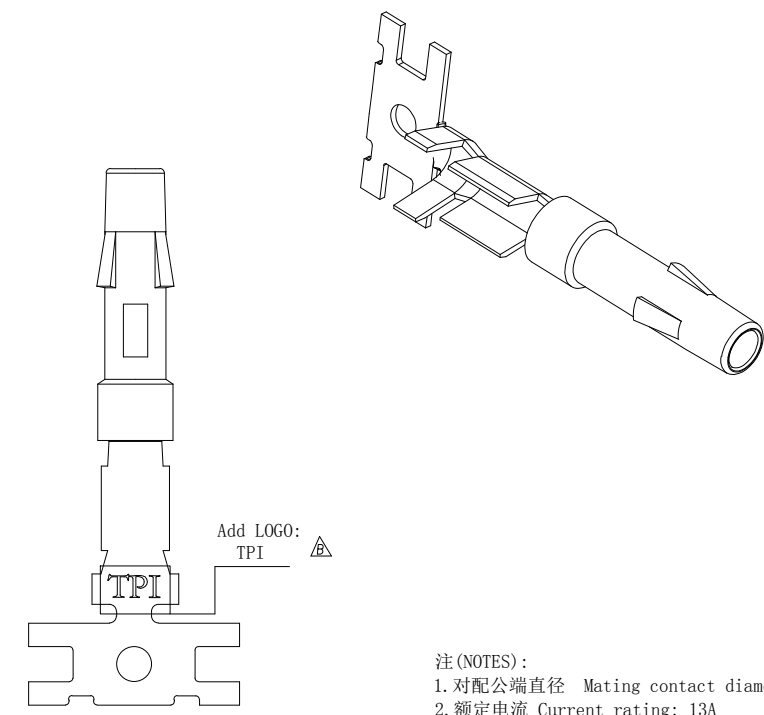
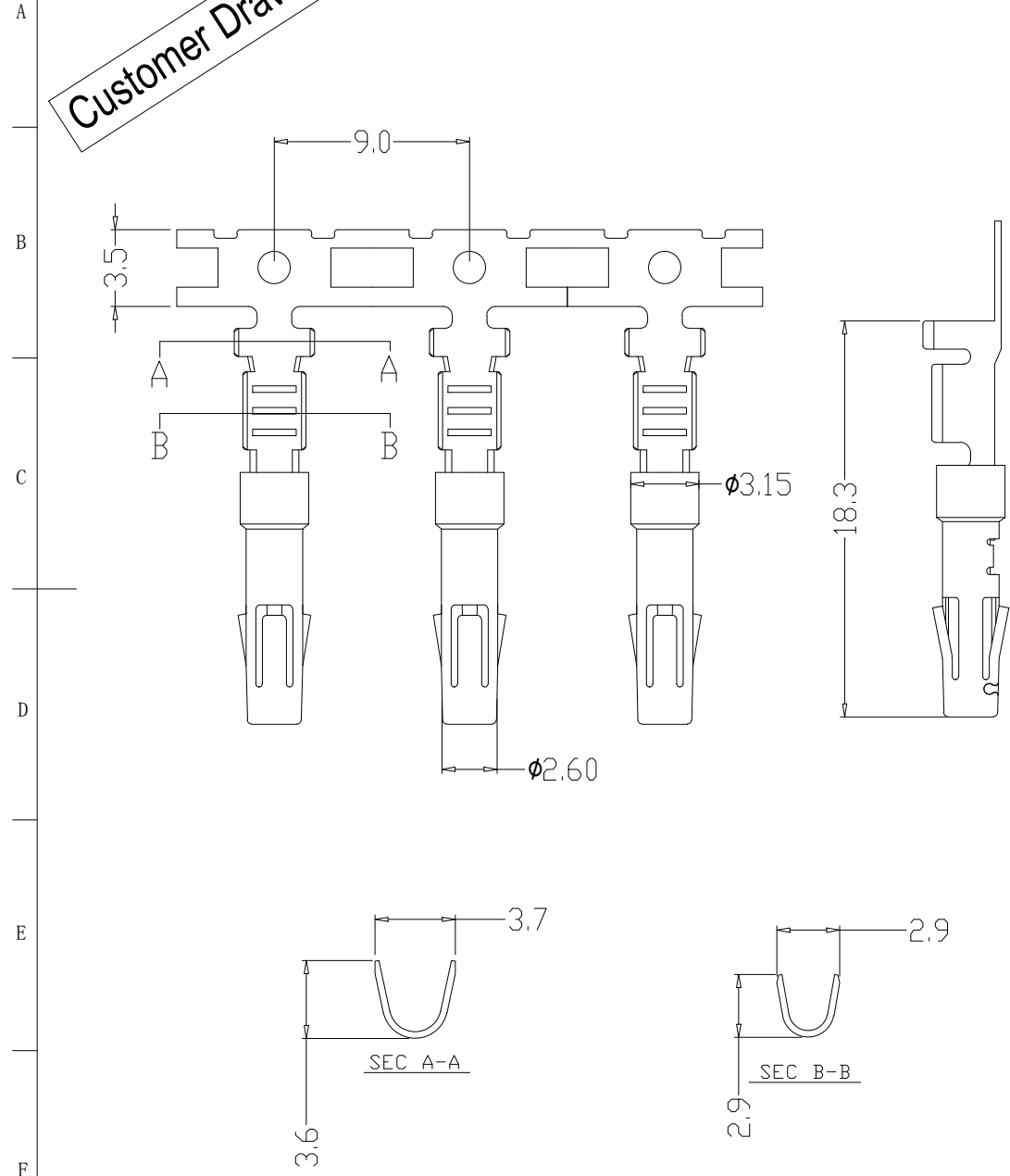


THIS DRAWING IS SUPPLIED FOR INFORMATION ONLY. DESIGN FEATURES, SPECIFICATIONS AND PERFORMANCE DATA SHOWN HEREON ARE THE PROPERTY OF THE AMPHENOL CORPORATION. NO RIGHTS OF REPRODUCTION ARE IMPLIED. ALL DIMENSIONS ARE SUBJECT TO NORMAL MANUFACTURING VARIATIONS.

Customer Drawing

REV		ZONE	ECO	DESCRIPTION	DATE	BY	APPR
REVISIONS							
A	--	--	--	INITIAL RELEASE	11/22/18	FL	JL
B	--	--	--	Add LOGO	05/08/19	FL	JL
C	--	--	--	Remove the gold-plated terminal	05/12/20	JS	JL



- 注 (NOTES):
1. 对配公端直径 Mating contact diameter: 1.6mm
 2. 额定电流 Current rating: 13A
 3. 端子类型 Terminatin type: Crimp
 4. 压线规格 Wire size: AWG16~18
 - △ 5. 电镀信息 Plating specification:
 镍底镀锡 Tin over nickel
 6. 材料规格 Material specification:
 6.1. 端子: 铜合金
 Contact body: Copper alloy
 6.2. 外套: 不锈钢
 Outer spring: Stainless steel
 7. 符合ROHS
 ROHS compliant

	Amphenol Technical Products International GZ				
	第三角投影 THIRD ANGLE PROJECTION	页面 SHEET	幅面 SIZE	版次 REV.	比例 SCALE
签名 SIGNATURE	日期 DATE	UNLESS OTHERWISE SPECIFIED			DWG NO: HCTF21504
制图 DRAWN	JS	1) All dimensions are in metric(mm).	1 OF 1	A3	C
审核 CHECKED	YM	2) Tolerances are as follows:	1 PL DEC ±1.00	2 PL DEC ±0.50	3 PL DEC ±0.20
批准 APPROVAL	JL	Angles ±1°	CUST PART #: N/A		
					CUST REV. -

Mouser Electronics

Authorized Distributor

Click to View Pricing, Inventory, Delivery & Lifecycle Information:

[Amphenol:](#)

[HCTF21504](#)