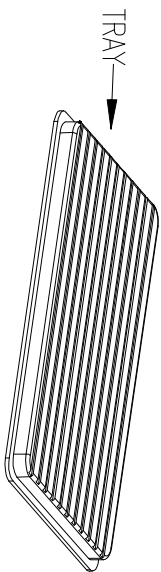


4.75*4.80*11.80

NOTES:

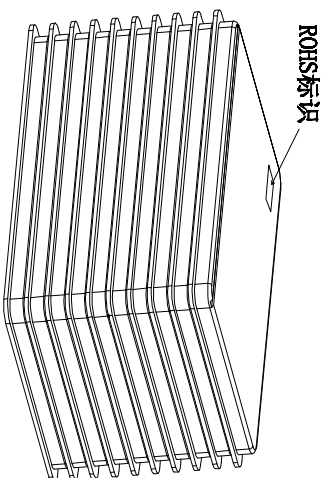
- *HOUSING:PBT+30%G/F color: Blue
- *CONTACT:BRASS T=0.3
- *SHELL: SPCC T=0.3
- *SCREW:SPCC
- *GROUNDING:SPCC T=0.5
- *.ELECTRIC CHARACTERISTICS:
 CONTACT CURRENT RATING: 3.0A MAX.;
 CONTACT VOLTAGE RATING:100V DC;
 CONTACT RESISTANCE: 30mΩ MAX.;
 DIELECTRIC WITHSTANDING VOLTAGE:500V AC/60S;
 INSULATION RESISTANCE: 1000 MΩ MIN.AT DC 500V.
- *.MECHANICAL CHARACTERISTICS:
 DURABILITY: 5000 CYCLES.
 INSERTION AND EXTRACTION FORCE:
 INSERTION FORCE: 50N MAX.
 EXTRACTION FORCE: 15N MIN.
- *.ENVIRONMENT CHARACTERISTICS:
 OPERATING TEMPERATURE: -25℃~+70℃
 HUMIDITY:45-85% RH.
- CONTACT:UNDER PLATED 50u" MIN Ni
 OVER ALL 100u" MIN TIN IN SOLDERING AREA OR
 CONTACT AREA
- SHELL: UNDER PLATED 50u" MIN Cu.over All 80u"
 MIN NICKEL
- SCREW: UNDER PLATED 50u" MIN Cu.OVER ALL
 80u" MIN NICKEL
- GROUNDING:UNDER PLATED 50u" MIN Cu.
 UNDER PLATED 50u" MIN NICKEL. OVER ALL
 100u" MIN TIN IN SOLDERING AREA.

连欣科技 Lian Xin Technology		深圳市连欣科技有限公司	
TOLERANCE: X.X ±0.30 X.XX ±0.25 X.XXX ±0.15 X.' ±2' X.X' ±0.5'	DRAWN BY : 林治	DATE : 2013-09-20	PART NAME: DB 15PIN 卧式插插+螺柱 DIP
	CHECKED BY: 黄毅	DATE : 2013-09-20	PART NO. XDDB-1518-0932
UNIT: mm [inch] SCALE:1:1 SIZE: A4	APPROVED BY:	DATE : 2013-09-20	DRAW NO: LX-DB13200932 SHEET NO. 1 OF 1

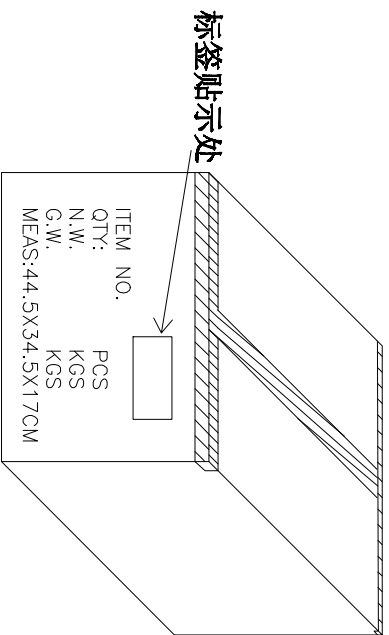


TRAY

共10层



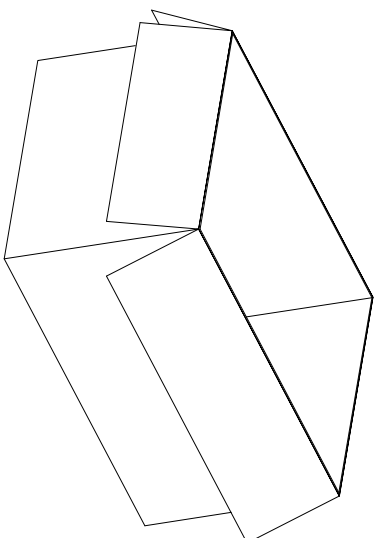
ROHS标识



ITEM NO.
QTY:
N.W.
G.W.
MEAS:44.5X34.5X17CM

PCS
KGS
KGS

标签贴示处



包装说明:

- 1.数量: 1盘=100Pcs,
一箱10盘=1000Pcs
一箱2叠=2000Pcs
- 2.每盘在左上角贴标签(按客户需求),每10盘为一叠,一箱两叠放入纸箱,加干燥剂;
- 3.包材脏污破损不可使用,包装过程中注意不可碰伤刮伤产品;
- 4.外箱材质为A=A,要求破裂强度为16Kg;



深圳市连欣科技有限公司

TOLERANCE: XX ±0.30 XXX ±0.25 XXXX ±0.15		DRAWN BY: 林治		DATE: 2013-09-20		PART NAME: DB 15PIN 卧式插插+螺母 DIP	
X' ±2' X' ±0.5'		CHECKED BY: 黄毅		DATE: 2013-09-20		MOLD NO. XDDB-1518-0932	
UNIT: mm [inch]		APPROVED BY:		DATE:		DRAW NO.: LX-DB13200932	
SCALE:1:1		SIZE: A4		DATE: 2013-09-20		SHEET NO. 2 OF 2	