

REV.	DESCRIPTION	APPD	DATE

A

B

C

E

F

A

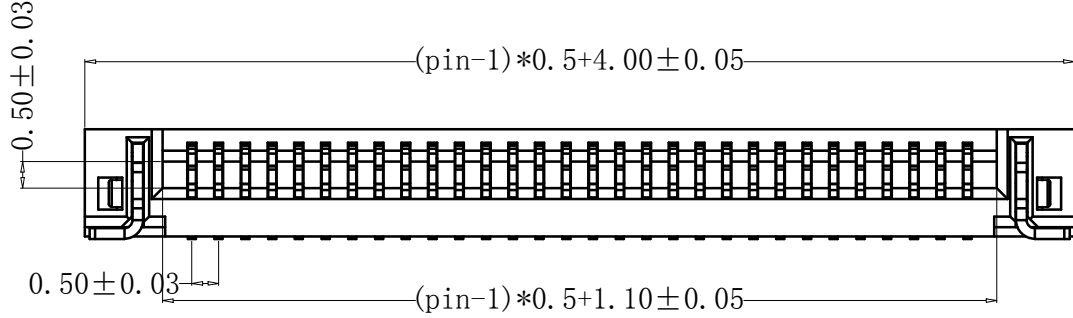
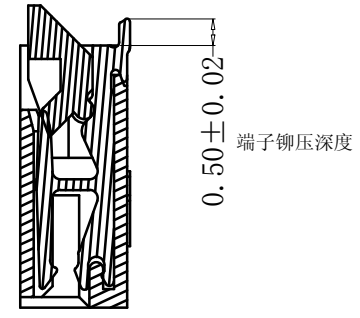
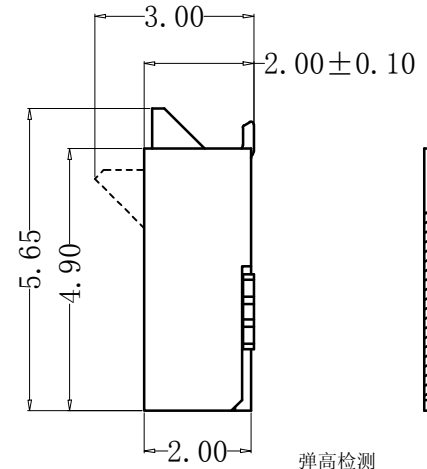
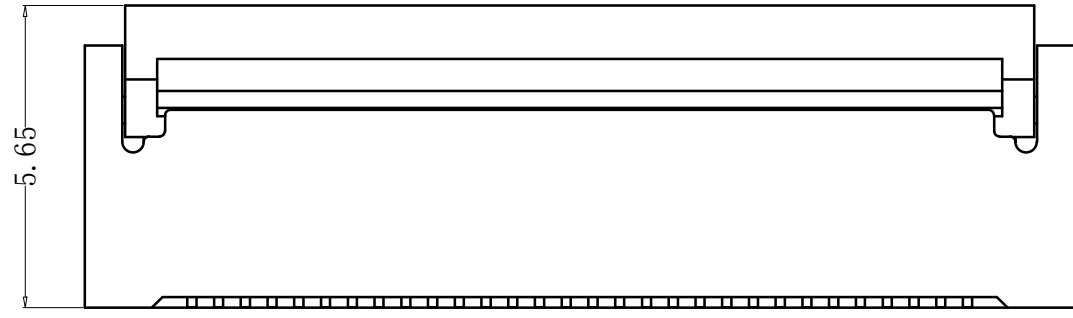
B

C

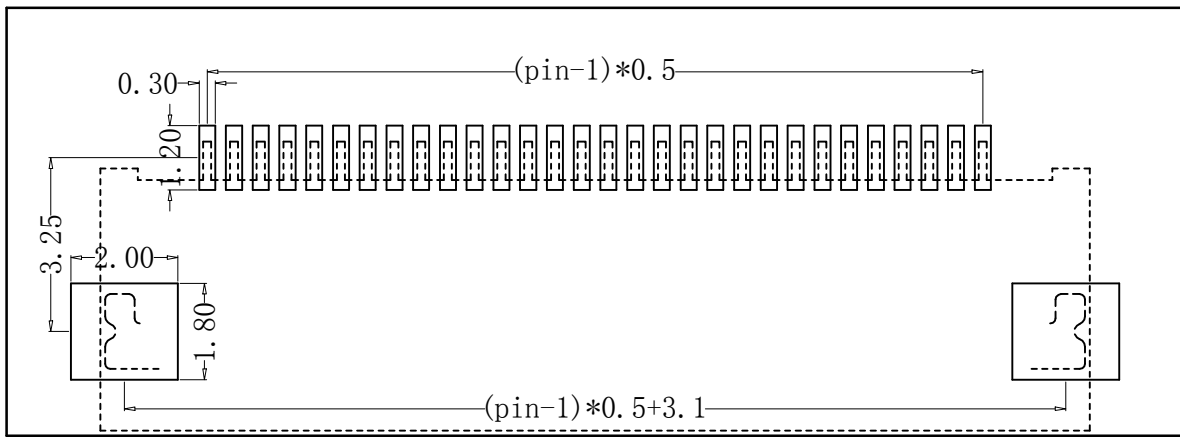
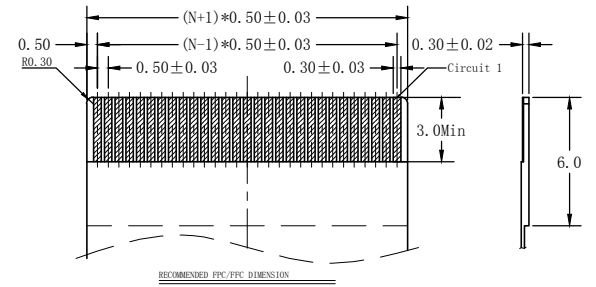
D

E

F



- NOTES:
- MATERIAL:
HOUSING: HIGH TEMPERATURE THERMOPLASTIC UL94V_0,COLOR:BLACK.
CONTACT: COPPER ALLOYS.
 - PLATING:
UNDERPLATE: NICKEL.
CONTACT AREA: TIN OVER NICKEL.
 - MULTIMEDIA CARD COMPATIBLE



PART NO:		MATERIAL:		
LOT NO:		FINSH:		
UNIT: MM	SIZE: A4	COLOR:		TITLE: 0.5间距 8Pin 后翻 卧贴 上下接 H2.0
TOLERANCES: X.X=±0.35 X.XX=±0.25 X.XXX=±0.15		GENERAL ANGLE: X.X=±3.0° X.XX=±2.0°		DR:
				CHK:
				APP:
		DWG NO: ZX-0.5FPC-HWSX-H2-8P	SCALE: 1:1	REV: C/O
		SHEET: 1 OF 1		