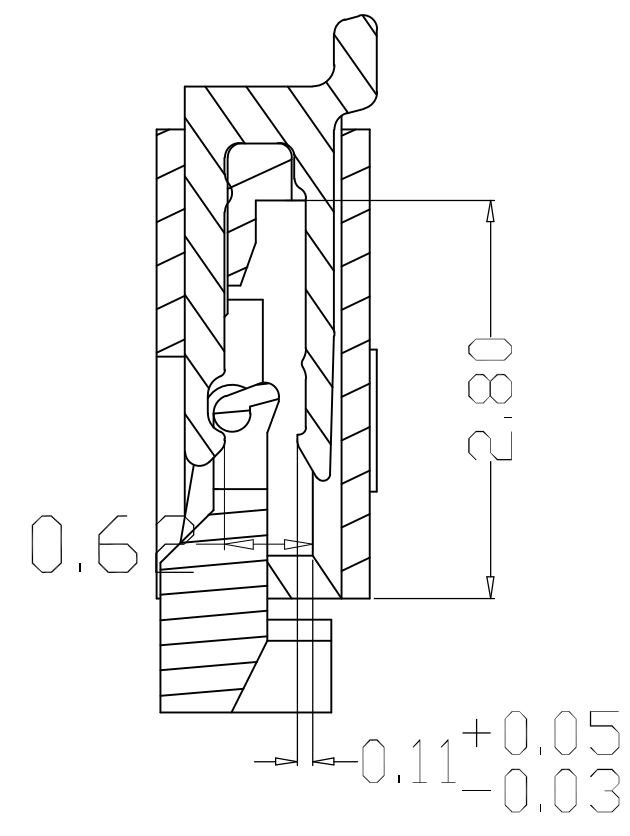
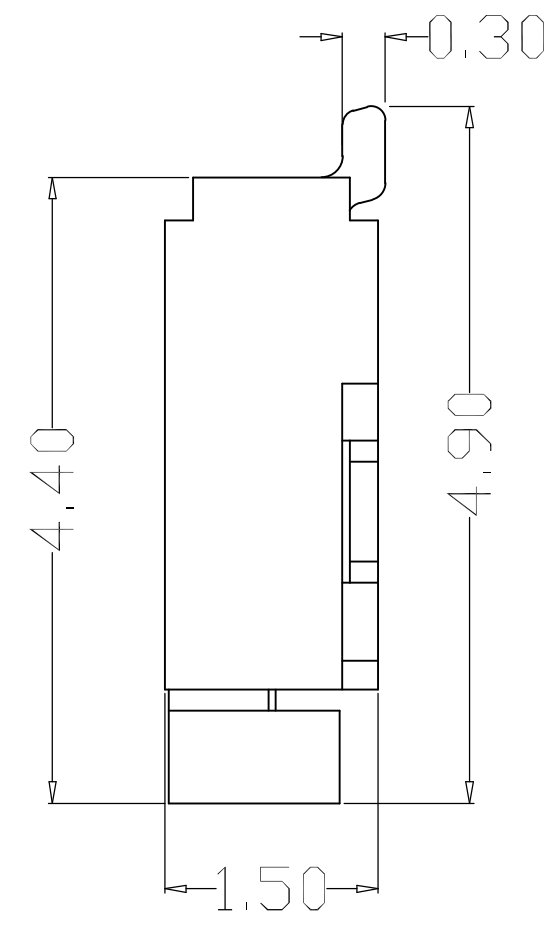
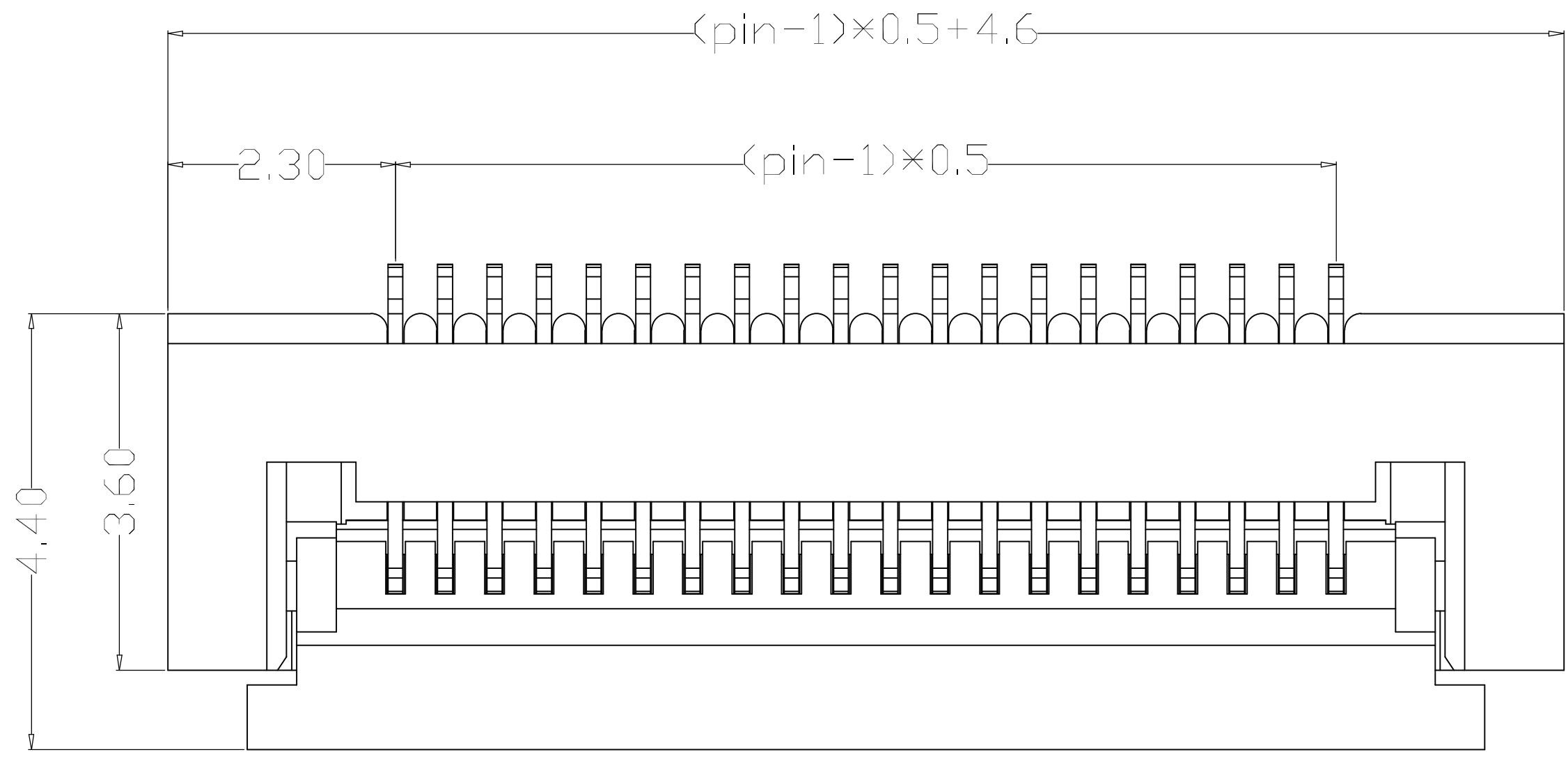
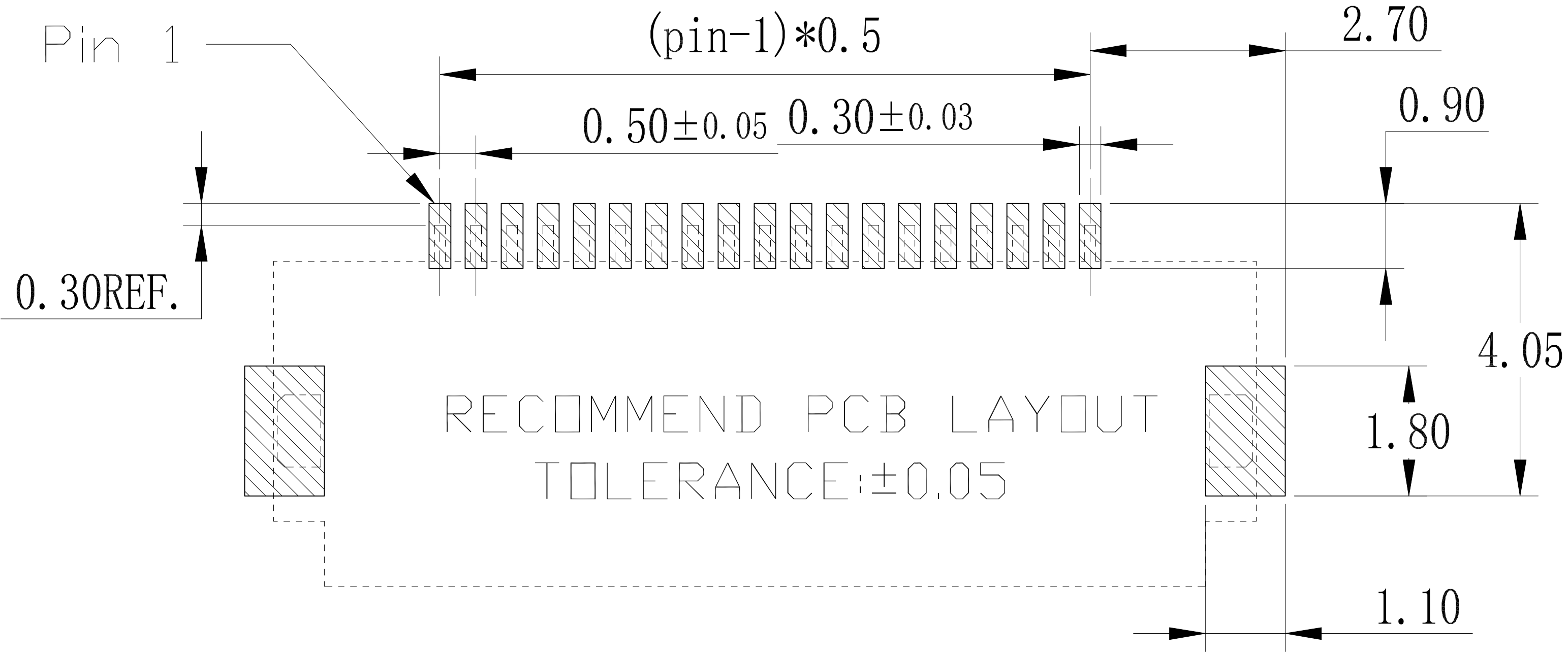
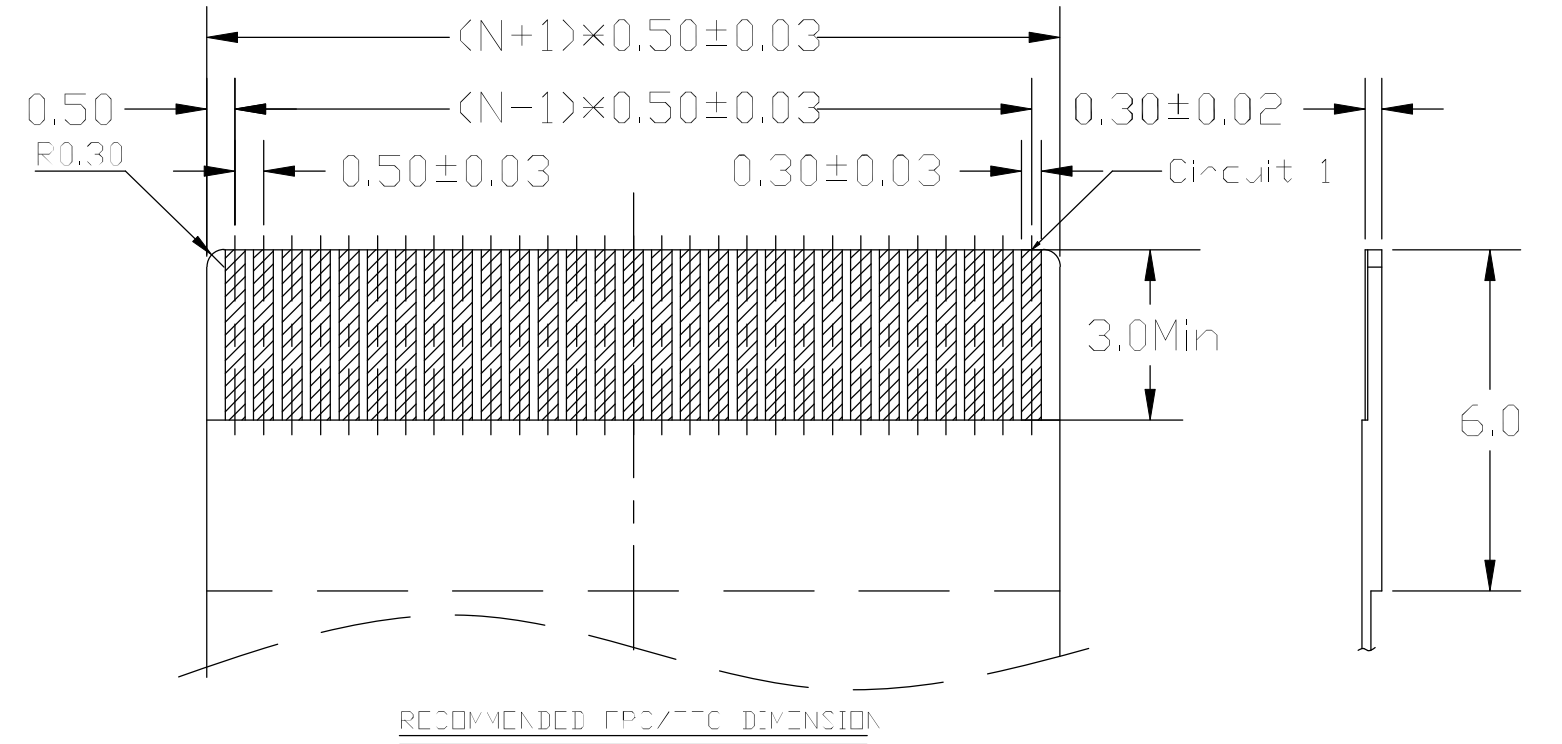
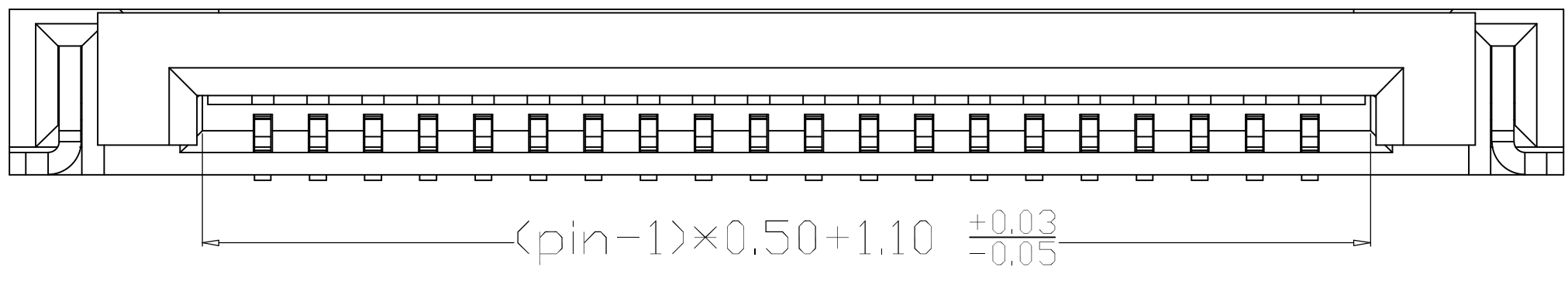


REV.	DESCRIPTION	APPD.	DATE



NOTES:

- MATERIAL:
HOUSING: HIGH TEMPERATURE THERMOPLASTIC
UL94V_0, COLOR:BLACK.
CONTACT: COPPER ALLOYS.
- PLATING:
UNDERPLATE: NICKEL.
CONTACT AREA: TIN OVER NICKEL.
- MULTIMEDIA CARD COMPATIBLE



PART NO:		MATERIAL:		
LOT NO:		FINISH:		
UNIT: MM	SIZE: A4	COLOR:		
TOLERANCES: X.X ± 0.35 X.XX ± 0.25 X.XXX ± 0.15		GENERAL ANGLE: X.X ± 3.0° X.XX ± 2.0°		TITLE: 0.5 24Pin 翻盖 卧贴 下接 H1.5
DR:		CHK:		DWG NO: ZX-0.5FPC-FWX-H1.5-24P
APP:		SCALE: 1:1		REV: C/0
		SHEET: 1 OF 1		