

修 订 REV NO	标 记 MARK	修 改 描 要 REVISION DESCRIPTION	签 名 SIGNATURE	日 期 DATE
		NEW DWG		2016-03-12

NOTE:

1. MATERIAL
 - 1.1. HOUSING: LCP ;COLOR:BLACK; UL94V-0
 - 1.2. CONTACT: COPPER ALLOY
 - 1.3. SHELL: SUS 304 T=0.20
2. FINISH:

CONTACT:

GOLD PLATING ON CONTACT AREA.

80u" SN PLATING ON SOLDER TAIL AREA,

50u" MIN. NICKEL UNDERPLATING OVERALL,
3. ELECTRICAL:

VOLTAGE RATING: 30VAC RMS;

CURRENT RATING: 2.0 A(pin1,5);1.0A(pin2,3,4)

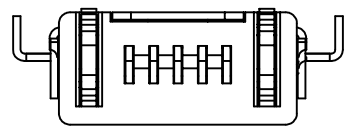
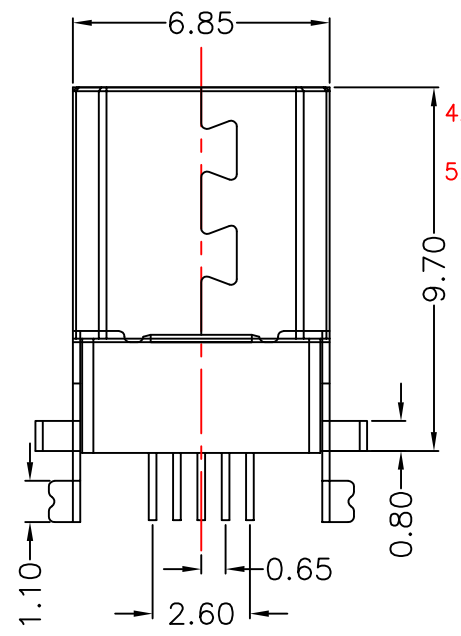
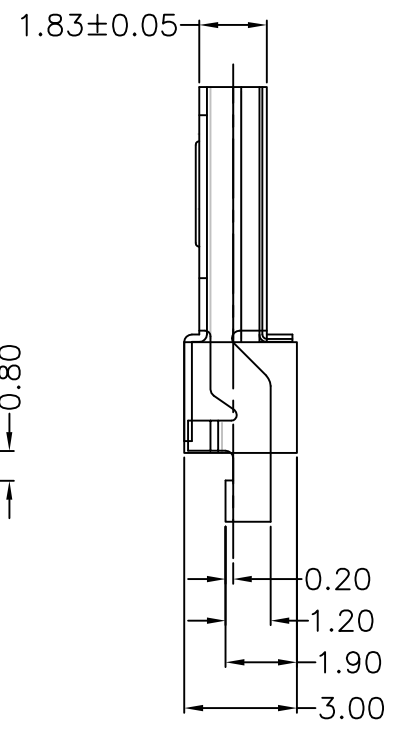
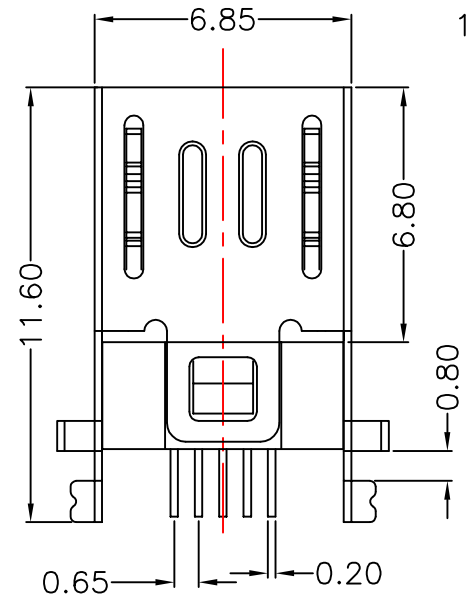
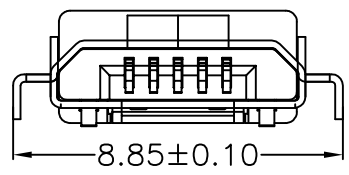
CONTACT RESISTANCE: 50 MILLIOHMS MAX;

INSULATION RESISTANCE: 100MEGOHMS MIN

DIELECTRIC WITHSTANDING VOLTAGE:500V AC FOR 1MINUTE
4. MECHANICAL:

OPERATING LIFE:5000YCKES
5. ENVIRONMENTAL:

OPERATING TEMPERATURE: -20°C TO 85°C.



		深圳市华德共创科技有限公司 Shenzhen Huade co-create Technology Co.,LTD 电话: 0755-23304126 传真: 0755-29940187						
-TOLERANCES- UNLESS OTHERWISE SPECIFIED 公差参数表				TITLE: 产品名称: MICRO公头贴板				
X.X	±0.30	X.X'	±3'	APPD: 核准:	PART NO: 产品编号: MICRO-ZD-103PWB			
X.XX	±0.20	X.XX'	±2'	CHECK: 校对: 王建业	DATE	SCALE	UNIT	CODE NUMBER
X.XXX	±0.10	X.XXX'	±1'	DRAW: 绘图: 黄艳兰	2016-03-12	1:1	mm	A001

由Autodesk教育版产品制作

由Autodesk教育版产品制作