

**Description**

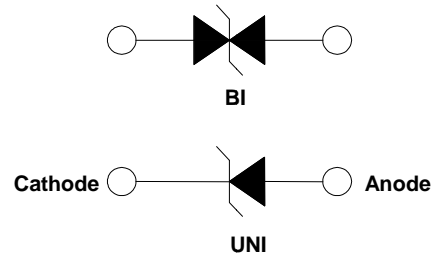
The P4KE series is designed specifically to protect sensitive electronic equipment from voltage transients induced by lightning and other transient voltage events.

**Features**

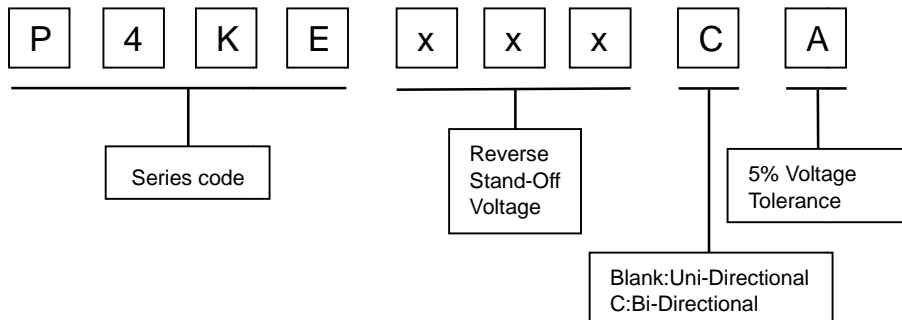
- I Fast response time
- I Matte tin lead-free Plated
- I Low incremental surge resistance
- I Halogen free and RoHS compliant
- I Typical  $I_R$  less than  $1\mu A$  above 10V
- I Compatible with industrial standard package DO-41
- I 400W peak pulse power capability with at 10/1000 $\mu s$  waveform, repetition rate (duty cycle): 0.01%
- I High temperature soldering guaranteed:260°C/10 seconds



**Electrical symbol**



**Part Number Code**



**Mechanical Characteristics**

Rating	Symbol	Value	Units
Peak Pulse Power Dissipation by 10x1000 $\mu s$ test Waveform (Fig.2)(Note1)	$P_{PP}$	400	W
Steady State Power Dissipation on infinite heat sink at $T_L=75^\circ C$ (Fig.6)	$P_D$	5.0	W
Peak Forward Surge Current, 8.3ms Single Half Sine Wave Unidirectional only (Note 2)	$I_{FSM}$	100	A
Maximum instantaneous forward voltage at 25A for unidirectional only	$V_F$	3.5/6.5	V
Operating junction and Storage Temperature Range.	$T_J, T_{STG}$	-55 to 150	$^\circ C$

Notes:

1. Non-repetitive current pulse , per Fig.4 and derated above  $T_A = 25^\circ C$  per Fig. 3.
2. Measured on 8.3ms single half sine wave or equivalent square wave, duty cycle=4 per minute maximum.



## Electrical Characteristics

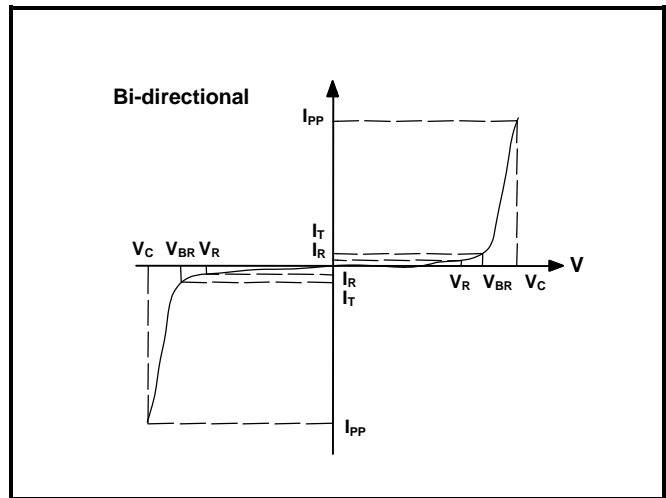
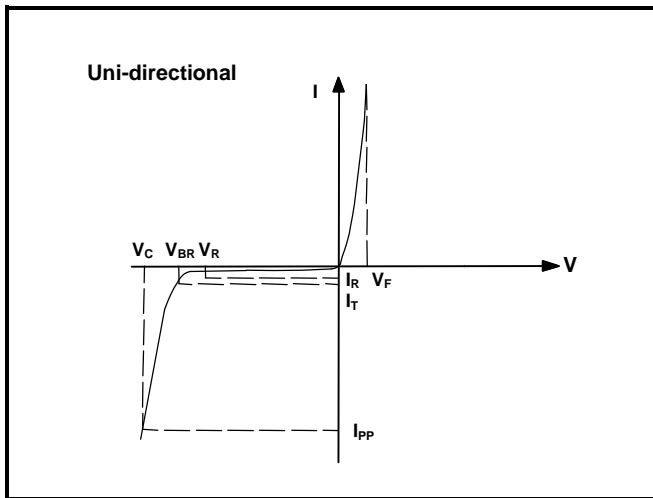
Type Number		Reverse Stand-Off Voltage	Breakdown Voltage		Test Current	Max. Clamping Voltage 10/1000µs	Max. Peak Pulse Current 10/1000µs	Reverse Leakage
			$V_{BR} @ I_T$					
		UNI	BI	$V_{RWM}$	Min	Max	$I_T$	$V_C @ I_{PP}$
		V	V	V	mA	V	A	µA
P4KE6.8A	P4KE6.8CA	5.80	6.45	7.14	10	10.5	39.0	300
P4KE7.5A	P4KE7.5CA	6.40	7.13	7.88	10	11.3	36.3	200
P4KE8.2A	P4KE8.2CA	7.02	7.79	8.61	10	12.1	33.9	100
P4KE9.1A	P4KE9.1CA	7.78	8.65	9.55	1	13.4	30.6	50
P4KE10A	P4KE10CA	8.55	9.50	10.50	1	14.5	28.3	10
P4KE11A	P4KE11CA	9.87	10.5	11.60	1	15.6	26.3	1
P4KE12A	P4KE12CA	10.71	11.4	12.60	1	16.7	24.6	1
P4KE13A	P4KE13CA	11.66	12.4	13.70	1	18.2	22.5	1
P4KE15A	P4KE15CA	13.44	14.3	15.80	1	21.2	19.3	1
P4KE16A	P4KE16CA	14.28	15.2	16.80	1	22.5	18.2	1
P4KE18A	P4KE18CA	16.07	17.1	18.90	1	25.5	16.1	1
P4KE20A	P4KE20CA	17.96	19.0	21.00	1	27.7	14.8	1
P4KE22A	P4KE22CA	19.74	20.9	23.10	1	30.6	13.4	1
P4KE24A	P4KE24CA	21.53	22.8	25.20	1	33.2	12.3	1
P4KE27A	P4KE27CA	24.26	25.7	28.40	1	37.5	10.9	1
P4KE30A	P4KE30CA	26.88	28.5	31.50	1	41.4	9.9	1
P4KE33A	P4KE33CA	29.61	31.4	34.70	1	45.7	9.0	1
P4KE36A	P4KE36CA	32.34	34.2	37.80	1	49.9	8.2	1
P4KE39A	P4KE39CA	34.97	37.1	41.00	1	53.9	7.6	1
P4KE43A	P4KE43CA	38.64	40.9	45.20	1	59.3	6.9	1
P4KE47A	P4KE47CA	42.21	44.7	49.40	1	64.8	6.3	1
P4KE51A	P4KE51CA	45.78	48.5	53.60	1	70.1	5.8	1
P4KE56A	P4KE56CA	50.19	53.2	58.80	1	77.0	5.3	1
P4KE62A	P4KE62CA	55.65	58.9	65.10	1	85.0	4.8	1
P4KE68A	P4KE68CA	61.01	64.6	71.40	1	92.0	4.5	1
P4KE75A	P4KE75CA	67.31	71.3	78.80	1	103.0	4.0	1
P4KE82A	P4KE82CA	73.61	77.9	86.10	1	113.0	3.6	1
P4KE91A	P4KE91CA	81.69	86.5	95.50	1	125.0	3.3	1
P4KE100A	P4KE100CA	89.78	95.0	105.00	1	137.0	3.0	1
P4KE110A	P4KE110CA	98.70	105.0	116.00	1	152.0	2.7	1
P4KE120A	P4KE120CA	107.10	114.0	126.00	1	165.0	2.5	1
P4KE130A	P4KE130CA	116.55	124.0	137.00	1	179.0	2.3	1



**Electrical Characteristics**

Type Number		Reverse Stand-Off Voltage	Breakdown Voltage		Test Current	Max. Clamping Voltage 10/1000µs	Max. Peak Pulse Current 10/1000µs	Reverse Leakage
			$V_{BR} @ I_T$					
		UNI	BI	$V_{RWM}$	Min	Max	$I_T$	$V_C @ I_{PP}$
		V	V	V	mA	V	A	µA
P4KE150A	P4KE150CA	134.40	143.0	158.00	1	207.0	2.0	1
P4KE160A	P4KE160CA	142.80	152.0	168.00	1	219.0	1.9	1
P4KE170A	P4KE170CA	152.25	162.0	179.00	1	234.0	1.8	1
P4KE180A	P4KE180CA	161.70	171.0	189.00	1	246.0	1.7	1
P4KE200A	P4KE200CA	179.55	190.0	210.00	1	274.0	1.5	1
P4KE220A	P4KE220CA	194.25	209.0	231.00	1	328.0	1.3	1
P4KE250A	P4KE250CA	224.70	237.0	263.00	1	344.0	1.2	1
P4KE300A	P4KE300CA	268.80	285.0	315.00	1	414.0	1.0	1
P4KE350A	P4KE350CA	315.00	332.0	368.00	1	482.0	0.85	1
P4KE400A	P4KE400CA	359.10	380.0	420.00	1	548.0	0.75	1
P4KE440A	P4KE440CA	394.80	418.0	462.00	1	602.0	0.68	1

**I-V Curve Characteristics**



$P_{PPM}$  Peak Pulse Power Dissipation -- Max power dissipation

$V_R$  Stand-off Voltage -- Maximum voltage that can be applied to the TVS without operation

$V_{BR}$  Breakdown Voltage -- Maximum voltage that flows though the TVS at a specified test current ( $I_T$ )

$V_C$  Clamping Voltage -- Peak voltage measured across the TVS at a specified  $I_{ppm}$  (peak impulse current)

$I_R$  Reverse Leakage Current – Current measured at  $V_R$

$V_F$  Forward Voltage Drop for Uni-directional

Ratings and Characteristic Curves ( $T_A=25^\circ\text{C}$  unless otherwise noted)

Figure 1 - TVS Transients Clamping Waveform

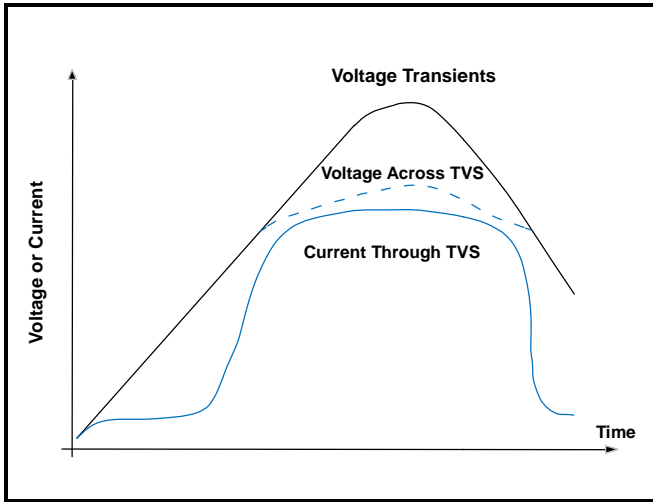


Figure 2 - Peak Pulse Power Rating Curve

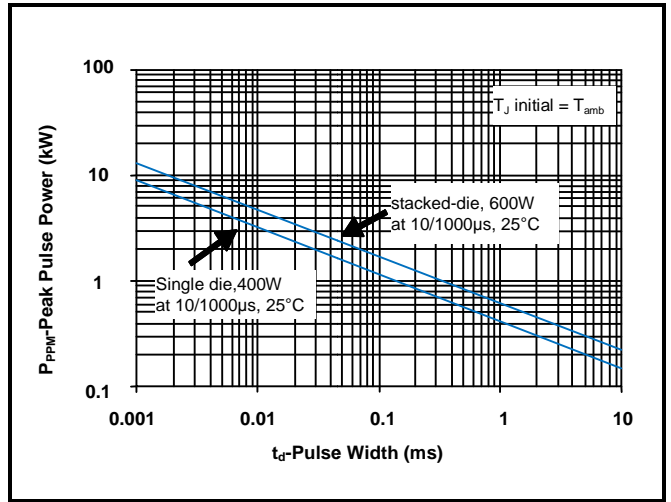


Figure 3 - Pulse Derating Curve

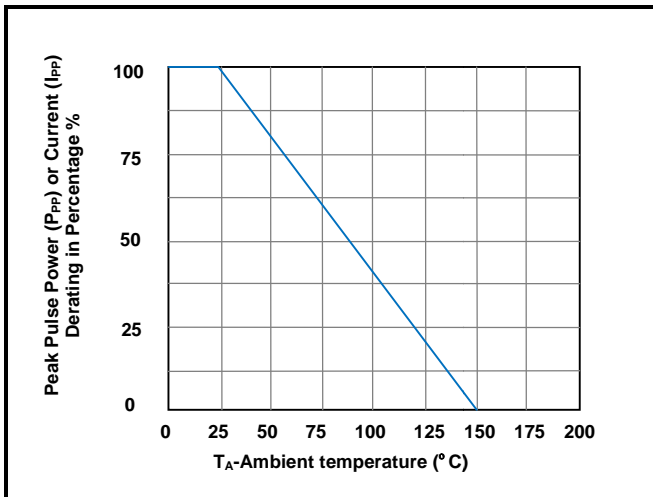


Figure 4 - Pulse Waveform

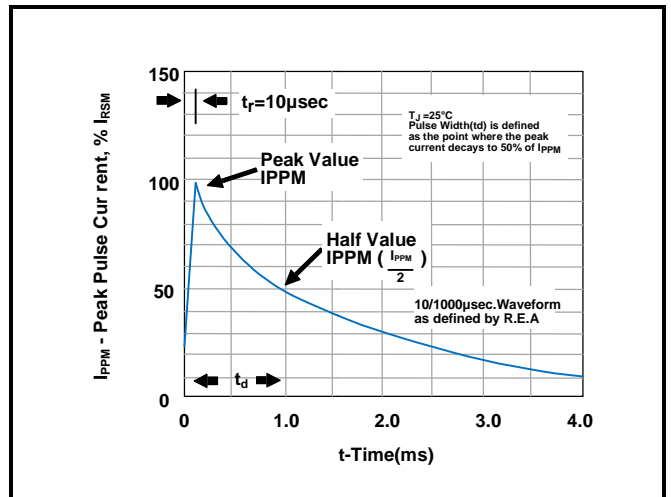


Figure 5 - Typical Junction Capacitance

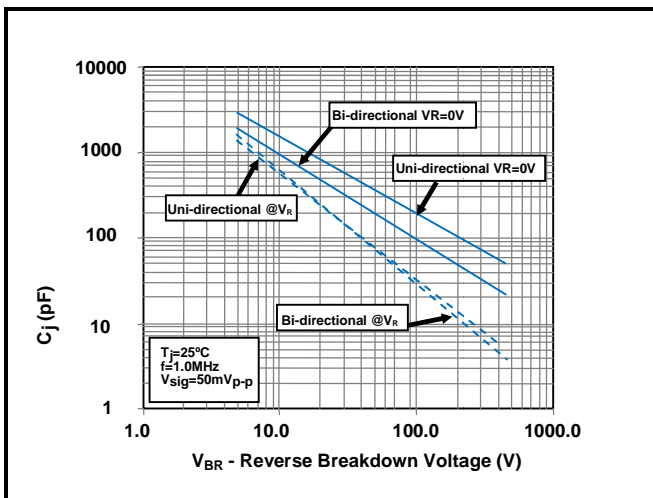


Figure 6 - Steady State Power Derating Curve

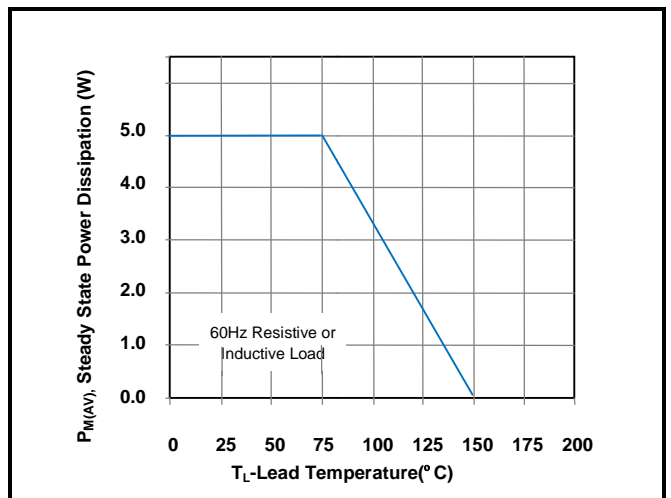
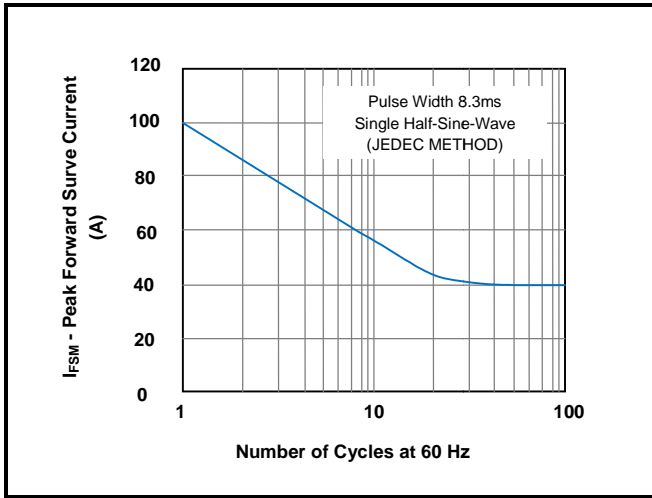
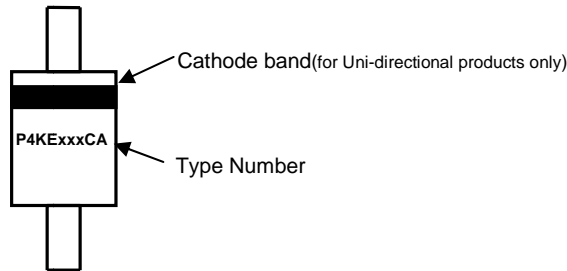


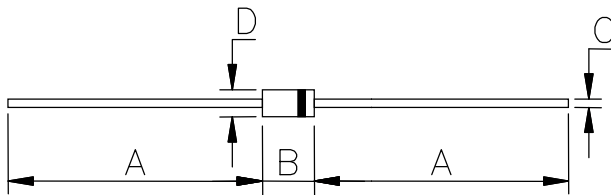
Figure 7 - Maximum Non-Repetitive Surge Current



Part Marking System



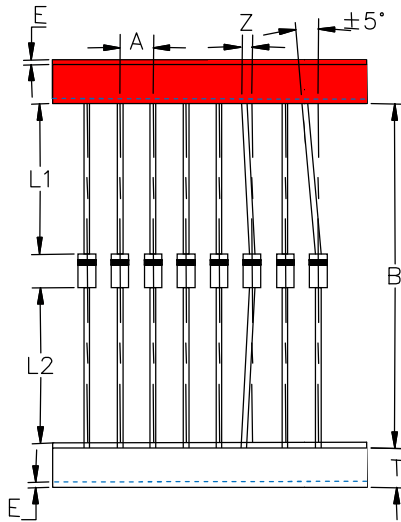
Dimensions



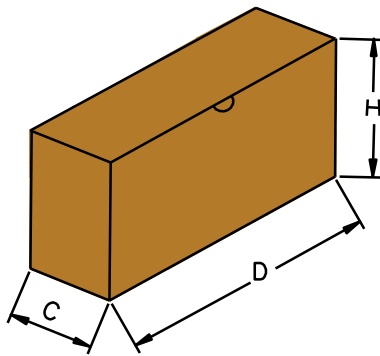
DIM	Millimeters		Inches	
	Min	Max	Min	Max
A	25.40	-	1.000	-
B	4.20	5.20	0.165	0.205
C	0.70	0.90	0.028	0.035
D	2.00	2.70	0.079	0.106



Packaging Information



Symbol	Millimeters	Inches
A	5.08±0.5	0.2±0.019
B	53.0±1.0	2.087±0.039
Z	1.2Max	0.047 Max
T	6.0±0.4	0.236±0.015
E	0.8Max	0.031 Max
L1-L2	1.0Max	0.039 Max



Symbol	Millimeters	Inches
D	250.0±5.0	9.843±0.197
C	75.0±5.0	2.953±0.197
H	114.0±5.0	4.488±0.197
Quantity	3000PCS / inner box	

