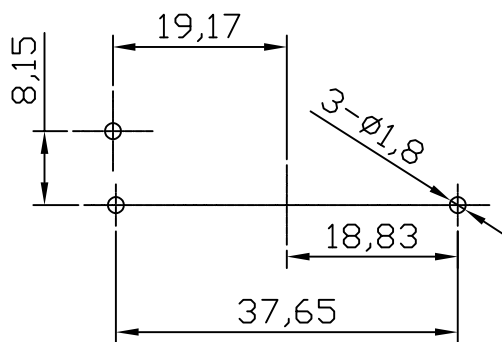
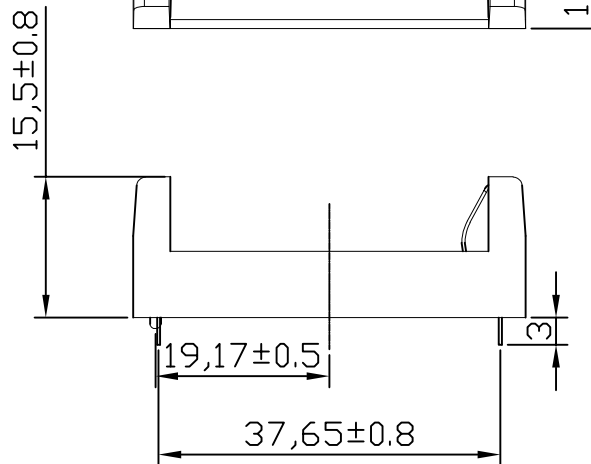
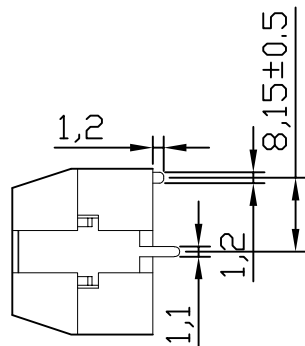
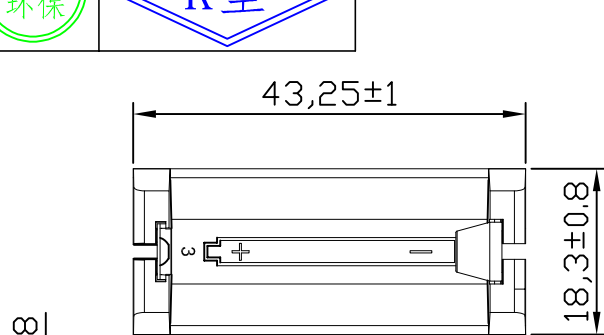
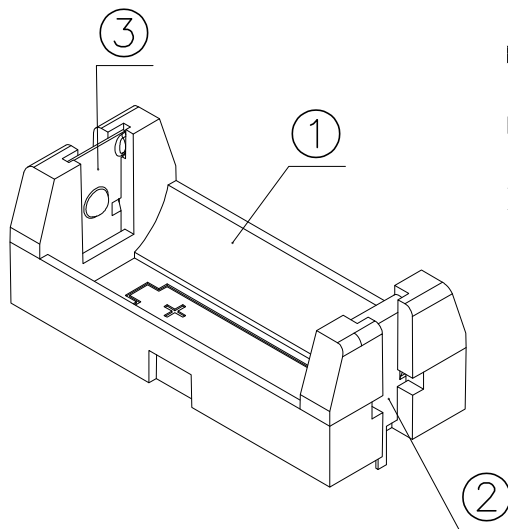




REV.	ECN NO.	REVISED	DATE



PCB Layout Diagram  
Top View



NOTE:

- 1.MATERIAL:  
 a.HOUSING:HEAT RESISTANT NYLON UL94V-0  
 b.CONTACT:SUS304, T=0.35MM  
 (SURFACE PLATING: NICKEL PLATING)  
 SEE ORDERING INFORMATION
- 2.ELECTRIC:  
 a.DIELECTNIC VOLTAGE: 500V AC ONE MINUTE  
 b.OPERATING TEMPERATURE: -25°C~ +80°C

ORDERING INFORMATION  
 BH-123A-A5BJ005

电池盒

电池型号

DIP 90° TYPE

PLATING:  
 A-Au PLATING  
 J-Ni PLATING  
 K-Sn PLATING

MATERIAL:  
 1A-PP BLACK  
 1B-PA66 BLACK  
 2A-PPA BROWN  
 2B-PPA BLACK  
 3A-PPS BROWN  
 3B-PPS BLACK  
 4A-LCP WHITE  
 4B-LCP BLACK  
 5A-PA9T BLACK  
 5B-HEAT RESISTANT  
 NYLON BLACK



3	TERMINAL+	1	SUS304, T=0.35MM	Ni-Plating
2	TERMINAL-	1	SUS304, T=0.35MM	Ni-Plating
1	HOUSING	1	HEAT RESISTANT NYLON	BLACK
NO.	PART NAME	Q'TY	MATERIAL	PLATING & COLOR

UNLESS OTHERWISE SPECIFIED TOLERANCES		<b>MYOUNG 美用</b> <a href="http://www.meiyangdz.com">www.meiyangdz.com</a>			
DECIMALS: X :±0.30 X.X :±0.25 X.XX :±0.20 X.XXX :±0.10	ANGLES: X :±1° X.X :±0.5°	DSND	YangFeng	DATE	2023-04-26
WEIGHT:		CHKD	ZhouRuicai	DATE	2023-04-26
SHEET 1 OF 1		APVD	XueShunyong	DATE	2023-04-26
SCALE:		SIZE: A4		VIEW:	
UNIT: mm		REV.:	A/1	OBJECT:	MY
TITLE:		电池盒BH-123A-1J Ni DIP 防呆			
PART NO.:		BH-123A-A5BJ005			
DRAW NO.:		WD-CP-0248			