



REV.	ECN NO.	REVISED	DATE

NOTE:

1.MATERIAL:

- a.HOUSING:LCP UL94V-0
- b.CONTACT:PHOSPHOR BRONZE
(SURFACE PLATING: Au1u")

SEE ORDERING INFORMATION

2.ELECTRIC:

- a.CONTACT RESISTANCE: 30 MILLIOHMS MAX
- b.INSULATION RESISTANCE: 100 MEGA OHMS MIN
- c.DIELECTNIC VOLTAGE: 500V AC ONE SEC LEVEL
- d.OPERATING TEMPERATURE: -25°C~ +85°C

ORDERING INFORMATION

BS-24-B***014

电池座系列

BS-24系列

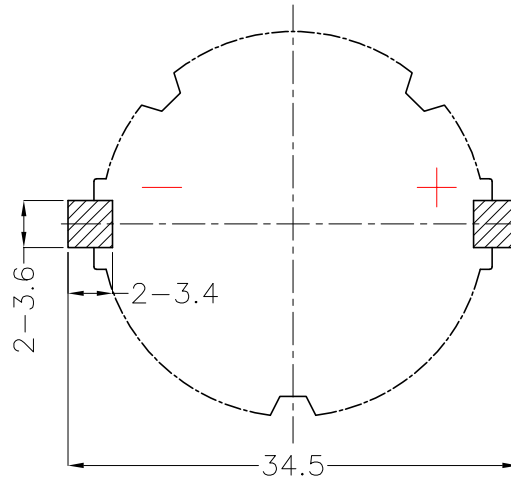
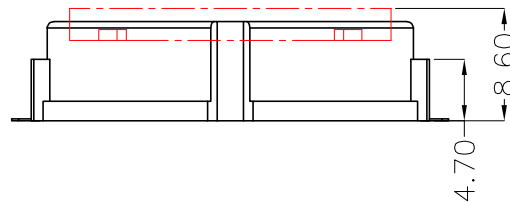
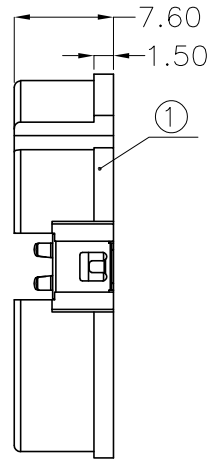
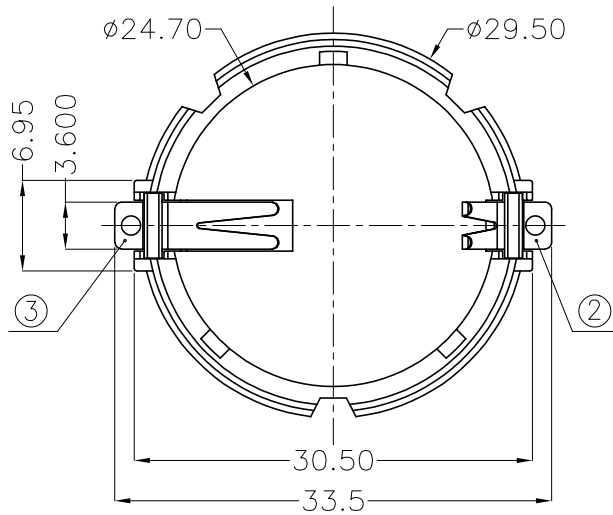
SMT 180° TYPE

PLATING:

- A-Au1U"
- J-Ni100U"~120U"
- K-Sn100U"~120U"

MATERIAL:

- 1A-PBT BLACK
- 1B-PA66 BLACK
- 2A-PPA BROWN
- 2B-PPA BLACK
- 3A-PPS BROWN
- 3B-PPS BLACK
- 4A-LCP WHITE
- 4B-LCP BLACK



PCB Layout Diagram
Top View



NO.	PART NAME	Q'TY	MATERIAL	PLATING & COLOR
③	TERMINAL(-)	1	PHOSPHOR BRONZE, T=0.20mm	Au-Plating
②	TERMINAL(+)	1	PHOSPHOR BRONZE, T=0.20mm	Au-Plating
①	HOUSING	1	LCP	WHITE

UNLESS OTHERWISE SPECIFIED TOLERANCES		MYOUNG 美用 www.meiyangdz.com			
DECIMALS: X :±0.30 X.X :±0.25 X.XX :±0.20 X.XXX :±0.10	ANGLES: X :±1° X.X :±0.5°	DSND	YangFeng	DATE	2022-03-26
		CHKD	ZhouRuicai	DATE	2022-03-26
		APVD	XueShunyong	DATE	2022-03-26
		WEIGHT: 4.72g		TITLE:	
		SHEET 1 OF 1		BS-2450-4 Au SMT LCP白色	
		SCALE:1.5:1	SIZE: A4	VIEW:	PART NO.:
		UNIT: mm	REV.: A/0	OBJECT: MY	BS-24-B4AA014
				DRAW NO.:	MY-CP-0246