



REV.	ECN NO.	REVISED	DATE

NOTE:

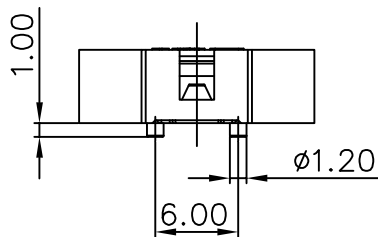
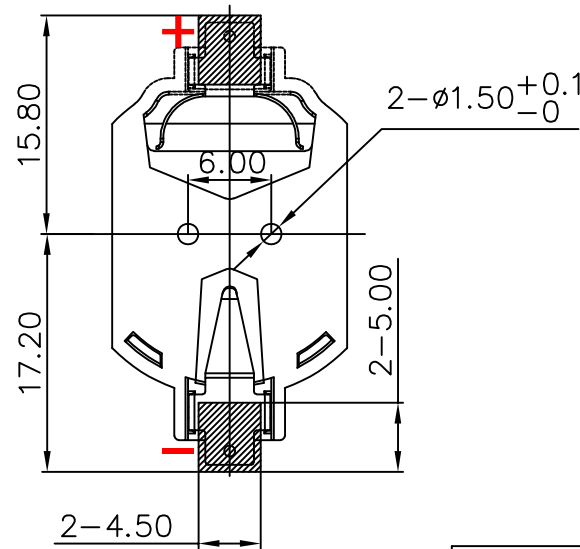
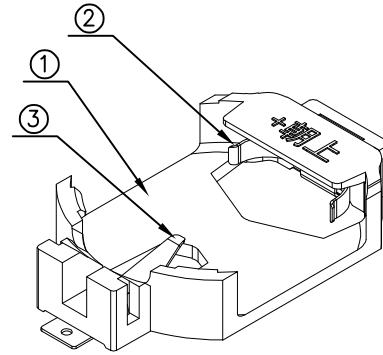
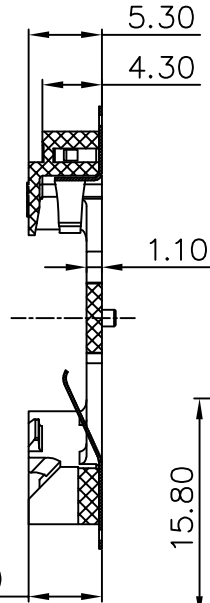
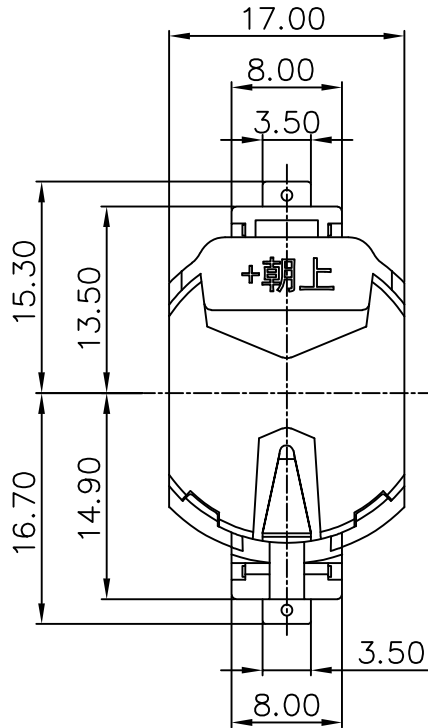
1.MATERIAL:

- a.HOUSING:PPA WHITE
- b.CONTACT:PHOSPHOR BRONZE
(SURFACE PLATING: Au1u")

SEE ORDERING INFORMATION

2.ELECTRIC:

- a.CONTACT RESISTANCE: 30 MILLIOHMS MAX
- b.INSULATION RESISTANCE: 100 MEGA OHMS MIN
- c.DIELECTNIC VOLTAGE: 500V AC FOR ONE MINUTE
- d.OPERATING TEMPERATURE: -25°C~ +85°C



ORDERING INFORMATION

BS-15-B2CA001

电池座系列

BS-15 系列

SMT 180° TYPE

PLATING:

- A-Au1U"
- A1-Au1.3U"
- A2-Au for salt test 72H
- A3-Au5U"
- J-Ni100U"~120U"
- K-Sn100U"~120U"
- K2-Sn60U"~120U" 高温锡

MATERIAL:

- 1A-PBT BLACK
- 1B-PA66 BLACK
- 2A-PPA BROWN
- 2B-PPA BLACK
- 2C-PPA WHITE
- 2D-PPA ADJUSTED COLOR
- 3A-PPS BROWN
- 3B-PPS BLACK
- 3C-PPS ADJUSTED COLOR
- 4A-LCP WHITE
- 4B-LCP BLACK
- 5A-PA9T BLACK



PCB Layout Diagram
Bottom View

UNLESS OTHERWISE SPECIFIED TOLERANCES		MYOUNG 美用 www.meiyangdz.com			
DECIMALS: X :±0.30 X.X :±0.25 X.XX :±0.20 X.XXX :±0.10	ANGLES: X :±1° X.X :±0.5°	DSND	Lieqinghuang	DATE	2023-06-26
		CHKD	ZhouRuicai	DATE	2023-06-26
		APVD	XueShunyong	DATE	2023-06-26
WEIGHT:		SCALE:	SIZE: A4	VIEW:	⊙ ⊚
SHEET 1 OF 1		UNIT: mm	REV.: A/0	OBJECT: MY	DRAW NO.:MY-CP-0357
		TITLE:		BS-2032-15 Au SMT PPA白色	
		PART NO.:		BS-15-B2CA001	

3	TERMINAL-	1	C5191 T=0.2mm	Au(1u")-Plating
2	TERMINAL+	1	C5191 T=0.2mm	Au(1u")-Plating
1	HOUSING	1	PPA	WHITE
NO.	PART NAME	Q'TY	MATERIAL	PLATING & COLOR