



REV.	ECN NO.	REVISED	DATE

NOTE:

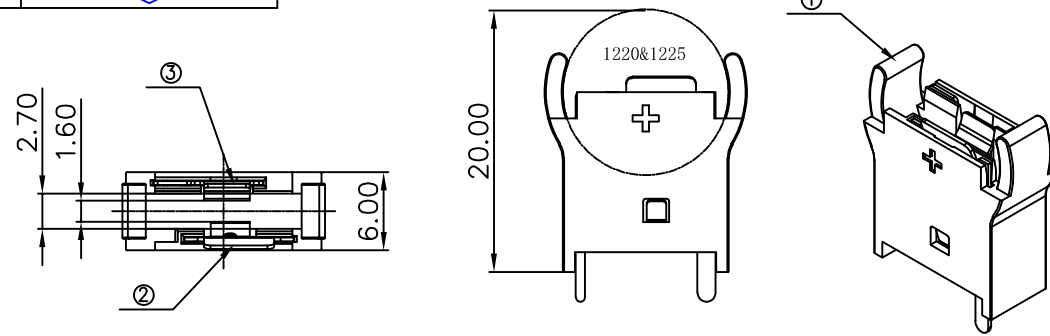
1.MATERIAL:

- a.HOUSING: PA66 UL94 V-0
- b.CONTACT: BRASS  
(SURFACE PLATING: Au1U")

SEE ORDERING INFORMATION

2.ELECTRIC:

- a.CONTACT RESISTANCE: 30 MILLIOHMS MAX
- b.INSULATION RESISTANCE: 100 MEGA OHMS MIN
- c.DIELECTNIC VOLTAGE: 500V AC ONE MINUTE
- d.OPERATING TEMPERATURE: -25°C~ +85°C



ORDERING INFORMATION

BS-12-A1BA001

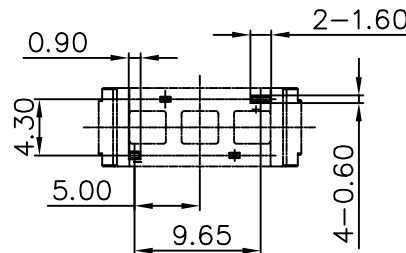
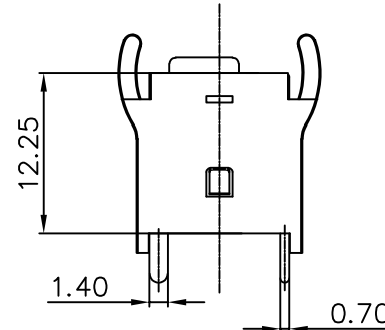
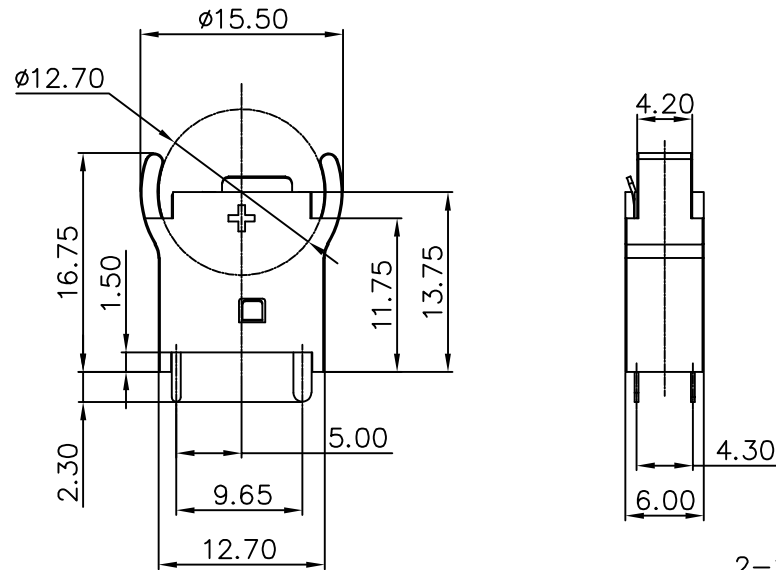
电池座系列

BS-12系列

DIP 90° TYPE

PLATING:  
A-Au1U"  
J-Ni100U"~120U"  
K-Sn100U"~120U"

MATERIAL:  
1A-PBT BLACK  
1B-PA66 BLACK  
2A-PPA BROWN  
2B-PPA BLACK  
3A-PPS BROWN  
3B-PPS BLACK  
4A-LCP WHITE  
4B-LCP BLACK



PCB Layout Diagram  
BOTTOM View



UNLESS OTHERWISE SPECIFIED TOLERANCES		<b>MYOUNG 美阳</b> <a href="http://www.meiyangdz.com">www.meiyangdz.com</a>			
DECIMALS: X :±0.30 X.X :±0.25 X.XX :±0.20 X.XXX :±0.10	ANGLES: X :±1° X.X :±0.5°	DSND	YangFeng	DATE	2023-06-05
		CHKD	ZhouRuicai	DATE	2023-06-05
		APVD	XueShunYong	DATE	2023-06-05
		WEIGHT:	SCALE:	SIZE: A4	VIEW:
		SHEET 1 OF 1	UNIT: mm	REV.: A/0	OBJECT: MY
		TITLE:		BS-1220&1225-3 Au DIP 双侧针	
		PART NO.:		BS-12-A1BA001	
		DRAW NO.:MY-CP-0354			

3	TERMINAL(-)	1	BRASS T=0.3MM	Au-Plating
2	TERMINAL(+)	1	BRASS T=0.3MM	Au-Plating
1	HOUSING	1	PA66 UL94V-0	BLACK
NO.	PART NAME	Q'TY	MATERIAL	PLATING & COLOR