



REV.	ECN NO.	REVISED	DATE

NOTE:

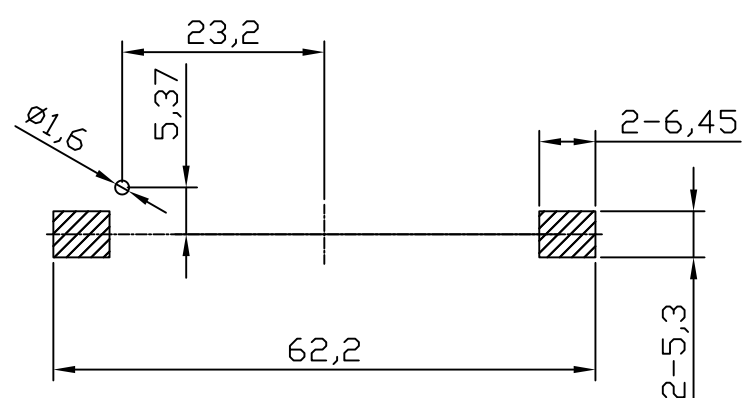
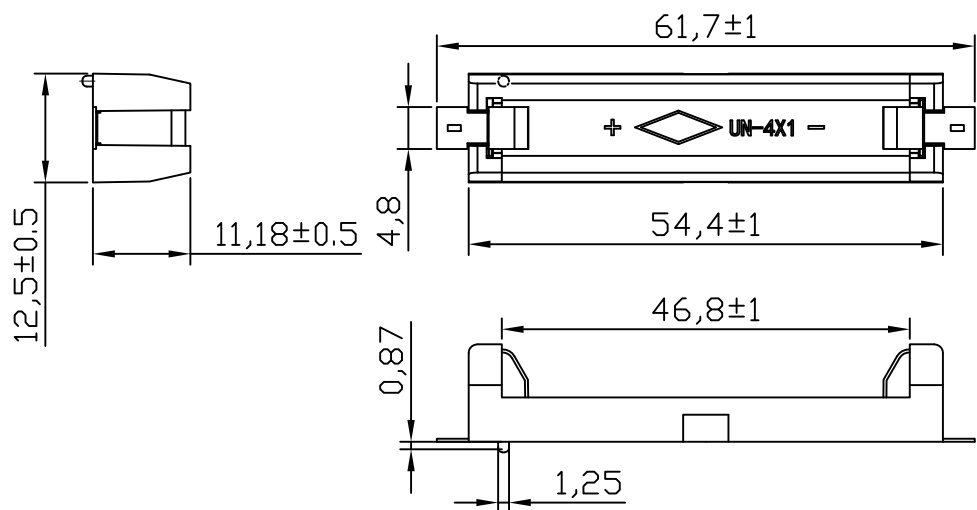
1.MATERIAL:

- a.HOUSING:NYLON BLACK
- b.CONTACT:PHOSPHOR BRONZE  
(SURFACE PLATING: Au 1U")

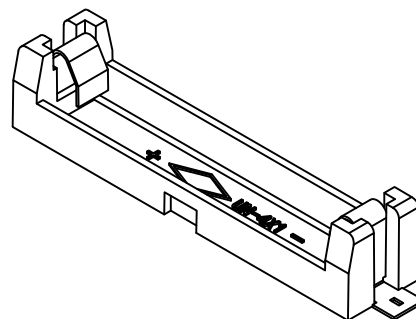
SEE ORDERING INFORMATION

2.ELECTRIC:

- a.DIELECTRIC VOLTAGE: 500V AC ONE SEC LEVEL
- b.OPERATING TEMPERATURE: -25° C~ +85° C



PCB Layout Diagram  
Bottom View



ORDERING INFORMATION

**BH-AAA-B\*\*\*021**

电池盒

电池型号

SMT 180° TYPE

PLATING:

- A-Au1U"
- J-Ni100U"~120U"
- K-Sn100U"~120U"

MATERIAL:

- 1A-PBT BLACK
- 1B-PA66 BLACK
- 2A-PPA BROWN
- 2B-PPA BLACK
- 3A-PPS BROWN
- 3B-PPS BLACK
- 4A-LCP WHITE
- 4B-LCP BLACK
- 5A-PA9T BLACK
- 5B-NYLON BLACK



UNLESS OTHERWISE SPECIFIED TOLERANCES		<b>MYOUNG 美阳</b> <a href="http://www.meiyangdz.com">www.meiyangdz.com</a>	
DECIMALS: X :±0.30 X.X :±0.25 X.XX :±0.20 X.XXX :±0.10	ANGLES: X :±1° X.X :±0.5°	DSND YangFeng	DATE 2021-09-01
WEIGHT:		CHKD ZhouRuicai	DATE 2021-09-01
SHEET 1 OF 1		APVD XueShunyong	DATE 2021-09-01
SCALE:		SIZE: A4	VIEW:
UNIT: mm		REV.: A/0	OBJECT: MY
TITLE:		TITLE: 电池盒BH-AAA-1J Au SMT	
PART NO.:		PART NO.: BH-AAA-B5BA021	
DRAW NO.:		DRAW NO.:MY-CP-0165	

2	TERMINAL	4	PHOSPHOR BRONZE, T=0.3mm	Au-Plating
1	HOUSING	1	NYLON	BLACK
NO.	PART NAME	Q'TY	MATERIAL	PLATING & COLOR