



|      |         |         |      |
|------|---------|---------|------|
| REV. | ECN NO. | REVISED | DATE |
|      |         |         |      |

NOTE:

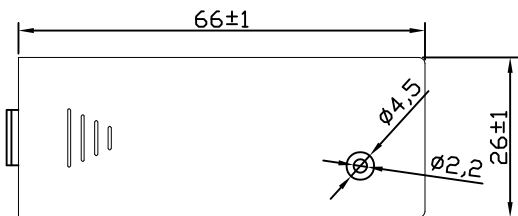
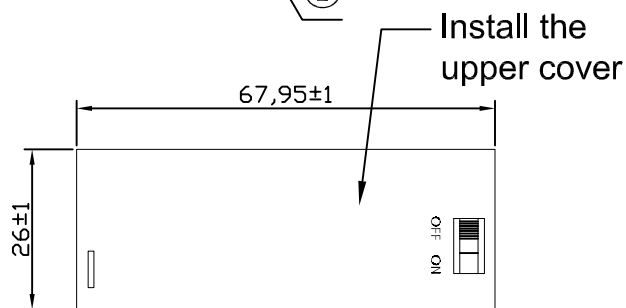
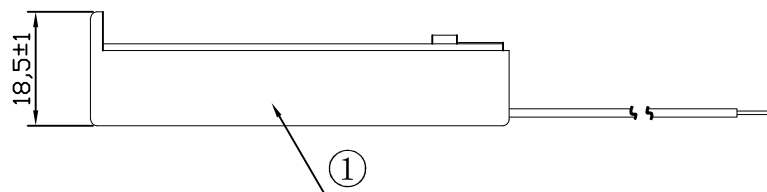
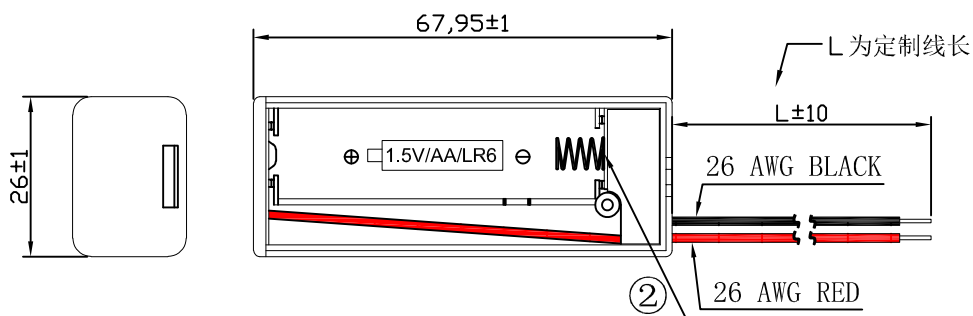
1.MATERIAL:

- a.HOUSING:ABS BLACK
- b.SPRING:MUSIC WIRE  
(SURFACE PLATING: Ni100u"~120u")

SEE ORDERING INFORMATION

2.ELECTRIC:

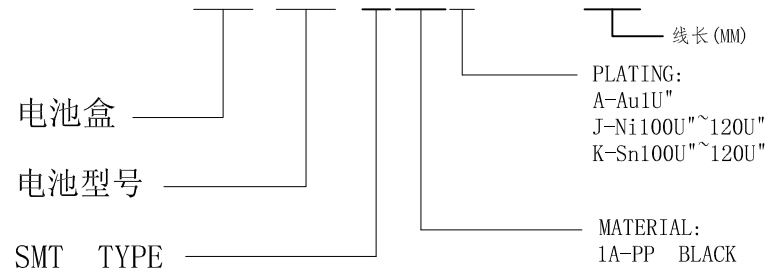
- a.DIELECTRIC VOLTAGE: 270V AC ONE SEC LEVEL
- b.OPERATING TEMPERATURE: -10° C~ +100° C



COVER

### ORDERING INFORMATION

## BH-AA-B5BJ039-XX



|     |           |      |                   |                 |
|-----|-----------|------|-------------------|-----------------|
| 2   | SPRING    | 6    | MUSIC WIRE φ0.5MM | Ni-Plating      |
| 1   | HOUSING   | 2    | ABS               | BLACK           |
| NO. | PART NAME | Q'TY | MATERIAL          | PLATING & COLOR |

|  |                                 |                                    |             |         |            |
|--|---------------------------------|------------------------------------|-------------|---------|------------|
| UNLESS OTHERWISE SPECIFIED TOLERANCES                              |                                 | <b>MYOUNG 美阳</b> www.meiyangdz.com |             |         |            |
| DECIMALS:<br>X :±0.30<br>X.X :±0.25<br>X.XX :±0.20<br>X.XXX :±0.10 | ANGLES:<br>X :±1°<br>X.X :±0.5° | DSND                               | YangFeng    | DATE    | 2022-11-04 |
| WEIGHT:  |                                 | CHKD                               | ZhouRuicai  | DATE    | 2022-11-04 |
| SHEET 1 OF 1   |                                 | APVD                               | XueShunyong | DATE    | 2022-11-04 |
| SCALE:   |                                 | SIZE: A4                           |             | VIEW:   |            |
| UNIT: mm   |                                 | REV.:                              | A/1         | OBJECT: | MY         |
| TITLE:<br>电池盒BH-AA-1J带盖开关 (26#定制线长)                                |                                 |                                    |             |         |            |
| PART NO.:<br>BH-AA-B5BJ039-XX                                      |                                 |                                    |             |         |            |
| DRAW NO.:WD-CP-0235  |                                 |                                    |             |         |            |