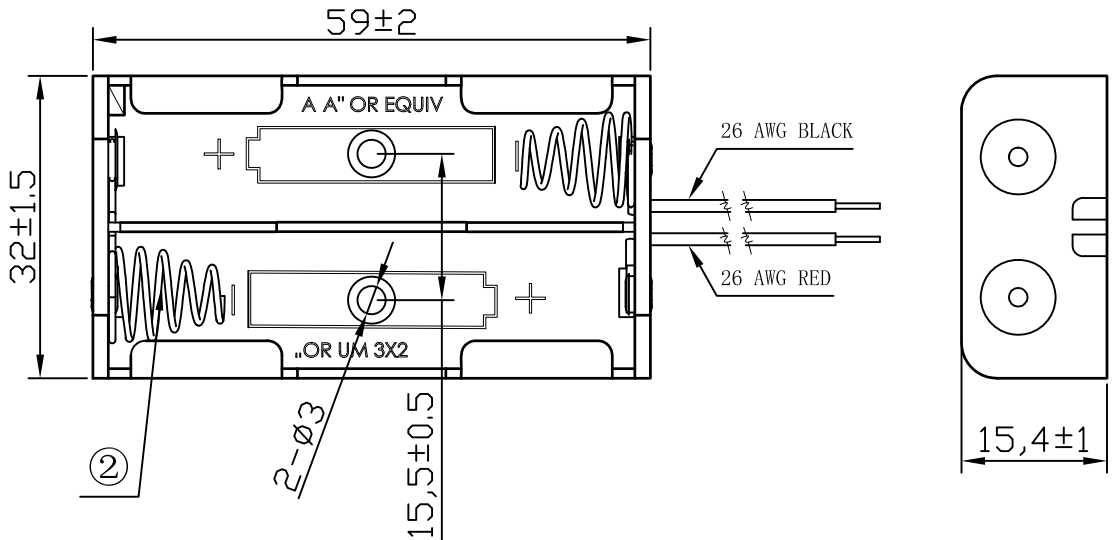




REV.	ECN NO.	REVISED	DATE

NOTE:

- 1.MATERIAL:
 a.HOUSING:PP BLACK
 b.SPRING:MUSIC WIRE
 (SURFACE PLATING: NI100u"~120u")
 SEE ORDERING INFORMATION
- 2.ELECTRIC:
 a.DIELECTRIC VOLTAGE: 270V AC ONE SEC LEVEL
 b.OPERATING TEMPERATURE: -10° C~ +100° C

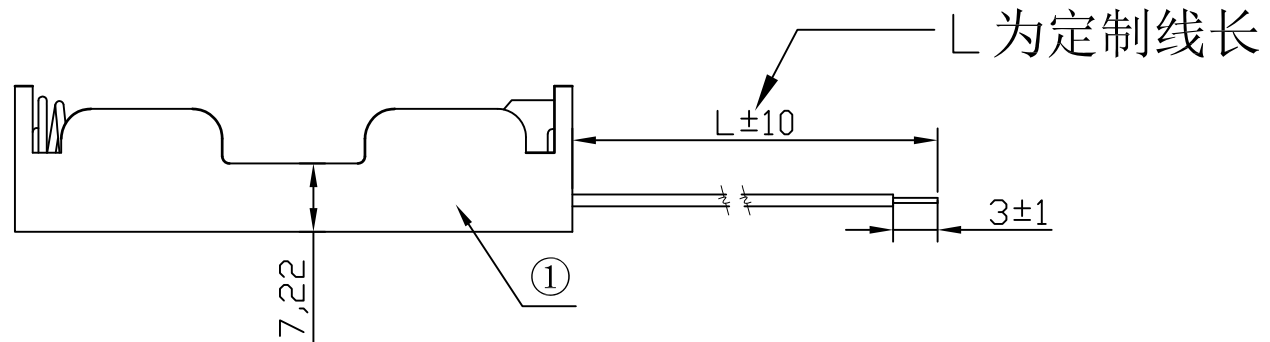


ORDERING INFORMATION
 BH-AA-B1AJ022-XX

电池盒
 电池型号
 SMT 180° TYPE

PLATING:
 A-Au1U"
 J-Ni100U"~120U"
 K-Sn100U"~120U"

MATERIAL:
 1A-PP BLACK
 1B-PA66 BLACK
 2A-PPA BROWN
 2B-PPA BLACK
 3A-PPS BROWN
 3B-PPS BLACK
 4A-LCP WHITE
 4B-LCP BLACK



UNLESS OTHERWISE SPECIFIED TOLERANCES		MYOUNG 美阳 www.meiyangdz.com	
DECIMALS: X :±0.30 X.X :±0.25 X.XX :±0.20 X.XXX :±0.10	ANGLES: X :±1° X.X :±0.5°	DSND YangFeng	DATE 2021-08-13
WEIGHT:		CHKD ZhouRuicai	DATE 2021-08-13
SHEET 1 OF 1		APVD XueShunyong	DATE 2021-08-13
TITLE: 电池盒BH-AA-2J (26#定制线长剥皮上锡3mm)		SCALE:	SIZE: A4
PART NO.: BH-AA-B1AJ022-XX		VIEW:	UNIT: mm
DRAW NO.:WD-CP-0161		REV.: A/1	OBJECT: MY

2	SPRING	2	MUSIC WIRE Ø0.7mm	Ni-Plating
1	HOUSING	1	PP	BLACK
NO.	PART NAME	Q'TY	MATERIAL	PLATING & COLOR