



REV.	ECN NO.	REVISED	DATE

NOTE:

1.MATERIAL:

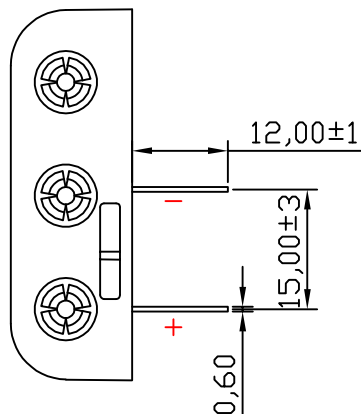
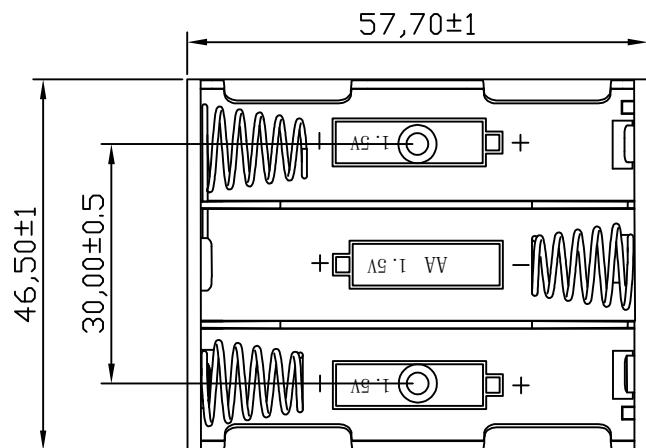
a.HOUSING:PP RESIN BLACK

b.PC TERMINALS:BRASS

2.ELECTRIC:

a.DIELECTRIC VOLTAGE: 270V AC ONE SEC LEVEL

b.OPERATING TEMPERATURE: -40°C~ +85°C



ORDERING INFORMATION

**BH-AA-A\*\*\*029**

电池盒

电池型号

DIP 90° TYPE

PLATING:

A-Au1U"

J-Ni100U"~120U"

K-Sn100U"~120U"

MATERIAL:

1A-PP BLACK

1B-PA66 BLACK

2A-PPA BROWN

2B-PPA BLACK

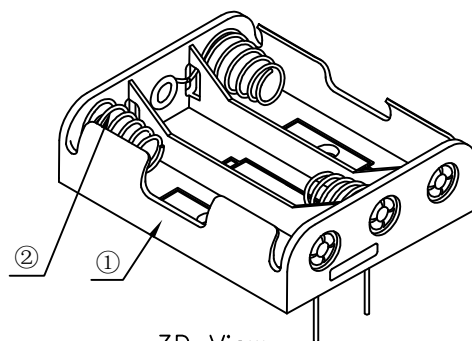
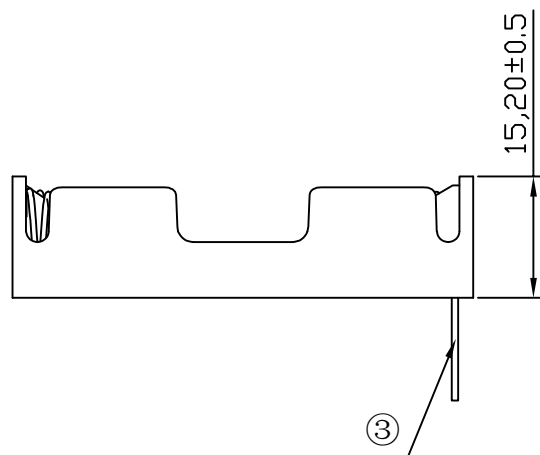
3A-PPS BROWN

3B-PPS BLACK

4A-LCP WHITE

4B-LCP BLACK

5A-PA9T BLACK



3D View



3	PC TERMINALS	2	BRASS, $\phi$ 0.6MM	Ni-Plating
2	SPRING	3	MUSIC WIRE, $\phi$ 0.6MM	Ni-Plating
1	HOUSING	1	PP	BLACK
NO.	PART NAME	Q'TY	MATERIAL	PLATING & COLOR

UNLESS OTHERWISE SPECIFIED TOLERANCES		<b>MYOUNG 美阳</b> <a href="http://www.meiyangdz.com">www.meiyangdz.com</a>	
DECIMALS: X :±0.30 X.X :±0.25 X.XX :±0.20 X.XXX :±0.10	ANGLES: X :±1° X.X :±0.5°	DSND YangFeng	DATE 2020-06-03
WEIGHT:		CHKD ZhouRuicai	DATE 2020-06-03
SHEET 1 OF 1		APVD XueShunyong	DATE 2020-06-03
SCALE:	SIZE: A4	VIEW:	TITLE: 电池盒BH-AA-3J DIP 单边两PIN12
UNIT: mm	REV.: A/1	OBJECT: MY	PART NO.: BH-AA-A1AJ029
			DRAW NO.:WD-CP-0195