



REV.	ECN NO.	REVISED	DATE

NOTE:

1.MATERIAL:

a.HOUSING:PP BLACK

b.SPRING:MUSIC WIRE

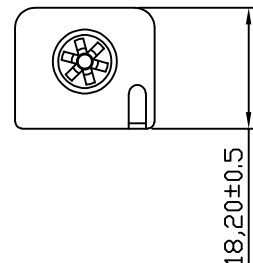
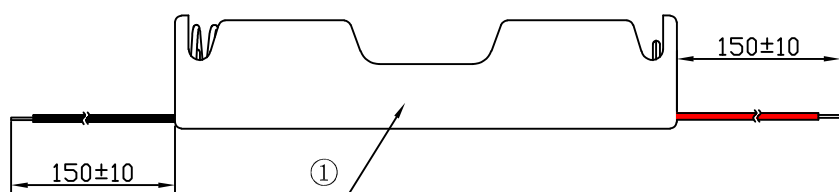
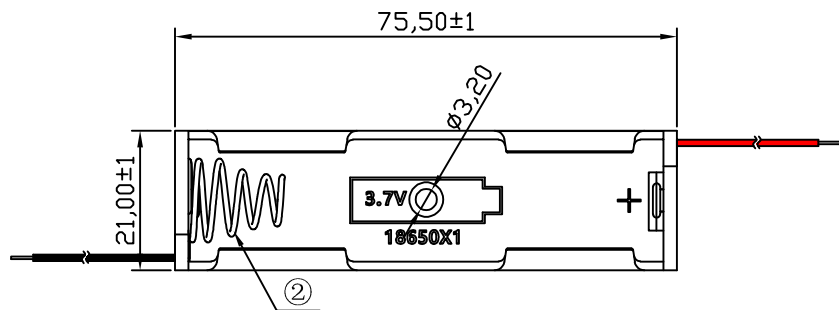
(SURFACE PLATING: NI100u"~120u")

SEE ORDERING INFORMATION

2.ELECTRIC:

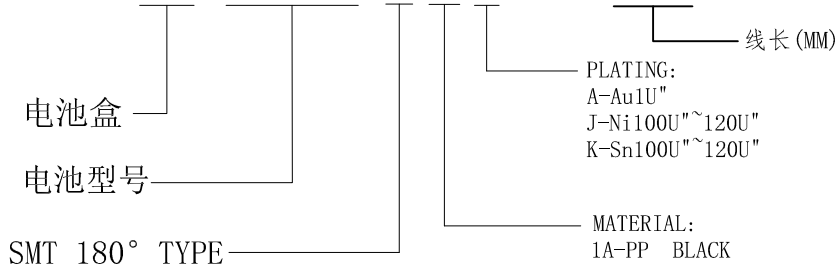
a.DIELECTRIC VOLTAGE: 270V AC ONE SEC LEVEL

b.OPERATING TEMPERATURE: -10°C~ +100°C



ORDERING INFORMATION

BH-18650-B1AJ011-150



PLATING:
A-Au1U"
J-Ni100U"~120U"
K-Sn100U"~120U"

MATERIAL:
1A-PP BLACK
1B-PA66 BLACK
2A-PPA BROWN
2B-PPA BLACK
3A-PPS BROWN
3B-PPS BLACK
4A-LCP WHITE
4B-LCP BLACK



UNLESS OTHERWISE SPECIFIED TOLERANCES		MYOUNG 美阳 www.meiyangdz.com	
DECIMALS: X :±0.30 X.X :±0.25 X.XX :±0.20 X.XXX :±0.10	ANGLES: X :±1° X.X :±0.5°	DSND YangFeng	DATE 2022-09-17
WEIGHT:		CHKD ZhouRuicai	DATE 2022-09-17
SHEET 1 OF 1		APVD XueShunyong	DATE 2022-09-17
SCALE:		SIZE: A4	VIEW:
UNIT: mm		REV.: A/1	OBJECT: MY
TITLE: 电池盒BH-18650-1J (26#线长 150mm)		PART NO.: BH-18650-B1AJ011-150	
DRAW NO.:WD-CP-0249			

2	SPRING	1	MUSIC WIRE, 0.65MM	Ni-Plating
1	HOUSING	1	PP	BLACK
NO.	PART NAME	Q'TY	MATERIAL	PLATING & COLOR