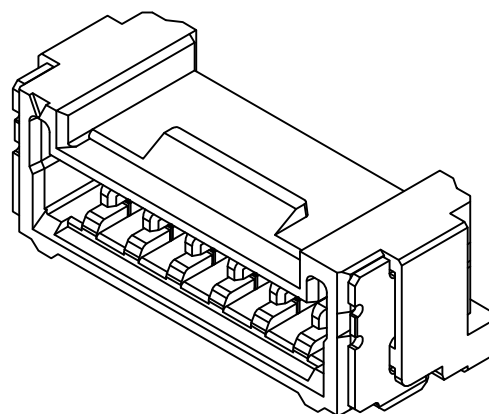
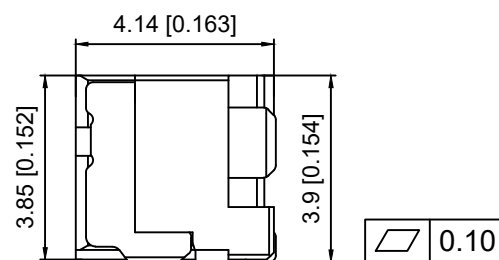


Recommended P.C.B Layout
General Tolerance±0.05



Specifications:

规格:

Voltage rating:50V AC/DC

额定电压: 50V AC/DC

Current rating:1.5A AC/DC

额定电流: 1.5A AC/DC

Withstanding voltage:500V AC/minute

耐受电压: 500V AC/分钟

Temperature range:-40℃~+125℃

温度范围: -40℃~+125℃

Insulation resistance:100MΩ min

绝缘电阻: 100MΩ Min

Contact resistance:20mΩ Max

接触电阻: 20mΩ Max

X1256 W R S - XX L - XX XX
① ② ③ ④ ⑤ ⑥ ⑦ ⑧

- 1.Series No
- 2.Category:W-Wafer
- 3.Welding Board Range:R-Strighr 90°
- 4.Welding Way:S-SMT
- 5.Row No.Pin No:XX-02~16 Pin
- 6.Special No:L-Front buckle
- 7.Material:LP-LCP UL94V-0 (Black)
6T-PA6T UL94V-0 (colours)
- 8.Plating:V01-Gold Flash ; SN-Plated Tin

| Poles | Dimensions(mm) | | | Poles | Dimensions(mm) | | |
|-------|----------------|-------|-------|-------|----------------|-------|-------|
| | A | B | C | | A | B | C |
| 02 | 1.25 | 5.75 | 4.90 | 10 | 11.25 | 15.75 | 14.90 |
| 03 | 2.54 | 7.00 | 6.15 | 11 | 12.50 | 17.00 | 16.15 |
| 04 | 3.75 | 8.25 | 7.40 | 12 | 13.75 | 18.25 | 17.40 |
| 05 | 5.00 | 9.50 | 8.65 | 13 | 15.00 | 19.50 | 18.65 |
| 06 | 6.25 | 10.75 | 9.90 | 14 | 16.25 | 20.75 | 19.90 |
| 07 | 7.50 | 12.00 | 11.15 | 16 | 17.50 | 22.00 | 21.15 |
| 08 | 8.75 | 13.25 | 12.40 | 16 | 18.75 | 23.25 | 22.40 |
| 09 | 10.00 | 14.50 | 13.65 | | | | / |

| | | | |
|-------------------|----------|-----------------|----------------------|
| X1256WRS-XXL-XXXX | LCP/PA6T | Phosphor Bronze | X1256H-L |
| PART NO | Material | Material(Pin) | Suitable XKB Housing |

| | | | |
|------|--|-------------|---|
| DSND | | SCALE: N/A | MODEL TYPE: 1.25mm Crimp Style Connector |
| DWN | | VIEW: | PART NO.: X1256WRS-XXL-XXXX |
| CHKD | | UNIT: mm/in | DWG NO.: X-X1256WRS-XXL-XXXX |
| APPD | | SIZE: A4 | |

| | | | | | |
|--------------------------------------|--|--|--------|-------|----------|
| XKB INDUSTRIAL PRECISION CO.,LIMITED | | | WEIGHT | SHEET | REVISION |
| | | | | 1/1 | A0 |



| | |
|------------------------|------|
| ANGLAR | ±5° |
| L ≤ 4 | ±0.2 |
| 4 < L ≤ 16 | ±0.3 |
| 16 < L ≤ 63 | ±0.4 |
| L > 63 | ±0.5 |
| UNSPECIFIED TOLERANCES | |

| | | | | | |
|-----------|-------------|------|---------|----------|--|
| ΔX | | | | | |
| ΔX | | | | | |
| ΔX | | | | | |
| MARK | DESCRIPTION | DATE | REVISED | APPROVED | |
| REVISIONS | | | | | |