

規格承認書

PECIFICATION FOR APPROVAL

客戶

CUSTOMER : 立創

項目

ITEM : 塑壳內磁喇叭

型號

TYPE : GSPK3525068BOX-8R1W-L100

描述

DESCRIPTION : 35x 25 x 6.8MM 單磁 8Ω 1W L100mm S.P.L: 85dB+/- 3dB

客戶料號

CUSTOMER NO. :

規格書號

SPECIFICATION NO.:

版本

EDITION NO. : V1.0

日期

DATE : 2023-8-16

客戶承認

CUSTOMER CONFIRM AND SIGN

檢查 TESTED BY	審核 CHECKED BY	承認 APPROVED BY

東莞市贏海電子有限公司

DONGUAN INGHAI ELECTRONICS CO.,LTD

製作 ISSUED BY	審查 CHECKED BY	確認 APPROVED BY
周明	李林	

地址：廣東省東莞市長安鎮新崗路 43 号华茂 15 楼

電話 / TEL: 0769-83060958 傳真 / FAX: 0769-81608993

網址: [HTTP://WWW.INGHAI.COM](http://www.inghai.com)

A、SCOPE 范围

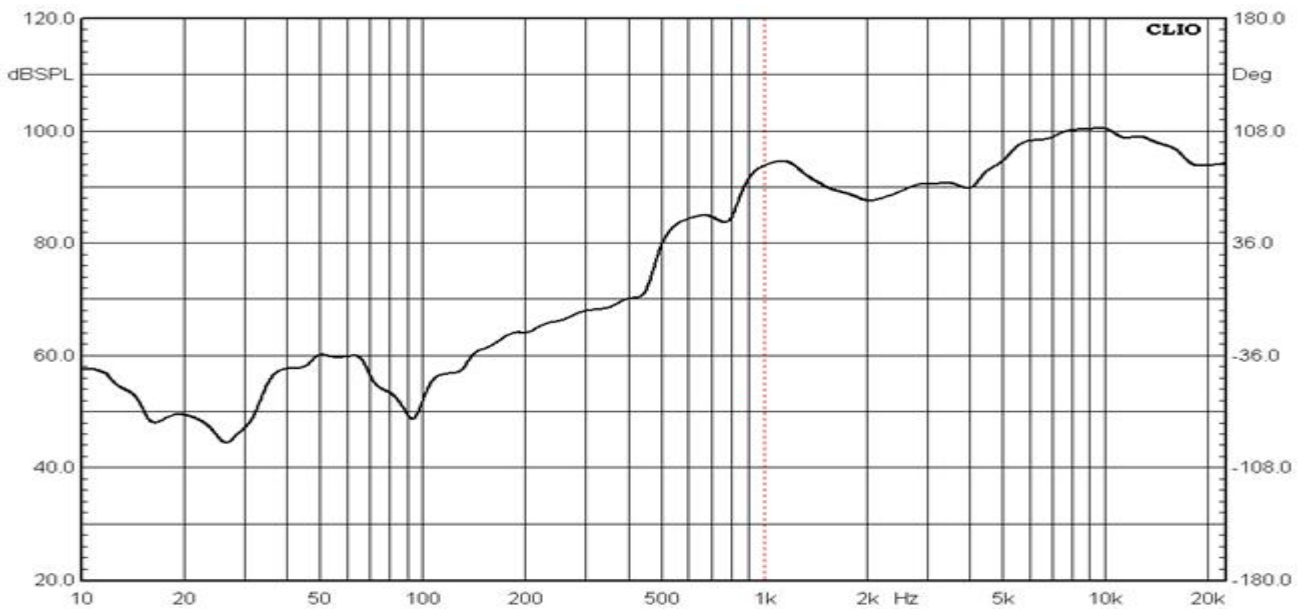
This specification applies speaker, **GSPK3525068BOX-8R1W-L100**

B、SPECIFICATION 规格

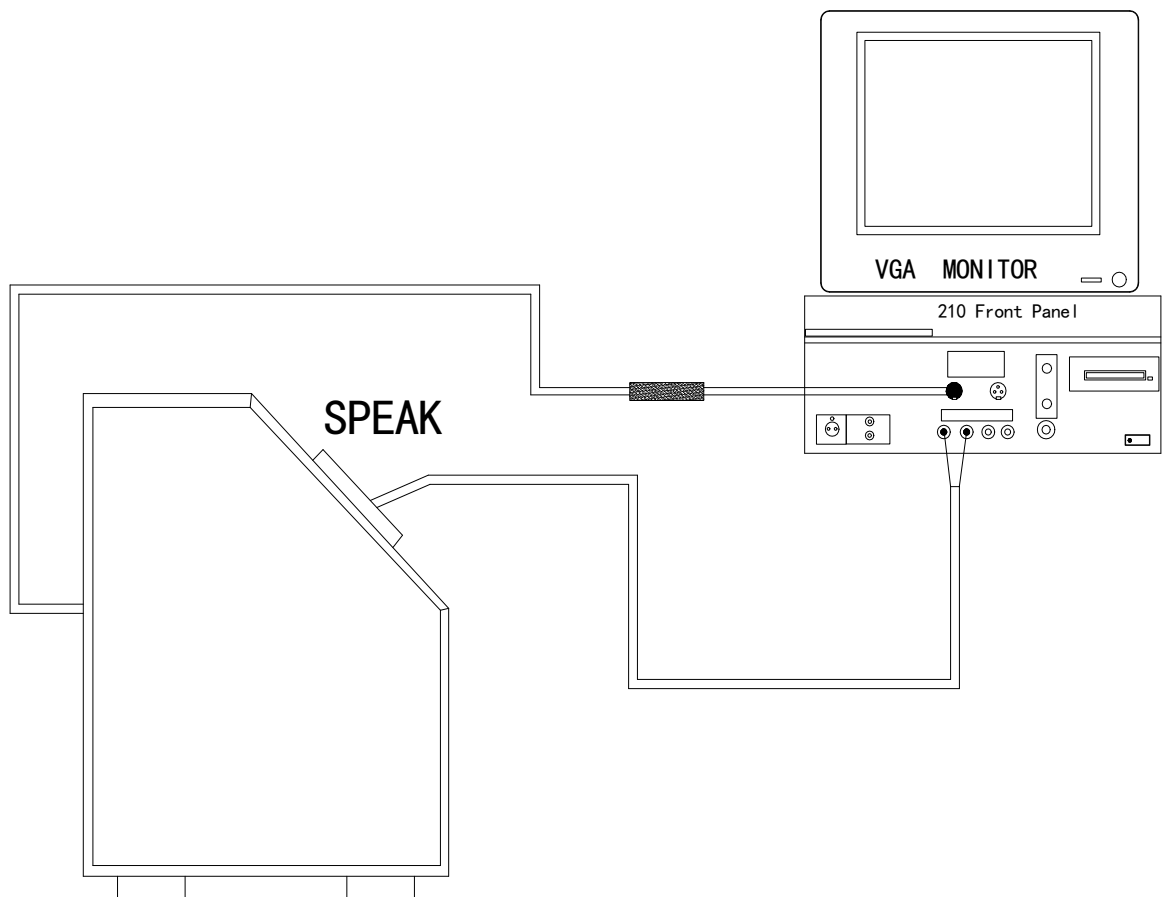
(GENERAL)		
1	Size	35mm ×25mm×H6.8mm
2	Power Rating	RATED POWER INPUT 1.0W MAX POWER INPUT 2.5W
3	Impedance	8 Ohm ±15% at 1kHz 3.46V
4	Resonance Freq	980Hz±20% at 1.0V
5	S.P.L	85dB±3dB/1.0W/0.1m at 800Hz,1000Hz, 1200Hz,1500Hz average
6	Response	Fo—20 KHz, deviation -10dB max.
7	Distortion	5% max, at 1kHz 1.0W
8	Magnet	Nd-Fe-B (、 、 、 、)
9	Operation Test	Must be normal at program source 2.0V
10	Polarity	When a positive D.C voltage is applied to the terminal Marked(+) or red the diaphragm should move to the front.
11	Terminal Strength	Capable of withstand a 500g load for 3sec. Without resulting in any damage or rejection.
12	Terminal Soldering Test	Speaker shall continue to operate after 10 sec. Stabilization test condition Suppling lead wire and solder on the terminal board and maintaining for 2seconds at temperature of 290—320°c by hand iron
13	Appearance	Should not exist any kind of obstacle to be harmful to normal operation, not any remarkable damages, cracks, rust and distortions which may cause malfunction.
14	Marking	
15	Envirnmental Protection Regulation	ROHS

C、TYPICAL FREQUENCY RESPONSE CURVE

频率响应曲线



D、MEASUREMENT CIRCUIT 测量线路



测试专用箱

E、MECHANICAL CHARACTERISTICS 机械特性

NO	Item	Test condition	Evaluation standard
1	Vibration Test	Speaker shall be measured after being applied vibration of amplitude of 1.5mm with 10 to 55Hz band of vibration frequency to each of 3 per-pendicular directions for 2 hours.	No obstacle to be harmful to normal operation ; Damages,cracks,rusts and distortions. Should not be audible at
2	Drop Test	Drop the speakers contained in normal box onto the board 40mm thick 10 times from the height of 75cm	2.83V sine wave between FO~4.0kHz

ENVIRONMENTAL TEST 环境试验

No.	Item	Test conditions	Evaluation standard
1	High temp. test	After being placed in a chamber at +55°C for 96 hours.	Being placed for 6 hours at +25°C,receiver shall be measured. No obstacle to be harmful to normal operation ;damages, cracks, rusts and distortions, should not be audible at
2	Low temp. test	After being placed in a chamber at - 25°C for 96 hours.	
3	Humidity test	After being placed in a chamber at +40°C and 90±5% relative humidity for 96 hours.	
4	Temp. cycle test	<p>The part shall be subjected to 6 cycles. One cycle shall be consist of :</p> <p>The diagram illustrates a temperature cycle test profile. It starts at +55°C for 2 hours, then ramps down to +25°C over 0.5 hours. It remains at +25°C for 1 hour, then ramps down to -20°C over 0.5 hours. It remains at -20°C for 2 hours, then ramps up to +40°C over 0.5 hours, and finally remains at +40°C for 1 hour. The total duration of one cycle is 7.5 hours.</p>	audible at 2.83Vsine wave between Fo~4.0KHz. S.P.L. deviation of unit should be within ±3dB.

G、RELIABILITY TEST 信赖性试验

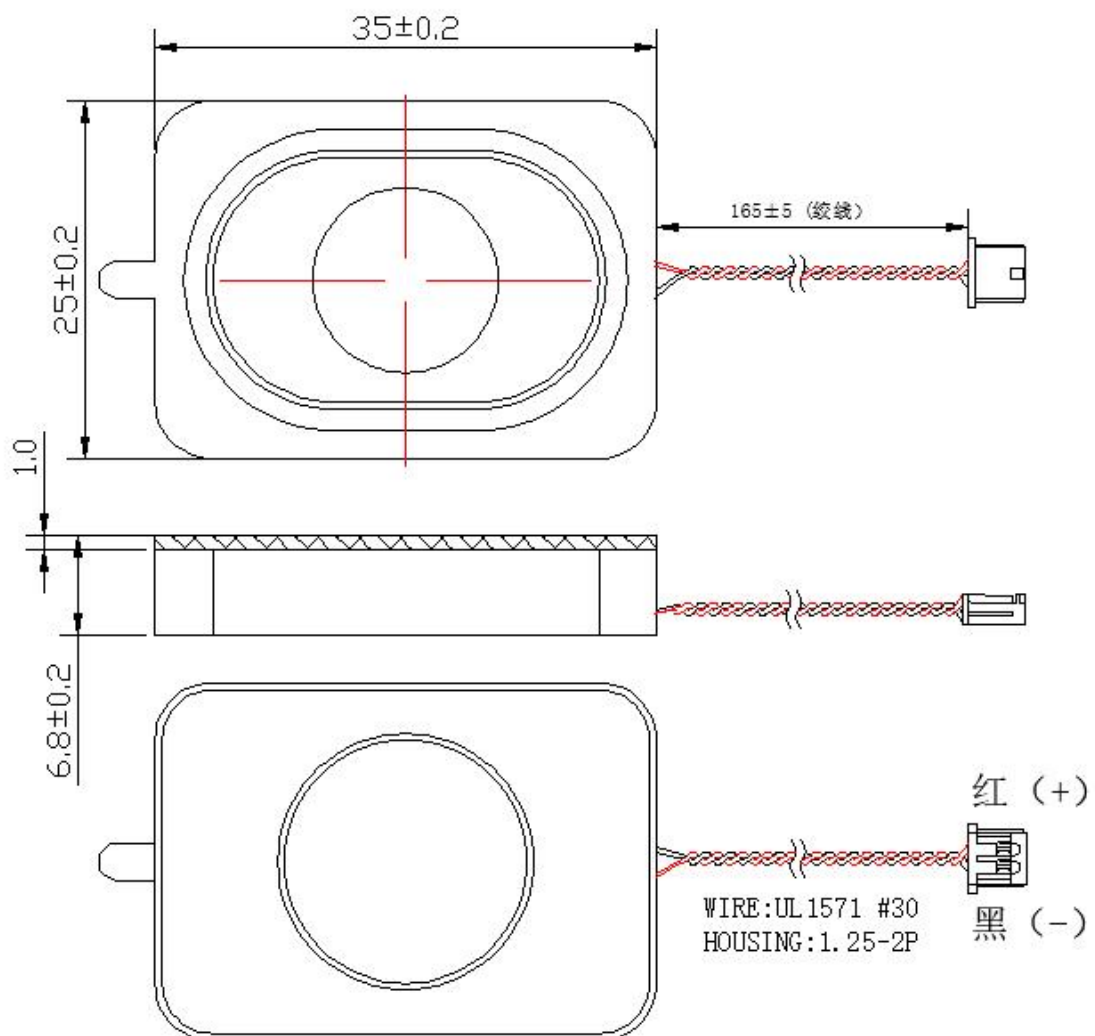
NO	Item	Test conditions	Evaluation standard
1	Load test	1W white noise is applied for 24 hours, at room temp.	Being placed for 1 hours at +25°C, speaker shall be measured, No obstacle to be harmful to normal operation; damages, cracks, rusts, etc. should not be audible at 2.83v sine wave between Fo~4.0KHz. Fo should meet initial one. S.P.L. deviation of unit should be within ±3dB

TEST CONDITION

Standard Test Condition : a) Temperature: +0.5~+35°C b) Humidity: 45~85% c) Pressure: 860-1060mbar

Judgement Test Condition: a) Temperature: +25±2°C b) Humidity: 60-70% c) Pressure: 860-1060mbar

H、APPEARANCE DRAWING 外观尺寸图 实物线长 L100MM



Unit: mm