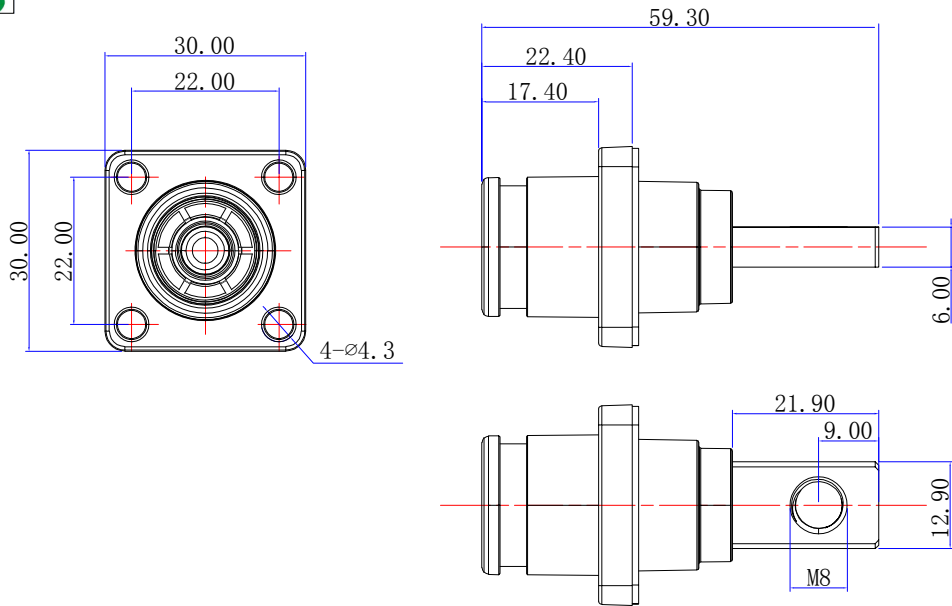
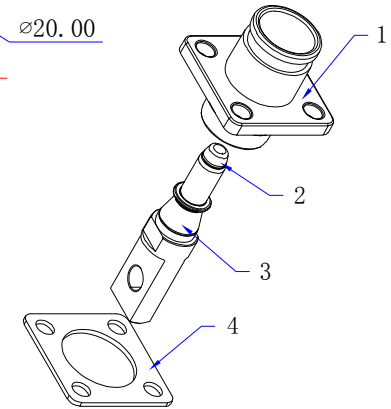
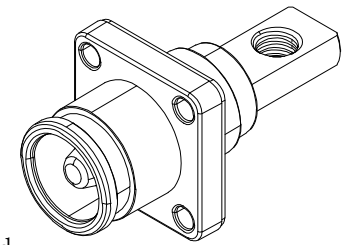
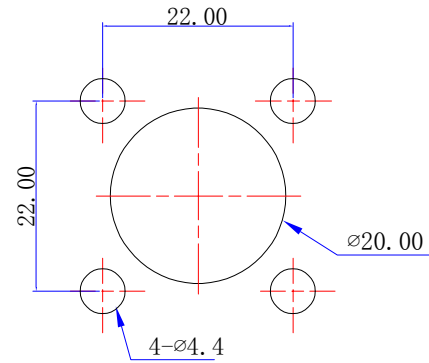




版本	描述	绘制	日期	核准
A	首次发行	FULIU	2023/03/01	



推荐开板尺寸
Recommended size of open board



Electrical performance:
Rated voltage:1000V DC
Withstand voltage:2500V AC(1Min)
Temperature Rise:4hrs<40°C

Mechanical behavior:
Duribility:>2000 Cycles
M&F Holding F:>200N
Flame Retardant Grade:UL94-V0
Operating temperature:-40°C~125°C
<The product has passed CE certification>



P/N	Colour
DOSIN-888-0019-01	Black
DOSIN-888-0019-02	Orange
DOSIN-888-0019-03	Red

NO	Description	Material	Finish	Qty
4	Square Gasket	CR		1
3	Pin	T2	Ag	1
2	Finger Protection	PA66		1
1	Plug Shell	PA66		1

公差	X.	± 0.50	DOSIN INDUSTRIAL (HK) CO., LTD 东莞市德索五金电子有限公司 Dongguan Dosin Hardware Electronics Co., Ltd.	Web: http://www.dosinconn.com dosin2005@dosin-china.com Tel: (0086) 769-81153906 Fax: (0086) 769-81875836
	X.X	± 0.20		
视图	X.XX	± 0.10	品名: 8mm bronze medal socket (black/orange/red)	料号: DOSIN-888-0019-XX
	Angular	$\pm 5^\circ$		
单位		MM	客户料号: /	版本 A
比例		1 : 1		页码: 1 OF 1