

# VFS9VD31B223Q92#

“#” indicates a package specification code.

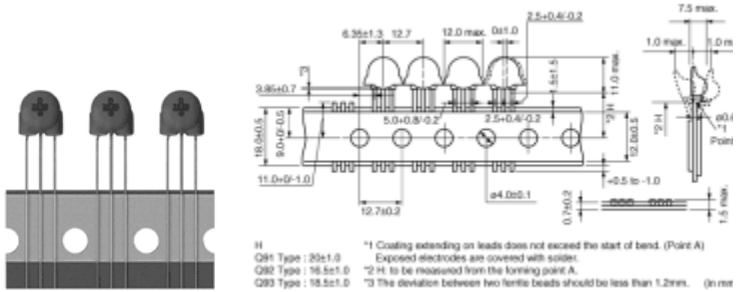
**Discontinued** **RoHS** **REACH**

< List of part numbers with package codes >

VFS9VD31B223Q92J

## Appearance & Shape

## Packaging Information



Packaging	Specifications	Minimum Order Quantity
J	320Reel	800

## Applications

Other Usage	For general
-------------	-------------

# VFS9VD31B223Q92#

“#” indicates a package specification code.

## Features

VFS9V series is designed for surge protection of the power supply. It protects electric circuits from surge such as static electricity and suppresses EMI noise. Its large capacitance value enables high insertion loss for EMI noise.

### Applications

For circuit protection and noise suppression in electronics equipment such as computers and DC motors, and in electronics systems installed in cars such as car audio equipment and engine controllers.

### Supplement

Diameter of lead is 0.6mm for taping type.  
Taping type is three terminal in-line arrangement.

### Attention

- 1.This datasheet is downloaded from the website of Murata Manufacturing Co., Ltd. Therefore, it's specifications are subject to change or our products in it may be discontinued without advance notice. Please check with our sales representatives or product engineers before ordering.
- 2.This datasheet has only typical specifications because there is no space for detailed specifications.  
Therefore, please review our product specifications or consult the approval sheet for product specifications before ordering.

# VFS9VD31B223Q92#

“#” indicates a package specification code.

## Specifications

Shape	Lead
Length	12.0mm
Length Tolerance	max.
Width	7.5mm
Width Tolerance	max.
Thickness	10.5mm
Thickness Tolerance	max.
Rated Current	6A
Operating Temperature Range	-40°C to 100°C
Mass(typ.)	1.1g
Rated Voltage	12Vdc
Varistor Voltage	22Vdc
Varistor Voltage Tolerance	±20%
Capacitance	22000pF
Capacitance Tolerance	+50/-20%
ESD Test	25kV, 10times

### Attention

1.This datasheet is downloaded from the website of Murata Manufacturing Co., Ltd. Therefore, it's specifications are subject to change or our products in it may be discontinued without advance notice. Please check with our sales representatives or product engineers before ordering.

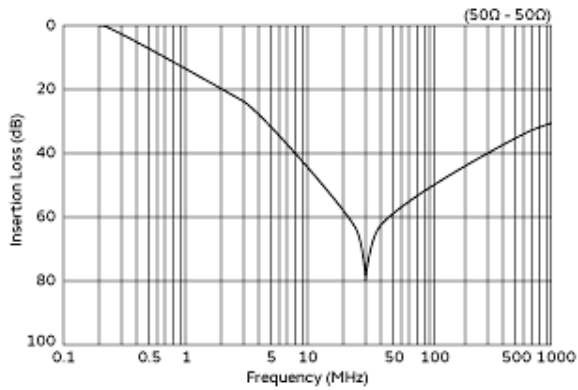
2.This datasheet has only typical specifications because there is no space for detailed specifications.

Therefore, please review our product specifications or consult the approval sheet for product specifications before ordering.

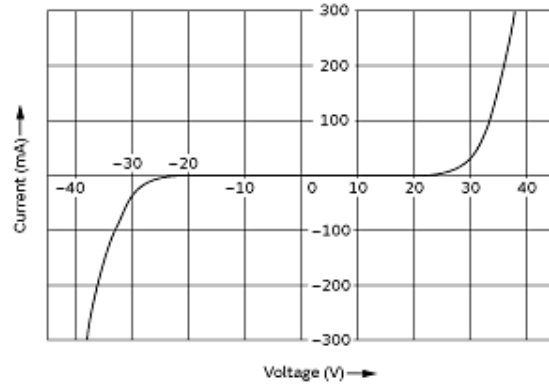
# VFS9VD31B223Q92#

“#” indicates a package specification code.

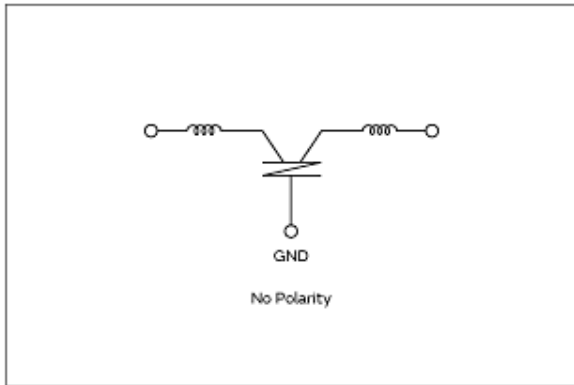
## Product Data



Insertion Loss Characteristics



Voltage-Current Characteristics



Equivalent Circuit

**Attention**

- 1.This datasheet is downloaded from the website of Murata Manufacturing Co., Ltd. Therefore, it's specifications are subject to change or our products in it may be discontinued without advance notice. Please check with our sales representatives or product engineers before ordering.
  - 2.This datasheet has only typical specifications because there is no space for detailed specifications.
- Therefore, please review our product specifications or consult the approval sheet for product specifications before ordering.

# Mouser Electronics

Authorized Distributor

Click to View Pricing, Inventory, Delivery & Lifecycle Information:

Murata:

[VFS9VD31B223Q92J](#)