

# 74HC4851-Q100; 74HCT4851-Q100

## 8-channel analog multiplexer/demultiplexer with injection-current effect control

Rev. 4 — 15 May 2023

Product data sheet

### 1. General description

The 74HC4851-Q100; 74HCT4851-Q100 are high-speed Si-gate CMOS devices and are specified in compliance with JEDEC standard no. 7A.

The 74HC4851-Q100; 74HCT4851-Q100 are 8-channel analog multiplexers/demultiplexers with three digital select inputs (S0 to S2), an active-LOW enable input ( $\bar{E}$ ), eight independent inputs/outputs (Y0 to Y7) and a common input/output (Z). The devices feature injection-current effect control, which has excellent value in automotive applications where voltages in excess of the supply voltage are common.

With  $\bar{E}$  LOW, one of the eight switches is selected (low impedance ON-state) by S0 to S2. With  $\bar{E}$  HIGH, all switches are in the high-impedance OFF-state, independent of S0 to S2.

The injection-current effect control allows signals at disabled analog input channels to exceed the supply voltage without affecting the signal of the enabled analog channel. This eliminates the need for external diode/resistor networks typically used to keep the analog channel signals within the supply-voltage range.

This product has been qualified to the Automotive Electronics Council (AEC) standard Q100 (Grade 1) and is suitable for use in automotive applications.

### 2. Features and benefits

- Automotive product qualification in accordance with AEC-Q100 (Grade 1)
  - Specified from -40 °C to +85 °C and from -40 °C to +125 °C
- Injection-current cross coupling < 1 mV/mA
- Wide supply voltage range from 2.0 V to 6.0 V for 74HC4851-Q100
- ESD protection:
  - MIL-STD-883, method 3015 exceeds 2000 V
  - HBM JESD22-A114F exceeds 2000 V
  - MM JESD22-A115-A exceeds 200 V (C = 200 pF, R = 0 Ω)
- Latch-up performance exceeds 100 mA per JESD 78 Class II level A
- Low ON-state resistance:
  - 400 Ω (typical) at  $V_{CC} = 2.0$  V
  - 215 Ω (typical) at  $V_{CC} = 3.0$  V
  - 120 Ω (typical) at  $V_{CC} = 3.3$  V
  - 76 Ω (typical) at  $V_{CC} = 4.5$  V
  - 59 Ω (typical) at  $V_{CC} = 6.0$  V
- Multiple package options
- DHVQFN package with Side-Wettable Flanks enabling Automatic Optical Inspection (AOI) of solder joints

### 3. Applications

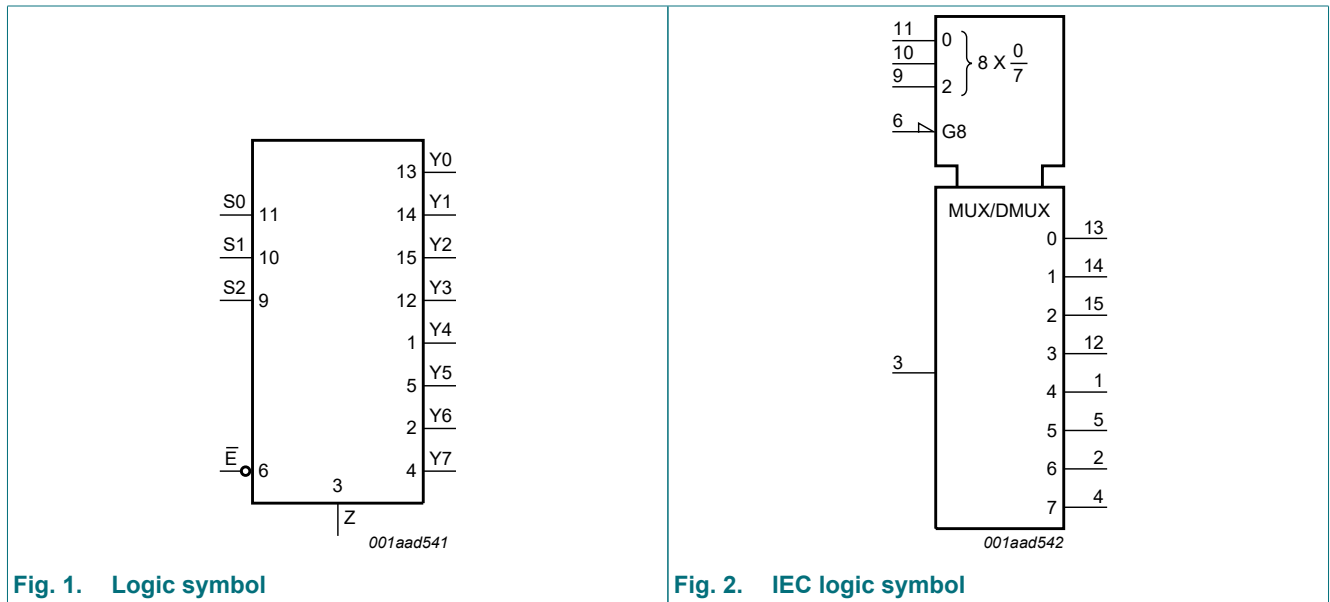
- Analog multiplexing and demultiplexing
- Digital multiplexing and demultiplexing
- Signal gating
- Automotive application

### 4. Ordering information

Table 1. Ordering information

| Type number   | Package           |          |  |                          |
|---|-------------------|----------|--|--------------------------|
|   | Temperature range | Name     | Description  | Version                  |
| <a href="#">74HC4851D-Q100</a><br><a href="#">74HCT4851D-Q100</a>   | -40 °C to +125 °C | SO16     | plastic small outline package; 16 leads; body width 3.9 mm   | <a href="#">SOT109-1</a> |
| <a href="#">74HC4851PW-Q100</a><br><a href="#">74HCT4851PW-Q100</a> | -40 °C to +125 °C | TSSOP16  | plastic thin shrink small outline package; 16 leads; body width 4.4 mm   | <a href="#">SOT403-1</a> |
| <a href="#">74HC4851BQ-Q100</a><br><a href="#">74HCT4851BQ-Q100</a> | -40 °C to +125 °C | DHVQFN16 | plastic dual in-line compatible thermal enhanced very thin quad flat package; no leads; 16 terminals; body 2.5 x 3.5 x 0.85 mm | <a href="#">SOT763-1</a> |

### 5. Functional diagram



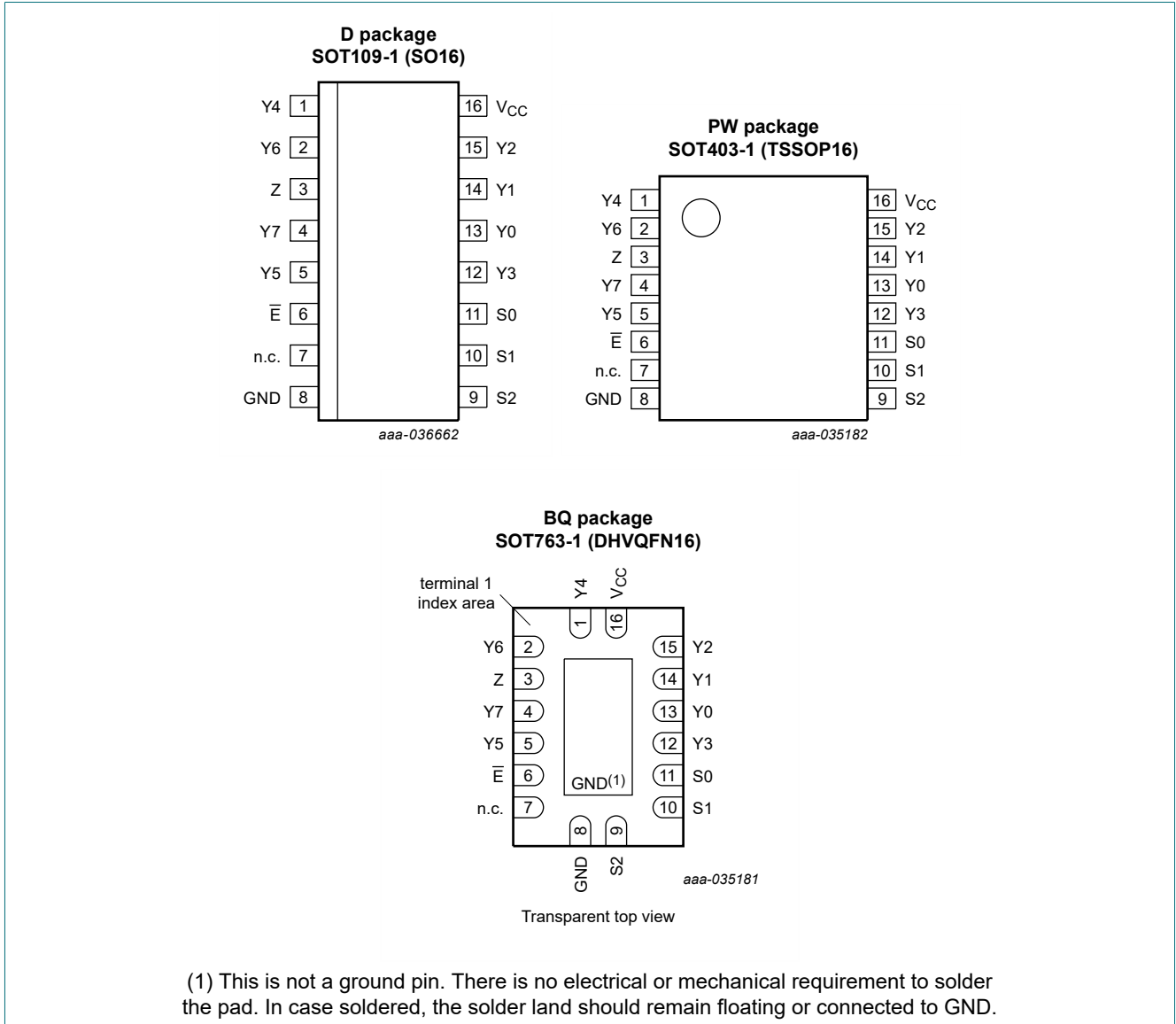
8-channel analog multiplexer/demultiplexer with injection-current effect control



Fig. 3. Functional diagram

## 6. Pinning information

### 6.1. Pinning



### 6.2. Pin description

Table 2. Pin description

| Symbol                         | Pin                        | Description               |
|--------------------------------|----------------------------|---------------------------|
| Y4, Y6, Y7, Y5, Y3, Y0, Y1, Y2 | 1, 2, 4, 5, 12, 13, 14, 15 | independent input/output  |
| Z                              | 3                          | common input/output       |
| $\bar{E}$                      | 6                          | enable input (active LOW) |
| n.c.                           | 7                          | not connected             |
| GND                            | 8                          | ground (0 V)              |
| S2, S1, S0                     | 9, 10, 11                  | select input              |
| V <sub>CC</sub>                | 16                         | supply voltage            |

## 7. Functional description

**Table 3. Function table**

H = HIGH voltage level; L = LOW voltage level; X = don't care.

| Input |    |    |    | Channel ON |
|-------|----|----|----|------------|
| E     | S2 | S1 | S0 |            |
| L     | L  | L  | L  | Y0 to Z    |
| L     | L  | L  | H  | Y1 to Z    |
| L     | L  | H  | L  | Y2 to Z    |
| L     | L  | H  | H  | Y3 to Z    |
| L     | H  | L  | L  | Y4 to Z    |
| L     | H  | L  | H  | Y5 to Z    |
| L     | H  | H  | L  | Y6 to Z    |
| L     | H  | H  | H  | Y7 to Z    |
| H     | X  | X  | X  | -          |

## 8. Limiting values

**Table 4. Limiting values**

In accordance with the Absolute Maximum Rating System (IEC 60134). Voltages are referenced to GND (ground = 0 V).

| Symbol    | Parameter               | Conditions                                     | Min      | Max            | Unit |
|-----------|-------------------------|--|----------|----------------|------|
| $V_{CC}$  | supply voltage          |  | -0.5     | +7.0           | V    |
| $V_I$     | input voltage           |  | [1] -0.5 | $V_{CC} + 0.5$ | V    |
| $V_{SW}$  | switch voltage          |  | [2] -0.5 | $V_{CC} + 0.5$ | V    |
| $I_{IK}$  | input clamping current  | $V_I < -0.5$ V or $V_I > V_{CC} + 0.5$ V       | -        | $\pm 20$       | mA   |
| $I_{SK}$  | switch clamping current | $V_{SW} < -0.5$ V or $V_{SW} > V_{CC} + 0.5$ V | -        | $\pm 20$       | mA   |
| $I_{SW}$  | switch current          | $V_{SW} > -0.5$ V or $V_{SW} < V_{CC} + 0.5$ V | -        | $\pm 25$       | mA   |
| $I_{CC}$  | supply current          |  | -        | 50             | mA   |
| $I_{GND}$ | ground current          |  | -50      | -              | mA   |
| $T_{stg}$ | storage temperature     |  | -65      | +150           | °C   |
| $P_{tot}$ | total power dissipation | $T_{amb} = -40$ °C to +125 °C                  | [3] -    | 500            | mW   |

[1] The minimum and maximum input voltage rating may be exceeded if the input clamping current rating is observed.

[2] The minimum and maximum switch voltage rating may be exceeded if the switch clamping current rating is observed.

[3] For SOT109-1 (SO16) package:  $P_{tot}$  derates linearly with 12.4 mW/K above 110 °C.

For SOT403-1 (TSSOP16) package:  $P_{tot}$  derates linearly with 8.5 mW/K above 91 °C.

For SOT763-1 (DHVQFN16) package:  $P_{tot}$  derates linearly with 11.2 mW/K above 106 °C.

## 9. Recommended operating conditions

Table 5. Recommended operating conditions

| Symbol              | Parameter                           | Conditions              | 74HC4851-Q100 |     |          | 74HCT4851-Q100 |     |          | Unit |
|---------------------|-------------------------------------|-------------------------|---------------|-----|----------|----------------|-----|----------|------|
|                     |                                     |                         | Min           | Typ | Max      | Min            | Typ | Max      |      |
| $V_{CC}$            | supply voltage                      |                         | 2.0           | -   | 6.0      | 4.5            | 5.0 | 5.5      | V    |
| $V_I$               | input voltage                       |                         | 0             | -   | $V_{CC}$ | 0              | -   | $V_{CC}$ | V    |
| $V_{SW}$            | switch voltage                      |                         | 0             | -   | $V_{CC}$ | 0              | -   | $V_{CC}$ | V    |
| $T_{amb}$           | ambient temperature                 |                         | -40           | -   | +125     | -40            | -   | +125     | °C   |
| $\Delta t/\Delta V$ | input transition rise and fall rate | $V_{CC} = 2.0\text{ V}$ | -             | 6.0 | 1000     | -              | -   | -        | ns/V |
|                     |                                     | $V_{CC} = 3.0\text{ V}$ | -             | 6.0 | 800      | -              | -   | -        | ns/V |
|                     |                                     | $V_{CC} = 3.3\text{ V}$ | -             | 6.0 | 800      | -              | -   | -        | ns/V |
|                     |                                     | $V_{CC} = 4.5\text{ V}$ | -             | 6.0 | 500      | -              | 6.0 | 500      | ns/V |
|                     |                                     | $V_{CC} = 6.0\text{ V}$ | -             | 6.0 | 400      | -              | -   | -        | ns/V |

## 10. Static characteristics

Table 6.  $R_{ON}$  resistance

At recommended operating conditions; voltages are referenced to GND (ground 0 V); For test circuit see Fig. 6.

| Symbol                | Parameter                               | Conditions                                       | 25 °C |     |     | -40 °C to +85 °C |     | -40 °C to +125 °C |     | Unit     |
|-----------------------|---|--|-------|-----|-----|------------------|-----|-------------------|-----|----------|
|                       |   |  | Min   | Typ | Max | Min              | Max | Min               | Max |          |
| <b>74HC4851-Q100</b>  |   |  |       |     |     |                  |     |                   |     |          |
| $R_{ON(peak)}$        | ON resistance (peak)                    | $V_I = V_{CC}$ to GND; $\bar{E} = V_{IL}$        |       |     |     |                  |     |                   |     |          |
|                       |   | $V_{CC} = 2.0\text{ V}; I_{SW} = 2\text{ mA}$    | -     | 400 | 650 | -                | 670 | -                 | 700 | $\Omega$ |
|                       |   | $V_{CC} = 3.0\text{ V}; I_{SW} \leq 2\text{ mA}$ | -     | 215 | 330 | -                | 360 | -                 | 380 | $\Omega$ |
|                       |   | $V_{CC} = 3.3\text{ V}; I_{SW} \leq 2\text{ mA}$ | -     | 120 | 270 | -                | 305 | -                 | 345 | $\Omega$ |
|                       |   | $V_{CC} = 4.5\text{ V}; I_{SW} \leq 2\text{ mA}$ | -     | 76  | 210 | -                | 240 | -                 | 270 | $\Omega$ |
|                       |   | $V_{CC} = 6.0\text{ V}; I_{SW} \leq 2\text{ mA}$ | -     | 59  | 195 | -                | 220 | -                 | 250 | $\Omega$ |
| $\Delta R_{ON}$       | ON resistance mismatch between channels | $V_I = 0.5 \times V_{CC}; \bar{E} = V_{IL}$      |       |     |     |                  |     |                   |     |          |
|                       |   | $V_{CC} = 2.0\text{ V}; I_{SW} = 2\text{ mA}$    | -     | 4   | 10  | -                | 15  | -                 | 20  | $\Omega$ |
|                       |   | $V_{CC} = 3.0\text{ V}; I_{SW} \leq 2\text{ mA}$ | -     | 2   | 8   | -                | 12  | -                 | 16  | $\Omega$ |
|                       |   | $V_{CC} = 3.3\text{ V}; I_{SW} \leq 2\text{ mA}$ | -     | 2   | 8   | -                | 12  | -                 | 16  | $\Omega$ |
|                       |   | $V_{CC} = 4.5\text{ V}; I_{SW} \leq 2\text{ mA}$ | -     | 2   | 8   | -                | 12  | -                 | 16  | $\Omega$ |
|                       |   | $V_{CC} = 6.0\text{ V}; I_{SW} \leq 2\text{ mA}$ | -     | 3   | 9   | -                | 13  | -                 | 18  | $\Omega$ |
| <b>74HCT4851-Q100</b> |   |  |       |     |     |                  |     |                   |     |          |
| $R_{ON(peak)}$        | ON resistance (peak)                    | $V_I = V_{CC}$ to GND; $\bar{E} = V_{IL}$        |       |     |     |                  |     |                   |     |          |
|                       |   | $V_{CC} = 4.5\text{ V}; I_{SW} \leq 2\text{ mA}$ | -     | 76  | 210 | -                | 240 | -                 | 270 | $\Omega$ |
| $\Delta R_{ON}$       | ON resistance mismatch between channels | $V_I = 0.5 \times V_{CC}; \bar{E} = V_{IL}$      |       |     |     |                  |     |                   |     |          |
|                       |   | $V_{CC} = 4.5\text{ V}; I_{SW} \leq 2\text{ mA}$ | -     | 2   | 8   | -                | 12  | -                 | 16  | $\Omega$ |

8-channel analog multiplexer/demultiplexer with injection-current effect control

**Table 7. Injection current coupling**

At recommended operating conditions; voltages are referenced to GND (ground 0 V); For test circuit see Fig. 7.

| Symbol                                     | Parameter                | Conditions  | 74HC4851-Q100            |         |      | 74HCT4851-Q100 |         |      | Unit |    |
|--|--------------------------|---|--------------------------|---------|------|----------------|---------|------|------|----|
|  |                          |   | Min                      | Typ [1] | Max  | Min            | Typ [1] | Max  |      |    |
| <b>T<sub>amb</sub> = -40 °C to +125 °C</b> |                          |   |                          |         |      |                |         |      |      |    |
| $\Delta V_O$                               | output voltage variation | $ I_{SW}  \leq 1 \text{ mA}; R_S \leq 3.9 \text{ k}\Omega$ [2]<br>[3] |                          |         |      |                |         |      |      |    |
|  |                          |   | $V_{CC} = 3.3 \text{ V}$ | -       | 0.05 | 1              | -       | -    | -    | mV |
|  |                          | $V_{CC} = 5.0 \text{ V}$  | -                        | 0.03    | 1    | -              | 0.03    | 1    | mV   |    |
|  |                          | $ I_{SW}  \leq 10 \text{ mA}; R_S \leq 3.9 \text{ k}\Omega$           | $V_{CC} = 3.3 \text{ V}$ | -       | 0.55 | 5              | -       | -    | -    | mV |
|  |                          |   | $V_{CC} = 5.0 \text{ V}$ | -       | 0.27 | 5              | -       | 0.27 | 5    | mV |
|  |                          | $ I_{SW}  \leq 1 \text{ mA}; R_S \leq 20 \text{ k}\Omega$             | $V_{CC} = 3.3 \text{ V}$ | -       | 0.04 | 2              | -       | -    | -    | mV |
|  |                          |   | $V_{CC} = 5.0 \text{ V}$ | -       | 0.03 | 2              | -       | 0.03 | 2    | mV |
|  |                          | $ I_{SW}  \leq 10 \text{ mA}; R_S \leq 20 \text{ k}\Omega$            | $V_{CC} = 3.3 \text{ V}$ | -       | 0.56 | 20             | -       | -    | -    | mV |
|  |                          |   | $V_{CC} = 5.0 \text{ V}$ | -       | 0.48 | 20             | -       | 0.48 | 20   | mV |

[1] Typical values are measured at T<sub>amb</sub> = 25 °C.

[2]  $\Delta V_O$  here is the maximum variation of output voltage of an enabled analog channel when current is injected into any disabled channel.

[3]  $I_{SW}$  = total current injected into all disabled channels.

**Table 8. Static characteristics**

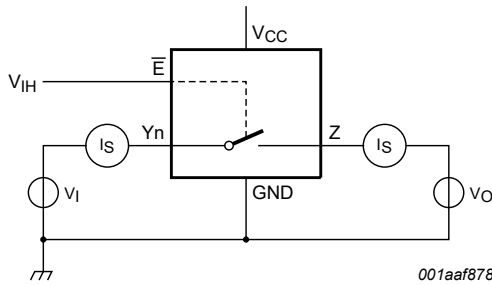
At recommended operating conditions; voltages are referenced to GND (ground 0 V);

| Symbol               | Parameter                | Conditions               | 25 °C |     |      | -40 °C to +85 °C |      | -40 °C to +125 °C |      | Unit |
|----------------------|--------------------------|--------------------------|-------|-----|------|------------------|------|-------------------|------|------|
|                      |                          |                          | Min   | Typ | Max  | Min              | Max  | Min               | Max  |      |
| <b>74HC4851-Q100</b> |                          |                          |       |     |      |                  |      |                   |      |      |
| $V_{IH}$             | HIGH-level input voltage | control inputs           |       |     |      |                  |      |                   |      |      |
|                      |                          | $V_{CC} = 2.0 \text{ V}$ | 1.5   | -   | -    | 1.5              | -    | 1.5               | -    | V    |
|                      |                          | $V_{CC} = 3.0 \text{ V}$ | 2.1   | -   | -    | 2.1              | -    | 2.1               | -    | V    |
|                      |                          | $V_{CC} = 3.3 \text{ V}$ | 2.3   | -   | -    | 2.3              | -    | 2.3               | -    | V    |
|                      |                          | $V_{CC} = 4.5 \text{ V}$ | 3.15  | -   | -    | 3.15             | -    | 3.15              | -    | V    |
|                      |                          | $V_{CC} = 6.0 \text{ V}$ | 4.2   | -   | -    | 4.2              | -    | 4.2               | -    | V    |
| $V_{IL}$             | LOW-level input voltage  | control inputs           |       |     |      |                  |      |                   |      |      |
|                      |                          | $V_{CC} = 2.0 \text{ V}$ | -     | -   | 0.5  | -                | 0.5  | -                 | 0.5  | V    |
|                      |                          | $V_{CC} = 3.0 \text{ V}$ | -     | -   | 0.9  | -                | 0.9  | -                 | 0.9  | V    |
|                      |                          | $V_{CC} = 3.3 \text{ V}$ | -     | -   | 1.0  | -                | 1.0  | -                 | 1.0  | V    |
|                      |                          | $V_{CC} = 4.5 \text{ V}$ | -     | -   | 1.35 | -                | 1.35 | -                 | 1.35 | V    |
|                      |                          | $V_{CC} = 6.0 \text{ V}$ | -     | -   | 1.8  | -                | 1.8  | -                 | 1.8  | V    |

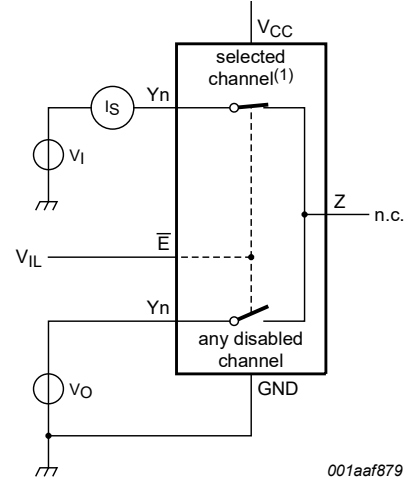
## 8-channel analog multiplexer/demultiplexer with injection-current effect control

| Symbol                | Parameter                 | Conditions  | 25 °C |     |           | -40 °C to +85 °C |           | -40 °C to +125 °C |           | Unit          |
|-----------------------|---------------------------|---|-------|-----|-----------|------------------|-----------|-------------------|-----------|---------------|
|                       |                           |   | Min   | Typ | Max       | Min              | Max       | Min               | Max       |               |
| $I_I$                 | input leakage current     | control inputs; $V_I = \text{GND or } V_{CC}$ ; $V_{CC} = 6.0 \text{ V}$  | -     | -   | $\pm 0.1$ | -                | $\pm 0.1$ | -                 | $\pm 1.0$ | $\mu\text{A}$ |
| $I_{S(\text{OFF})}$   | OFF-state leakage current | $\bar{E} = V_{IH}$ ; $V_I = \text{GND or } V_{CC}$ ; $V_O = V_{CC} \text{ or } \text{GND}$ ; $V_{CC} = 6.0 \text{ V}$ ; see Fig. 4                                  |       |     |           |                  |           |                   |           |               |
|                       |                           | per channel   | -     | -   | $\pm 0.1$ | -                | $\pm 0.5$ | -                 | $\pm 1.0$ | $\mu\text{A}$ |
|                       |                           | all channels  | -     | -   | $\pm 0.2$ | -                | $\pm 2.0$ | -                 | $\pm 4.0$ | $\mu\text{A}$ |
| $I_{S(\text{ON})}$    | ON-state leakage current  | $\bar{E} = V_{IL}$ ; $V_I = \text{GND or } V_{CC}$ ; $V_O = V_{CC} \text{ or } \text{GND}$ ; $V_{CC} = 6.0 \text{ V}$ ; see Fig. 5                                  | -     | -   | $\pm 0.1$ | -                | $\pm 0.5$ | -                 | $\pm 1.0$ | $\mu\text{A}$ |
| $I_{CC}$              | supply current            | $V_I = \text{GND or } V_{CC}$ ; $V_{CC} = 6.0 \text{ V}$  | -     | -   | 2.0       | -                | 5.0       | -                 | 20.0      | $\mu\text{A}$ |
| $C_I$                 | input capacitance         | S0, S1, S2 and $\bar{E}$  | -     | 2   | 10        | -                | 10        | -                 | 10        | pF            |
| $C_{sw}$              | switch capacitance        | Z; OFF-state  | -     | 15  | 40        | -                | 40        | -                 | 40        | pF            |
|                       |                           | $Y_n$ ; OFF-state   | -     | 3   | 15        | -                | 15        | -                 | 15        | pF            |
| <b>74HCT4851-Q100</b> |                           |   |       |     |           |                  |           |                   |           |               |
| $V_{IH}$              | HIGH-level input voltage  | control inputs; $V_{CC} = 4.5 \text{ V to } 5.5 \text{ V}$  | 2.0   | -   | -         | 2.0              | -         | 2.0               | -         | V             |
| $V_{IL}$              | LOW-level input voltage   | control inputs; $V_{CC} = 4.5 \text{ V to } 5.5 \text{ V}$  | -     | -   | 0.8       | -                | 0.8       | -                 | 0.8       | V             |
| $I_I$                 | input leakage current     | control inputs; $V_I = \text{GND or } V_{CC}$ ; $V_{CC} = 5.5 \text{ V}$  | -     | -   | $\pm 0.1$ | -                | $\pm 0.1$ | -                 | $\pm 1.0$ | $\mu\text{A}$ |
| $I_{S(\text{OFF})}$   | OFF-state leakage current | $\bar{E} = V_{IH}$ ; $V_I = \text{GND or } V_{CC}$ ; $V_O = V_{CC} \text{ or } \text{GND}$ ; $V_{CC} = 5.5 \text{ V}$ ; see Fig. 4                                  |       |     |           |                  |           |                   |           |               |
|                       |                           | per channel   | -     | -   | $\pm 0.1$ | -                | $\pm 0.5$ | -                 | $\pm 1.0$ | $\mu\text{A}$ |
|                       |                           | all channels  | -     | -   | $\pm 0.2$ | -                | $\pm 2.0$ | -                 | $\pm 4.0$ | $\mu\text{A}$ |
| $I_{S(\text{ON})}$    | ON-state leakage current  | $\bar{E} = V_{IL}$ ; $V_I = \text{GND or } V_{CC}$ ; $V_O = V_{CC} \text{ or } \text{GND}$ ; $V_{CC} = 5.5 \text{ V}$ ; see Fig. 5                                  | -     | -   | $\pm 0.1$ | -                | $\pm 0.5$ | -                 | $\pm 1.0$ | $\mu\text{A}$ |
| $I_{CC}$              | supply current            | $V_I = \text{GND or } V_{CC}$ ; $V_{CC} = 5.5 \text{ V}$  | -     | -   | 2.0       | -                | 5.0       | -                 | 20.0      | $\mu\text{A}$ |
| $\Delta I_{CC}$       | additional supply current | control inputs; $V_I = V_{CC} - 2.1 \text{ V}$ ; other inputs at $V_{CC} \text{ or } \text{GND}$ ; $V_{CC} = 4.5 \text{ V to } 5.5 \text{ V}$ ; $I_O = 0 \text{ A}$ | -     | -   | 300       | -                | 370       | -                 | 370       | $\mu\text{A}$ |
| $C_I$                 | input capacitance         | S0, S1, S2 and $\bar{E}$  | -     | 2   | 10        | -                | 10        | -                 | 10        | pF            |
| $C_{sw}$              | switch capacitance        | Z; OFF-state  | -     | 15  | 40        | -                | 40        | -                 | 40        | pF            |
|                       |                           | $Y_n$ ; OFF-state   | -     | 3   | 15        | -                | 15        | -                 | 15        | pF            |



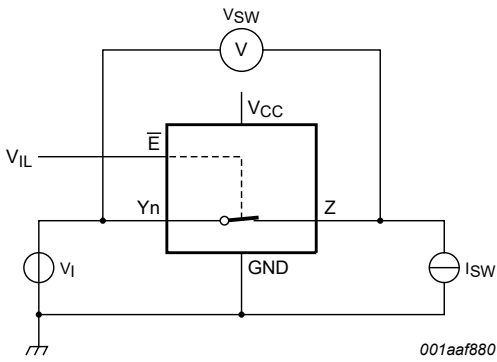


**Fig. 4. Test circuit for measuring OFF-state leakage current**



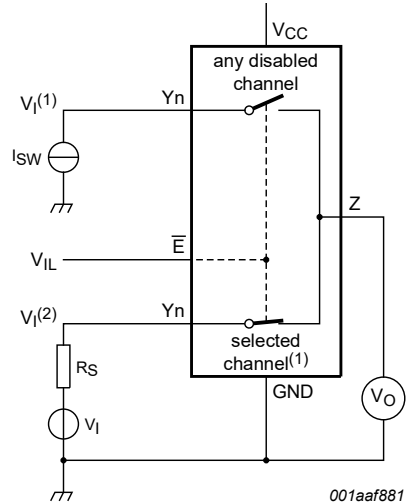
(1) Channel is selected by S0, S1 and S2.

**Fig. 5. Test circuit for measuring ON-state leakage current**



$$R_{ON} = V_{SW} / I_{SW}$$

**Fig. 6. Test circuit for measuring ON resistance**



(1) Channel is selected by S0, S1 and S2.  
 $V_I(1) < GND$  or  $V_I(1) > V_{CC}$ .  
 $GND < V_I(2) < V_{CC}$ .

**Fig. 7. Test circuit for injection current coupling**

## 11. Dynamic characteristics

**Table 9. Dynamic characteristics**

At recommended operating conditions; voltages are referenced to GND (ground 0 V); for test circuit see Fig. 12.

| Symbol               | Parameter                     | Conditions                                       | 25 °C |      |      | -40 °C to +85 °C |      | -40 °C to +125 °C |      | Unit |
|----------------------|-------------------------------|--|-------|------|------|------------------|------|-------------------|------|------|
|                      |                               |  | Min   | Typ  | Max  | Min              | Max  | Min               | Max  |      |
| <b>74HC4851-Q100</b> |                               |  |       |      |      |                  |      |                   |      |      |
| $t_{pd}$             | propagation delay             | Z to Yn, Yn to Z; see Fig. 8 [1]                 |       |      |      |                  |      |                   |      |      |
|                      |                               | $V_{CC} = 2.0\text{ V}$                          | -     | 10.0 | 25   | -                | 29   | -                 | 32   | ns   |
|                      |                               | $V_{CC} = 3.0\text{ V}$                          | -     | 6.0  | 15.5 | -                | 17.5 | -                 | 19.5 | ns   |
|                      |                               | $V_{CC} = 3.3\text{ V}$                          | -     | 5.0  | 14.5 | -                | 16.5 | -                 | 18.5 | ns   |
|                      |                               | $V_{CC} = 4.5\text{ V}$                          | -     | 4.0  | 11.5 | -                | 12.5 | -                 | 13.5 | ns   |
|                      |                               | $V_{CC} = 6.0\text{ V}$                          | -     | 3.0  | 10   | -                | 11   | -                 | 12   | ns   |
|                      |                               | Sn to Z, Sn to Yn; see Fig. 9 [1]                |       |      |      |                  |      |                   |      |      |
|                      |                               | $V_{CC} = 2.0\text{ V}$                          | -     | 18.0 | 32   | -                | 35   | -                 | 40   | ns   |
|                      |                               | $V_{CC} = 3.0\text{ V}$                          | -     | 9.5  | 17.5 | -                | 20   | -                 | 23   | ns   |
|                      |                               | $V_{CC} = 3.3\text{ V}$                          | -     | 8.5  | 16.5 | -                | 19   | -                 | 22   | ns   |
|                      |                               | $V_{CC} = 4.5\text{ V}$                          | -     | 6.5  | 13   | -                | 15   | -                 | 17   | ns   |
|                      |                               | $V_{CC} = 6.0\text{ V}$                          | -     | 5.0  | 12.5 | -                | 14.5 | -                 | 16.5 | ns   |
| $t_{en}$             | enable time                   | $\bar{E}$ to Z, $\bar{E}$ to Yn; see Fig. 10 [2] |       |      |      |                  |      |                   |      |      |
|                      |                               | $V_{CC} = 2.0\text{ V}$                          | -     | -    | 95   | -                | 105  | -                 | 115  | ns   |
|                      |                               | $V_{CC} = 3.0\text{ V}$                          | -     | -    | 90   | -                | 100  | -                 | 110  | ns   |
|                      |                               | $V_{CC} = 3.3\text{ V}$                          | -     | -    | 85   | -                | 95   | -                 | 105  | ns   |
|                      |                               | $V_{CC} = 4.5\text{ V}$                          | -     | -    | 80   | -                | 90   | -                 | 100  | ns   |
|                      |                               | $V_{CC} = 6.0\text{ V}$                          | -     | -    | 78   | -                | 80   | -                 | 80   | ns   |
| $t_{dis}$            | disable time                  | $\bar{E}$ to Z, $\bar{E}$ to Yn; see Fig. 10 [3] |       |      |      |                  |      |                   |      |      |
|                      |                               | $V_{CC} = 2.0\text{ V}$                          | -     | -    | 99   | -                | 105  | -                 | 115  | ns   |
|                      |                               | $V_{CC} = 3.0\text{ V}$                          | -     | -    | 90   | -                | 100  | -                 | 110  | ns   |
|                      |                               | $V_{CC} = 3.3\text{ V}$                          | -     | -    | 85   | -                | 95   | -                 | 105  | ns   |
|                      |                               | $V_{CC} = 4.5\text{ V}$                          | -     | -    | 80   | -                | 90   | -                 | 100  | ns   |
|                      |                               | $V_{CC} = 6.0\text{ V}$                          | -     | -    | 78   | -                | 80   | -                 | 80   | ns   |
| $C_{PD}$             | power dissipation capacitance | per channel; see Fig. 11 [4]                     |       |      |      |                  |      |                   |      |      |
|                      |                               | $V_{CC} = 3.3\text{ V}$                          | -     | 28   | -    | -                | -    | -                 | -    | pF   |
|                      |                               | $V_{CC} = 5.0\text{ V}$                          | -     | 33   | -    | -                | -    | -                 | -    | pF   |

8-channel analog multiplexer/demultiplexer with injection-current effect control

| Symbol                | Parameter                     | Conditions   | 25 °C |      |      | -40 °C to +85 °C |      | -40 °C to +125 °C |      | Unit |
|-----------------------|-------------------------------|--|-------|------|------|------------------|------|-------------------|------|------|
|                       |                               |  | Min   | Typ  | Max  | Min              | Max  | Min               | Max  |      |
| <b>74HCT4851-Q100</b> |                               |  |       |      |      |                  |      |                   |      |      |
| t <sub>pd</sub>       | propagation delay             | Z to Y <sub>n</sub> , Y <sub>n</sub> to Z; see Fig. 8 [1]              |       |      |      |                  |      |                   |      |      |
|                       |                               | V <sub>CC</sub> = 4.5 V  | 1.6   | 3.7  | 11.5 | 1.1              | 12.5 | 1.1               | 13.5 | ns   |
|                       |                               | S <sub>n</sub> to Z, S <sub>n</sub> to Y <sub>n</sub> ; see Fig. 9 [1] |       |      |      |                  |      |                   |      |      |
|                       |                               | V <sub>CC</sub> = 4.5 V  | 3.2   | 8.0  | 13   | 2.3              | 15   | 2.3               | 17   | ns   |
| t <sub>en</sub>       | enable time                   | E to Z, E to Y <sub>n</sub> ; see Fig. 10 [2]                          |       |      |      |                  |      |                   |      |      |
|                       |                               | V <sub>CC</sub> = 4.5 V  | 4.2   | 8.6  | 25   | 3.0              | 30   | 3.0               | 35   | ns   |
| t <sub>dis</sub>      | disable time                  | E to Z, E to Y <sub>n</sub> ; see Fig. 10 [3]                          |       |      |      |                  |      |                   |      |      |
|                       |                               | V <sub>CC</sub> = 4.5 V  | 28.5  | 64.7 | 80   | 28.2             | 90   | 28                | 100  | ns   |
| C <sub>PD</sub>       | power dissipation capacitance | per channel; see Fig. 11 [4]   |       |      |      |                  |      |                   |      |      |
|                       |                               | V <sub>CC</sub> = 5.0 V  | -     | 30   | -    | -                | -    | -                 | -    | pF   |

- [1] t<sub>pd</sub> is the same as t<sub>PLH</sub> and t<sub>PHL</sub>.
- [2] t<sub>en</sub> is the same as t<sub>PZH</sub> and t<sub>PZL</sub>.
- [3] t<sub>dis</sub> is the same as t<sub>PLZ</sub> and t<sub>PHZ</sub>.
- [4] C<sub>PD</sub> is used to determine the dynamic power dissipation (P<sub>D</sub> in μW):  
 $P_D = C_{PD} \times V_{CC}^2 \times f_i + \sum\{(C_L + C_{sw}) \times V_{CC}^2 \times f_o\}$  where:  
 f<sub>i</sub> = input frequency in MHz;  
 f<sub>o</sub> = output frequency in MHz;  
 $\sum\{(C_L + C_{sw}) \times V_{CC}^2 \times f_o\}$  = sum of outputs;  
 C<sub>L</sub> = output load capacitance in pF;  
 C<sub>sw</sub> = switch capacitance in pF;  
 V<sub>CC</sub> = supply voltage in V.

11.1. Waveforms and test circuit

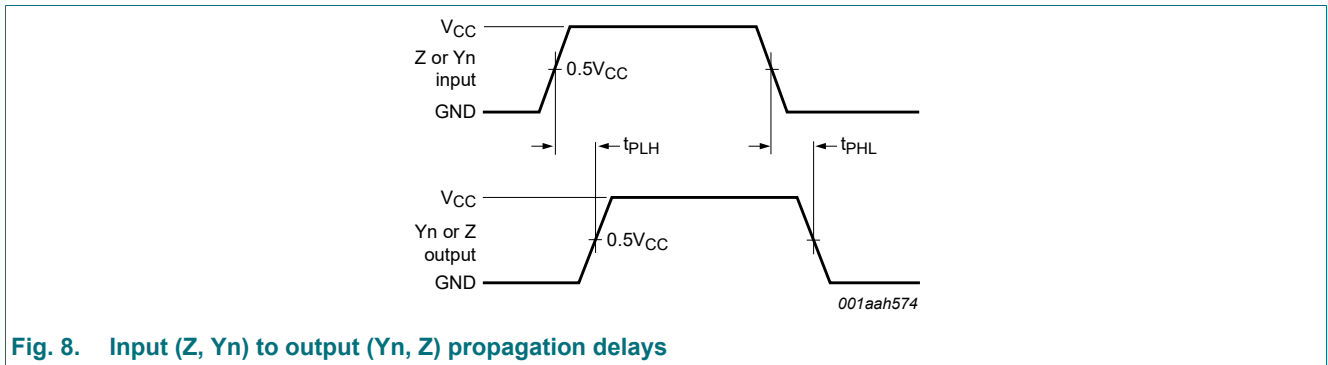
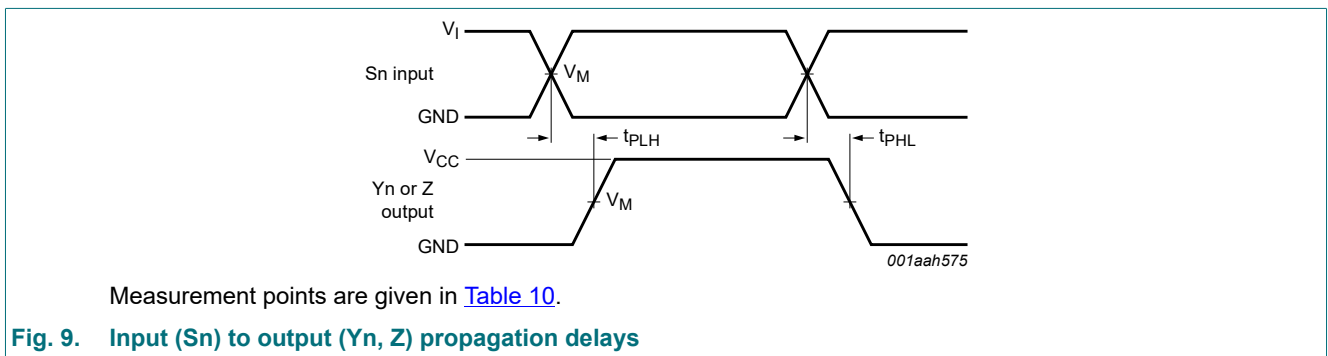


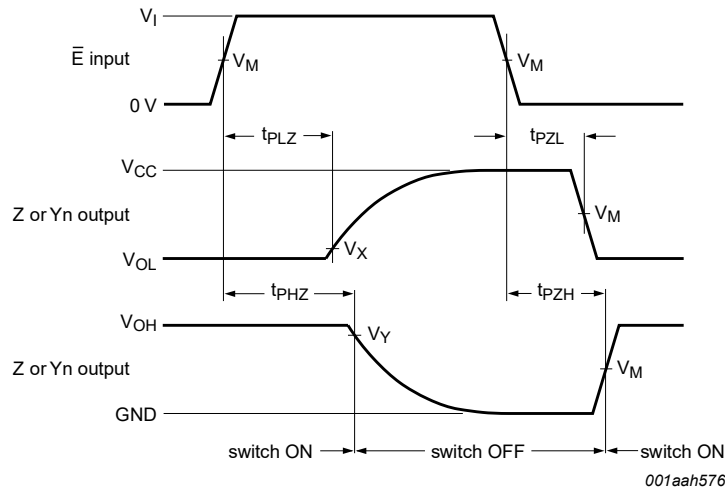
Fig. 8. Input (Z, Y<sub>n</sub>) to output (Y<sub>n</sub>, Z) propagation delays



Measurement points are given in Table 10.

Fig. 9. Input (S<sub>n</sub>) to output (Y<sub>n</sub>, Z) propagation delays

8-channel analog multiplexer/demultiplexer with injection-current effect control



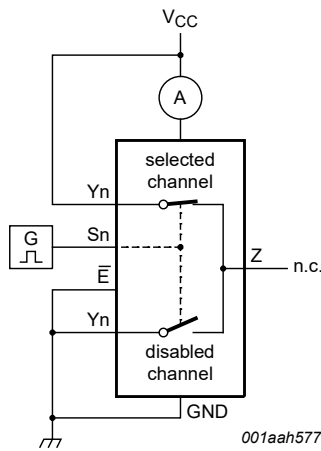
Measurement points are given in [Table 10](#).

Logic levels:  $V_{OL}$  and  $V_{OH}$  are typical output voltage levels that occur with the output load.

**Fig. 10. Enable and disable times**

**Table 10. Measurement points**

| Type           | Input               |          | Output              |   |                     |
|----------------|---------------------|----------|---------------------|---|---------------------|
|                | $V_M$               | $V_I$    | $V_M$               | $V_X$                                   | $V_Y$               |
| 74HC4851-Q100  | $0.5 \times V_{CC}$ | $V_{CC}$ | $0.5 \times V_{CC}$ | $V_{OL} + 0.1 \times (V_{CC} - V_{OL})$ | $0.9 \times V_{OH}$ |
| 74HCT4851-Q100 | 1.3 V               | 3.0 V    | $0.5 \times V_{CC}$ | $V_{OL} + 0.1 \times (V_{CC} - V_{OL})$ | $0.9 \times V_{OH}$ |



**Fig. 11. Test circuit for measuring power dissipation capacitance**

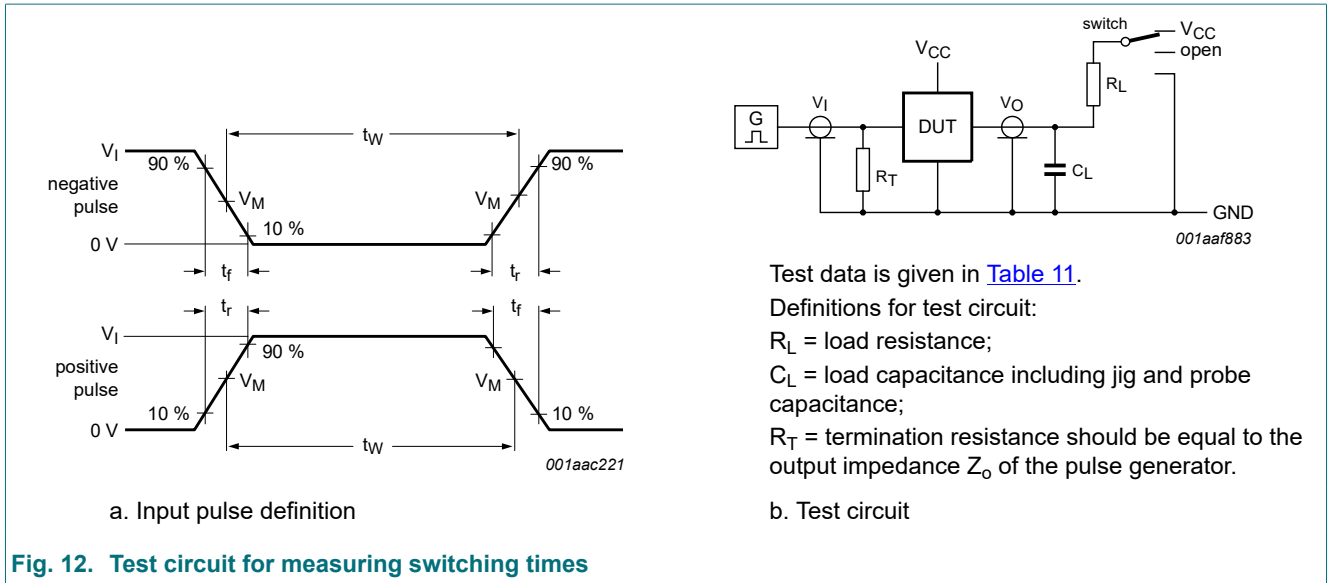


Fig. 12. Test circuit for measuring switching times

Table 11. Test data

| Test               | Input                  |               |            | Output        |               | S1 position |
|--------------------|------------------------|---------------|------------|---------------|---------------|-------------|
|                    | Control $\bar{E}$ , Sn | Switch Yn (Z) | $t_r, t_f$ | Switch Z (Yn) |               |             |
|                    | $V_I$ [1]              | $V_I$         |            | $C_L$         | $R_L$         |             |
| $t_{PHL}, t_{PLH}$ | $V_{CC}$               | $V_{CC}$      | 6 ns       | 50 pF         | -             | open        |
| $t_{PHZ}, t_{PZH}$ | $V_{CC}$               | $V_{CC}$      | 6 ns       | 50 pF         | 10 k $\Omega$ | GND         |
| $t_{PLZ}, t_{PZL}$ | $V_{CC}$               | $V_{CC}$      | 6 ns       | 50 pF         | 10 k $\Omega$ | $V_{CC}$    |
| $C_{PD}$           | $V_{CC}$               | $V_{CC}$      | 6 ns       | 0 pF          | -             | open        |

[1] For 74HCT4851-Q100: input voltage  $V_I = 3.0$  V.

## 12. Package outline

SO16: plastic small outline package; 16 leads; body width 3.9 mm

SOT109-1



Fig. 13. Package outline SOT109-1 (SO16)

TSSOP16: plastic thin shrink small outline package; 16 leads; body width 4.4 mm

SOT403-1



Fig. 14. Package outline SOT403-1 (TSSOP16)

DHVQFN16: plastic dual in-line compatible thermal enhanced very thin quad flat package; no leads; 16 terminals; body 2.5 x 3.5 x 0.85 mm

SOT763-1



Fig. 15. Package outline SOT763-1 (DHVQFN16)



## 13. Abbreviations

Table 12. Abbreviations

| Acronym | Description                             |
|---------|---|
| CDM     | Charged Device Model                    |
| CMOS    | Complementary Metal-Oxide Semiconductor |
| DUT     | Device Under Test                       |
| ESD     | ElectroStatic Discharge                 |
| HBM     | Human Body Model                        |
| MIL     | Military                                |
| MM      | Machine Model                           |

## 14. Revision history

Table 13. Revision history

| Document ID           | Release date  | Data sheet status  | Change notice | Supersedes            |
|-----------------------|---|--------------------|---------------|-----------------------|
| 74HC_HCT4851_Q100 v.4 | 20230515  | Product data sheet | -             | 74HC_HCT4851_Q100 v.3 |
| Modifications:        | <ul style="list-style-type: none"> <li><a href="#">Section 6.1</a> updated inline with 74HC_HCT4851.</li> </ul>   |                    |               |                       |
| 74HC_HCT4851_Q100 v.3 | 20200218  | Product data sheet | -             | 74HC_HCT4851_Q100 v.2 |
| Modifications:        | <ul style="list-style-type: none"> <li><a href="#">Section 2</a> updated.</li> </ul>  |                    |               |                       |
| 74HC_HCT4851_Q100 v.2 | 20180824  | Product data sheet | -             | 74HC_HCT4851_Q100 v.1 |
| Modifications:        | <ul style="list-style-type: none"> <li>The format of this data sheet has been redesigned to comply with the identity guidelines of Nexperia.</li> <li>Legal texts have been adapted to the new company name where appropriate.</li> </ul> |                    |               |                       |
| 74HC_HCT4851_Q100 v.1 | 20120802  | Product data sheet | -             | -                     |

## 15. Legal information

### Data sheet status

| Document status [1][2]         | Product status [3] | Definition  |
|--------------------------------|--------------------|---|
| Objective [short] data sheet   | Development        | This document contains data from the objective specification for product development. |
| Preliminary [short] data sheet | Qualification      | This document contains data from the preliminary specification.                       |
| Product [short] data sheet     | Production         | This document contains the product specification.                                     |

- [1] Please consult the most recently issued document before initiating or completing a design.
- [2] The term 'short data sheet' is explained in section "Definitions".
- [3] The product status of device(s) described in this document may have changed since this document was published and may differ in case of multiple devices. The latest product status information is available on the internet at <https://www.nexperia.com>.

### Definitions

**Draft** — The document is a draft version only. The content is still under internal review and subject to formal approval, which may result in modifications or additions. Nexperia does not give any representations or warranties as to the accuracy or completeness of information included herein and shall have no liability for the consequences of use of such information.

**Short data sheet** — A short data sheet is an extract from a full data sheet with the same product type number(s) and title. A short data sheet is intended for quick reference only and should not be relied upon to contain detailed and full information. For detailed and full information see the relevant full data sheet, which is available on request via the local Nexperia sales office. In case of any inconsistency or conflict with the short data sheet, the full data sheet shall prevail.

**Product specification** — The information and data provided in a Product data sheet shall define the specification of the product as agreed between Nexperia and its customer, unless Nexperia and customer have explicitly agreed otherwise in writing. In no event however, shall an agreement be valid in which the Nexperia product is deemed to offer functions and qualities beyond those described in the Product data sheet.

### Disclaimers

**Limited warranty and liability** — Information in this document is believed to be accurate and reliable. However, Nexperia does not give any representations or warranties, expressed or implied, as to the accuracy or completeness of such information and shall have no liability for the consequences of use of such information. Nexperia takes no responsibility for the content in this document if provided by an information source outside of Nexperia.

In no event shall Nexperia be liable for any indirect, incidental, punitive, special or consequential damages (including - without limitation - lost profits, lost savings, business interruption, costs related to the removal or replacement of any products or rework charges) whether or not such damages are based on tort (including negligence), warranty, breach of contract or any other legal theory.

Notwithstanding any damages that customer might incur for any reason whatsoever, Nexperia's aggregate and cumulative liability towards customer for the products described herein shall be limited in accordance with the Terms and conditions of commercial sale of Nexperia.

**Right to make changes** — Nexperia reserves the right to make changes to information published in this document, including without limitation specifications and product descriptions, at any time and without notice. This document supersedes and replaces all information supplied prior to the publication hereof.

**Suitability for use in automotive applications** — This Nexperia product has been qualified for use in automotive applications. Unless otherwise agreed in writing, the product is not designed, authorized or warranted to be suitable for use in life support, life-critical or safety-critical systems or

equipment, nor in applications where failure or malfunction of an Nexperia product can reasonably be expected to result in personal injury, death or severe property or environmental damage. Nexperia and its suppliers accept no liability for inclusion and/or use of Nexperia products in such equipment or applications and therefore such inclusion and/or use is at the customer's own risk.

**Quick reference data** — The Quick reference data is an extract of the product data given in the Limiting values and Characteristics sections of this document, and as such is not complete, exhaustive or legally binding.

**Applications** — Applications that are described herein for any of these products are for illustrative purposes only. Nexperia makes no representation or warranty that such applications will be suitable for the specified use without further testing or modification.

Customers are responsible for the design and operation of their applications and products using Nexperia products, and Nexperia accepts no liability for any assistance with applications or customer product design. It is customer's sole responsibility to determine whether the Nexperia product is suitable and fit for the customer's applications and products planned, as well as for the planned application and use of customer's third party customer(s). Customers should provide appropriate design and operating safeguards to minimize the risks associated with their applications and products.

Nexperia does not accept any liability related to any default, damage, costs or problem which is based on any weakness or default in the customer's applications or products, or the application or use by customer's third party customer(s). Customer is responsible for doing all necessary testing for the customer's applications and products using Nexperia products in order to avoid a default of the applications and the products or of the application or use by customer's third party customer(s). Nexperia does not accept any liability in this respect.

**Limiting values** — Stress above one or more limiting values (as defined in the Absolute Maximum Ratings System of IEC 60134) will cause permanent damage to the device. Limiting values are stress ratings only and (proper) operation of the device at these or any other conditions above those given in the Recommended operating conditions section (if present) or the Characteristics sections of this document is not warranted. Constant or repeated exposure to limiting values will permanently and irreversibly affect the quality and reliability of the device.

**Terms and conditions of commercial sale** — Nexperia products are sold subject to the general terms and conditions of commercial sale, as published at <http://www.nexperia.com/profile/terms>, unless otherwise agreed in a valid written individual agreement. In case an individual agreement is concluded only the terms and conditions of the respective agreement shall apply. Nexperia hereby expressly objects to applying the customer's general terms and conditions with regard to the purchase of Nexperia products by customer.

**No offer to sell or license** — Nothing in this document may be interpreted or construed as an offer to sell products that is open for acceptance or the grant, conveyance or implication of any license under any copyrights, patents or other industrial or intellectual property rights.

**Export control** — This document as well as the item(s) described herein may be subject to export control regulations. Export might require a prior authorization from competent authorities.

**Translations** — A non-English (translated) version of a document is for reference only. The English version shall prevail in case of any discrepancy between the translated and English versions.

### Trademarks

Notice: All referenced brands, product names, service names and trademarks are the property of their respective owners.

## Contents

---

|  |           |
|--|-----------|
| <b>1. General description</b> .....              | <b>1</b>  |
| <b>2. Features and benefits</b> .....            | <b>1</b>  |
| <b>3. Applications</b> .....                     | <b>1</b>  |
| <b>4. Ordering information</b> .....             | <b>2</b>  |
| <b>5. Functional diagram</b> .....               | <b>2</b>  |
| <b>6. Pinning information</b> .....              | <b>4</b>  |
| 6.1. Pinning.....                                | 4         |
| 6.2. Pin description.....                        | 4         |
| <b>7. Functional description</b> .....           | <b>5</b>  |
| <b>8. Limiting values</b> .....                  | <b>5</b>  |
| <b>9. Recommended operating conditions</b> ..... | <b>6</b>  |
| <b>10. Static characteristics</b> .....          | <b>6</b>  |
| <b>11. Dynamic characteristics</b> .....         | <b>10</b> |
| 11.1. Waveforms and test circuit.....            | 11        |
| <b>12. Package outline</b> .....                 | <b>14</b> |
| <b>13. Abbreviations</b> .....                   | <b>17</b> |
| <b>14. Revision history</b> .....                | <b>17</b> |
| <b>15. Legal information</b> .....               | <b>18</b> |

---

© Nexperia B.V. 2023. All rights reserved

For more information, please visit: <http://www.nexperia.com>

For sales office addresses, please send an email to: [salesaddresses@nexperia.com](mailto:salesaddresses@nexperia.com)

Date of release: 15 May 2023

---