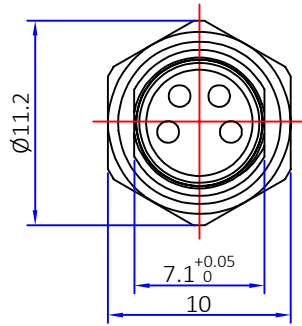
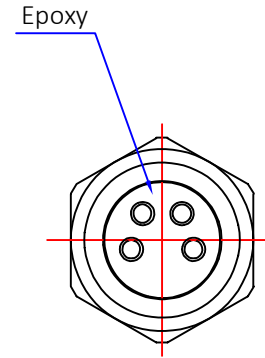
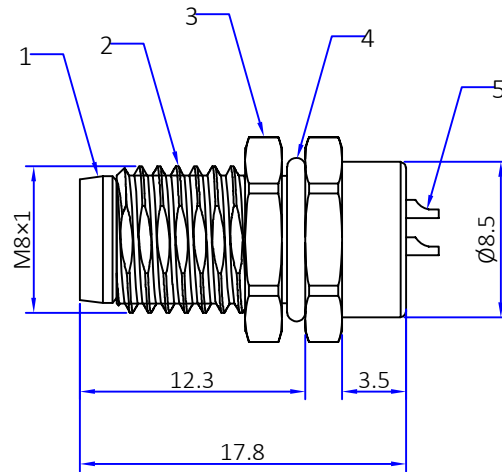




Rev	描述 Description	变更编号 Change number	日期 Date
A	First issue	---	2023/06/07



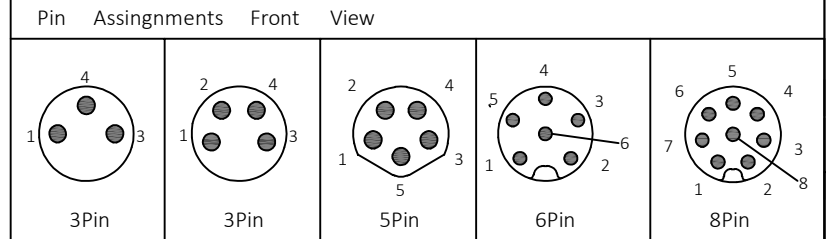
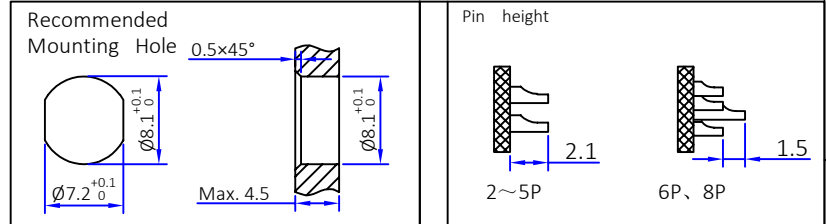
Front View



Rear View

NOTES:

- Rated voltage/current: 3pin: 60V/3A  
4pin: 60V/3A  
5pin: 60V/3A  
6, 8pin: 30V/1A
- Withstanding voltage: 3, 4pin: AC850V/1 Min.  
5, 6, 8pin: AC650V/1 Min
- Levels of protection: IP67
- Connection mode: Soldering
- Operating temperature: -20°C ~ +85°C
- RoHS Compliance



5	Contacts	Brass	Gold	3-8PCS
4	O-Ring	Rubber	/	1PCS
3	Nut M8*1	Brass	Nickel	1PCS
2	Body	Brass	Nickel	1PCS
1	Insulator	PA66	Black	1PCS
No.	描述 Description	材质 Material	材质 Finish	数量 Qty/Unit

The View		<b>dosinconn</b> DOSIN INDUSTRIAL(HK)CO.,LTD 江门市德索连接器有限公司 Jiangmen Dosin Connector Co., LTD		Web: <a href="http://www.dosinconn.com">http://www.dosinconn.com</a> Dosin2005@dosin-china.com Tel:(0086)769-81153906 Fax:(0086)769-81875836	
单位 unit	mm	页码 page	1/1	料号 Part Number: DS869MCS0281 产品名称 Product name: Circular Panel Mount, Male, M8	
图号 Drawing NO		未注公差 Unmarked tolerance		绘图 Draw drawing: Huang guanhui	
文件保密 File security This drawing shall not be copied, circulated or used for other purposes without permission. 本图纸未经许可, 不可复制、外传或它用		零部 件 Parts: X. ±0.5, X.X ±0.20, X.XX ±0.10 线性 Line: ≤10 ±1, 10~50 ±1.5, >50 ±4% 角度 angle ±3°		审核 Check: FuLiu 客户确认 Customer confirmation	