

Quartz Crystal Metal Can (SMD)

GC GF



11.5 x 4.5 x 4.0mm SMD

Product Features

- Standard: 4.0mm Max height GC Series
- Low profile: 3.0mm Max height GF Series
- Available on tape & reel, 24mm tape, 1000 units per reel
- Pb-free and RoHS/Green compliant.

Product Description

The crystals are miniature AT or BT cut strip resonators housed in low profile packages for surface mounting. The parts utilize a proven, low-cost, metal package technology with a precision molded base and universal contact configuration.

Applications

- Set-Top Box/Multimedia
- Clock/VCXO Multiplier
- Network Adapter Cards
- Modems
- Microcontrollers and Processors
- Remote control devices

Frequency Range:

- 3.2 to 40.000 MHz, AT Fundamental
- 30.0 to 54.000 MHz, AT 3rd Overtone
- 40.0 to 54.000 MHz, BT Fundamental

Characteristics at 25°C ±2°C:

- Frequency Calibration Tolerance: ±30ppm
- Load Capacitance: 8 to 32pF or Series Resonance
- Effective Series Resistance (ESR):
 - Fundamental: 20 to 200Ω max depending on frequency
 - 3rd Overtone: 40 to 100Ω max depending on frequency
- Drive Level: 100μW typ. (500μW Max)
- Shunt Capacitance: 7pF Max

Temperature Range:

- Operating: -20 to +70°C or -40 to +85°C
- Storage: -55 to +125°C

Temperature Stability:

- ±10, ±20, ±30ppm (-20 to +70°C) AT Cut
- ±30, ±50 ppm (-40 to +85°C) AT Cut
- 0 to -100ppm (-20 to +70°C) BT Cut

Aging @ 25°C, first year:

- ±5ppm Max

Reflow Temperature:

- 260°C Max, 10 seconds Max (RoHS package)

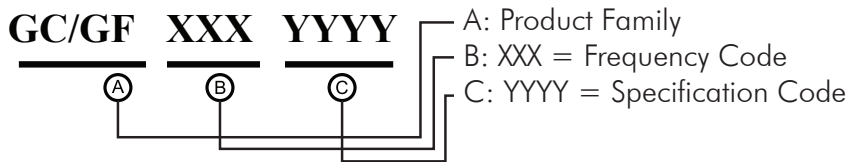
Mechanical:

- Shock: JESD22-B104 Condition B
- Solderability: MIL-STD-883, Method 2003 (non-RoHS package)
- Solderability: J-STD-002(RoHS package)
- Terminal Strength: MIL-STD-883 Method 2004
- Vibration: JESD22-B103
- Solvent Resistance: JESD22-B107
- Resistance to Soldering Heat: MIL-STD-202, Method 210, Condition I or J (Non-RoHS package)
- Resistance to Soldering Heat: J-STD-020C Table 5-2 Pb-free devices (3 cycles max) (RoHS package)

Environmental:

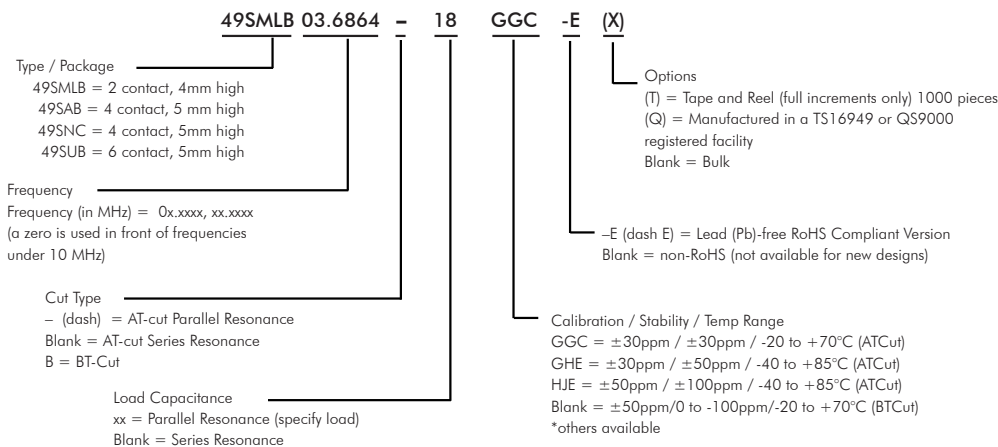
- Gross Test Leak: JESD22-A109, Condition C
- Fine Test Leak: JESD22-A109, Condition A1
- Moisture Resistance: JESD22-A113
- Insulation Resistance: 500 MΩ min (100 VDC)

Part Ordering Information:



Following the above format, Saronix-eCera part numbers will be assigned upon confirmation of exact customer requirements.

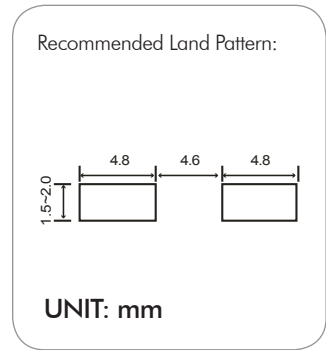
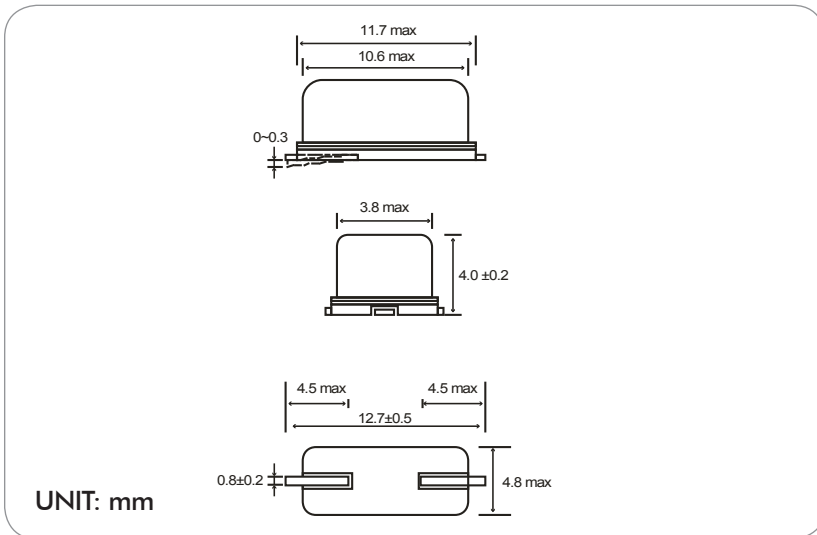
Legacy Ordering Information - For Reference Only:



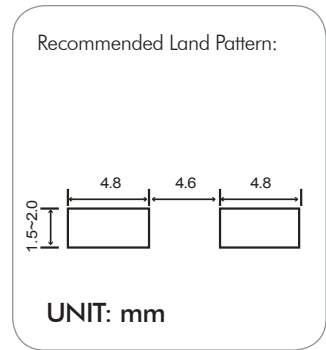
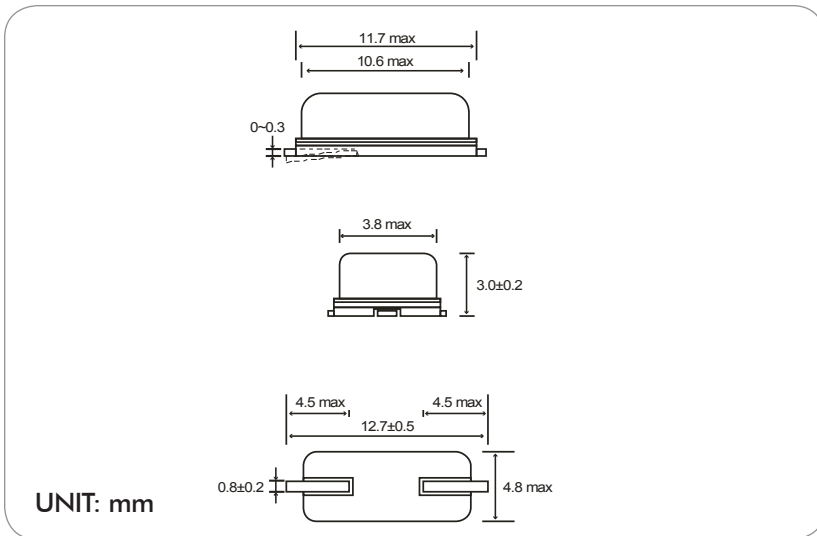
Part Number Example:

Freq 5.1234MHz, $\pm 30\text{ppm}$ calib, $\pm 30\text{ppm}$ stability, $-20 \text{ to } +70^\circ\text{C}$, 16pF
 = 49SMLB05.1234-16GGC
 = 49SMLB05.1234-16GGC-E (for Pb-Free/RoHS Compliant)

Mechanical Drawings: GC Series



Mechanical Drawings: GF Series (Low Profile)



Mouser Electronics

Authorized Distributor

Click to View Pricing, Inventory, Delivery & Lifecycle Information:

Diodes Incorporated:

[GC3100002](#) [GF1200008](#) [GC0400038](#) [GC1070001](#) [GF1300001](#) [GC2500030](#) [GC1600045](#) [GC3000014](#)
[GC2400002](#) [GC1200049](#) [GC3200013](#) [GC1250003](#) [GC1600036](#) [GC2500103](#) [GC2500117](#) [49SMLB07.3728-20GHE-](#)
[E](#) [GC0730020](#) [GC0800003](#) [GC2120001](#) [GC1100011](#) [GC1220001](#) [GC2000003](#) [GC0400017](#) [GC4800028](#)
[GC2500178](#) [GC0400026](#) [GC2500147Z](#) [GC2400065Z](#) [GC2500086](#) [GF2600003](#) [GC2480003](#) [GC2500065](#)
[GC1000022](#) [GC2500141](#) [GC1600022](#) [GC2500027](#) [GF2400001](#) [GF0400006](#) [GC0600024](#) [GC2500007](#) [GC0980006](#)
[GC2450037](#) [GC1200043](#) [GC0400057](#) [GC0350001](#) [GC2400060](#) [GC2500036](#) [GC2500158](#) [GC2700046](#)
[GC1630008](#) [GC0600007](#) [GC1600020](#) [GC0600001](#) [GC2500142](#) [49SMLB160-E\(T\)](#) [49SMLB25.0000-16GGC-E\(T\)](#)
[GF2700010](#) [GC0810004](#) [GC0360021](#) [GC0800059](#) [GC1470011](#) [GC0800048](#) [GC2700006](#) [GC1430037](#)
[49SMLB20.0000-18GGC-E\(T\)](#) [GC1600003](#) [GC0400018](#) [GC1200021](#) [GC2500073](#) [GC2500137](#) [GC0600012](#)
[GC2500161](#) [49SMLB250-22-E\(T\)](#) [GC2820007](#) [GF2500001](#) [GC3530005](#) [GC1880001](#) [GC1200008](#) [GF0980001](#)
[GC0490013](#) [GC0500004](#) [GC2700048](#) [GC4800001](#) [GF2500010](#) [GC0800055](#) [GC2500143](#) [GC1840020](#) [GC2700015](#)
[GC1220003](#) [GC1100013](#) [GC2400044](#) [GC0500006](#) [GC1430004](#) [GC4800022](#) [GC3000001](#) [GC0350016](#)
[GC3300005](#) [GC1200004](#) [GC2400045](#) [GC1940007](#)