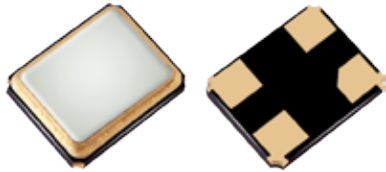


FL Series Quartz Crystal Legacy NKS3 Series
3.2 x 2.5mm

Miniature Quartz Crystal Ceramic SMD

FL



3.2 x 2.5mm Ceramic SMD

Product Description

The 4-pad FL series seam seal devices incorporate a sub-miniature AT-cut crystal resonator housed in a standard 3.2 x 2.5mm ceramic package.

These compact crystals are ideal for surface mounting in densely populated or small form-factor PCB applications.

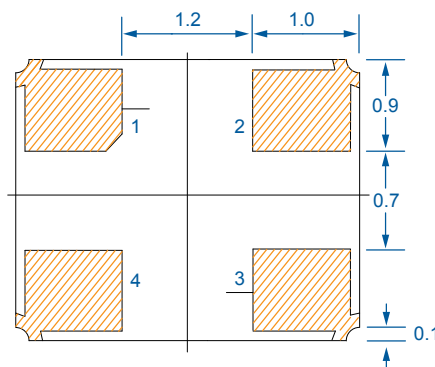
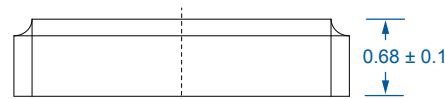
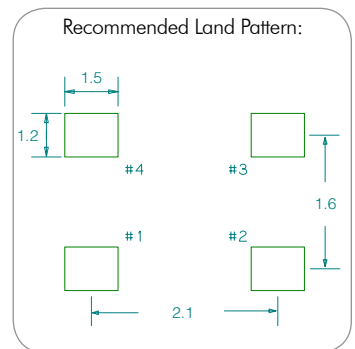
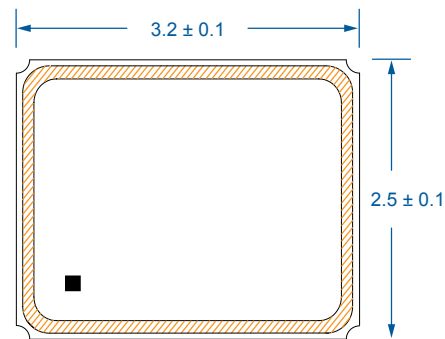
Product Features

- Rugged AT-cut crystal construction
- Miniature 3.2 x 2.5mm ceramic package
- Available on tape & reel; 8mm tape, 3000 units per reel
- Pb-free and RoHS/Green compliant

Typical Applications

- GSM, CDMA, GPRS
- PCMCIA Cards
- Portable / hand-held PCs
- Notebook PC
- HDD
- GPS
- Bluetooth
- Wireless LAN
- UWB
- ZigBee
- Digital Tuner

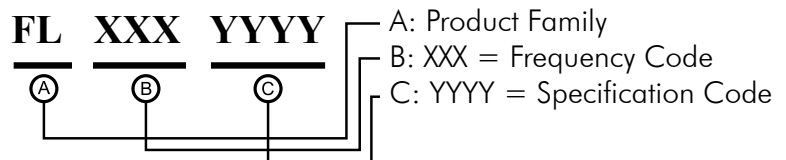
Package: (Scale: none; dimensions are in mm)



Pin Functions:

Pin	Function
1	Xtal
2	Case
3	Xtal
4	Case

Part Ordering Information:



Following the above format, Saronix-eCera part numbers will be assigned upon confirmation of exact customer requirements.

Miniature Quartz Crystal Ceramic SMD **FL**



A product Line of
Diodes Incorporated



FL Series Quartz Crystal
Legacy NKS3 Series | 3.2 x 2.5mm

Frequency Range:

- 8 MHz to 66.0000 MHz (Fundamental)

Characteristics at 25°C ±2°C:

- Frequency Calibration Tolerance: ±10ppm, ±20ppm, or ±30ppm
- Load Capacitance: 8 to 32pF or Series Resonance
- Effective Series Resistance (ESR):
 - 500Ω max (8 to 11.9 MHz)
 - 80Ω max (12 to 19.9 MHz)
 - 60Ω max (20 to 29.9 MHz)
 - 40Ω max (30 to 66 MHz)
- Drive Level: 10μW typ. (100μW max)
- Shunt Capacitance: 5pF Max

Temperature Range:

- Operating: -20 to +70°C or -40 to +85°C or -40 to +125°C
- Storage: -55 to +125°C

Temperature Stability:

- ±10ppm, ±20ppm, ±30ppm, or ±50ppm (-20 to +70°C)
- ±30ppm, or ±50ppm (-40 to +85°C)
- ±50ppm, or ±70ppm (-40 to 125°C)

Aging at 25°C, First Year:

- ±3ppm Max

Reflow Temperature:

- 260°C Max, 10 seconds Max

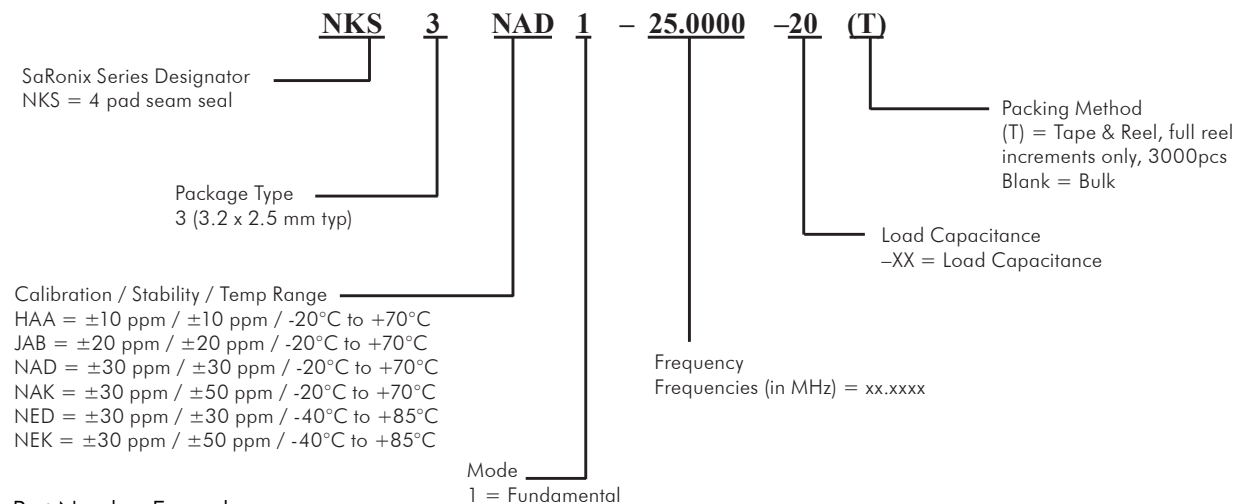
Mechanical

- Shock: JESD22-B104 Condition B
- Solderability: J-STD-002
- Terminal Strength: MIL-STD-883 Method 2004
- Vibration: JESD22-B103
- Solvent Resistance: JESD22-B107
- Resistance to Soldering Heat: J-STD-020C Table 5-2 Pb-free devices (3 cycles max)

Environmental

- Gross Test Leak: JESD22-A109, Condition C
- Fine Test Leak: JESD22-A109, Condition A1
- Moisture Resistance: JESD22-A113
- Insulation Resistance: 500 MΩ min (100 VDC)

Legacy Ordering Information - For Reference Only:



Part Number Example:

Spec: Freq 18.1234MHz, ±30ppm calib, ±30ppm stab, -20 to +70°C, 16pF, T&R = NKS3NAD1-18.1234-16(T)

Mouser Electronics

Authorized Distributor

Click to View Pricing, Inventory, Delivery & Lifecycle Information:

Diodes Incorporated:

[FL2500022](#) [FL5000063Z](#) [FL2700102Z](#) [FL1350008](#) [FL4800063Z](#) [FL4000205Z](#) [FL1200112](#) [FL5000058Z](#)
[FL4000157Z](#) [FL2000059](#) [FL1000002](#) [FL2000038](#) [FL1840007](#) [FL1600087](#) [FL1840006](#) [FL1920031](#) [FL2500133](#)
[FL2500137Z](#) [FL2600177Z](#) [FL3740009](#) [FL2400022](#) [FL2400135Z](#) [FL2000132Z](#) [FL2400041](#) [FL2500279Z](#)
[FL2500283Z](#) [FL3740015](#) [FL1200135](#) [FL1200138](#) [FL2400081](#) [FL2500281](#) [FL1200060](#) [FL3200037](#) [FL2400067](#)
[FL3000027](#) [FL3000037](#) [FL5000014](#) [FL2500328](#) [FL2000057](#) [FL2000099A](#) [FL2000141](#) [FL2000144](#) [FL2180001](#)
[FL2400095](#) [FL2400159](#) [FL2450032](#) [FL2500066](#) [FL2500096](#) [FL2500121Z](#) [FL2500155Z](#) [FL2500157](#) [FL2500246](#)
[FL2500249](#) [FL2500323](#) [FL2500327](#) [FL1200044](#) [FL1350025](#) [FL1470016](#) [FL1600124](#) [FL1600128](#) [FL1920048](#)
[FL1200092](#) [FL1200103](#) [FL1600088](#) [FL2000087](#) [FL2210005](#) [FL2400040](#) [FL2400044](#) [FL2400137](#) [FL2500013](#)
[FL2500032](#) [FL2500079](#) [FL2500091](#) [FL2500101](#) [FL2500117](#) [FL2500130](#) [FL2500174](#) [FL2500179](#) [FL2500240](#)
[FL1200068](#) [FL1200180](#) [FL1690007](#) [FL2000026](#) [FL2000033](#) [FL2000072](#) [FL2000083](#) [FL2000117](#) [FL2000120](#)
[FL2400005](#) [FL1200129](#) [FL1200130](#) [FL1200132](#) [FL1220026](#) [FL1350009](#) [FL1920051](#) [FL1920053Z](#) [FL2000056](#)
[FL2400050](#) [FL2400106](#) [FL2400165](#)