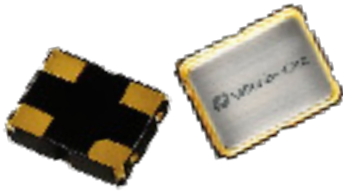


3.3V CMOS Low Jitter XO

FJ


2.5 x 2.0mm Ceramic SMD

Product Features

- 1 to 156.25 MHz Frequency Range
- <1 ps RMS jitter with fundamental or overtone design
- 3.3V CMOS compatible logic levels
- Designed for standard reflow and washing techniques
- Low power standby mode: 10 μ A max
- Pb-free and RoHS/Green compliant

Product Description

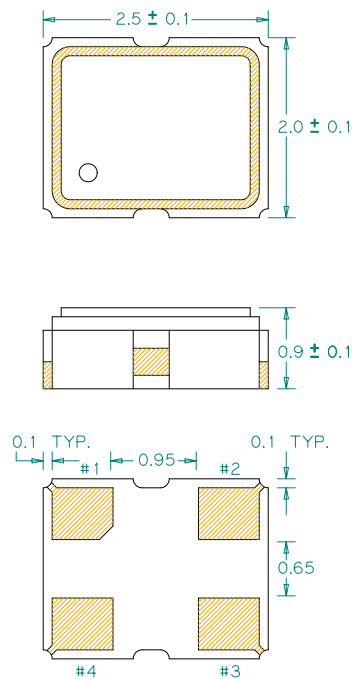
The FJ Series crystal clock oscillator achieves superb jitter and stability over a broad range of operating conditions and frequencies. The output clock signal, generated internally with a non-PLL oscillator design, is compatible with LVCMOS logic levels. The device, available on tape and reel, is contained in a 2.5 x 2.0mm surface-mount ceramic package.

Applications

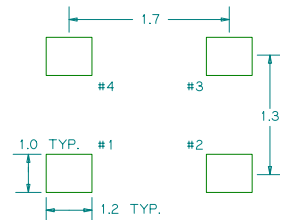
Ideal for compact, high-density applications:

- WLAN
- HBA
- Portable Multimedia Player (PMP)
- Notebook Computer
- SDIO / PCMCIA CARD
- USB BT Interface
- Bluetooth

Package:



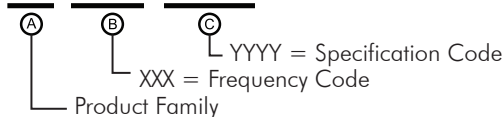
Recommended Land Pattern:



Pin Functions:

Pin	Function
1	OE
2	Ground
3	Clock Output
4	V _{DD}

Part Ordering Information:

FJ XXX YYYY


Following the above format, Saronix-eCera part numbers will be assigned upon confirmation of exact customer requirements.

Electrical Performance

Parameter	Min.	Typ.	Max.	Units	Notes
Output Frequency	1		156.25	MHz	As specified
Supply Voltage	2.97	3.30	3.63	V	
Supply Current, Output Enabled			5	mA	1 to 156.25 MHz
Supply Current, Standby Mode			10	μA	Output Hi-Z
Frequency Stability			±20 to ±50	ppm	See Note 1 below
Operating Temperature Range	-20		+70	°C	Commercial (standard)
	-40		+85		Industrial (standard)
Output Logic 0, V _{OL}			10% V _{DD}	V	
Output Logic 1, V _{OH}	90% V _{DD}			V	
Output Load			15	pF	
Duty Cycle	45		55	%	Measured 50% V _{DD}
Rise and Fall Time			7	ns	Measured 20/80% of waveform
Jitter, Phase			1	ps RMS (1-σ)	12kHz to 20 MHz frequency band
Jitter, Accumulated			5	ps RMS (1-σ)	20.000 adjacent periods
Jitter, Total			50	ps pk-pk	100.000 random periods

Notes:

- Stability includes all combinations of operating temperature, load changes, rated input (supply) voltage changes, initial calibration tolerance (25°C), aging (1 year at 25°C average effective ambient temperature), shock and vibration.
- For specifications other than those listed, please contact sales.

Output Enable / Disable Function

Parameter	Min.	Typ.	Max.	Units	Notes
Input Voltage (pin 1), Output Enable	0.7 V _{DD}			V	or open
Input Voltage (pin 1), Output Disable (low power standby)			0.3 V _{DD}	V	Output is Hi-Z
Internal Pullup Resistance	30			kΩ	
Output Disable Delay			100	ns	
Output Enable Delay			10	ms	

Absolute Maximum Ratings

Parameter	Min.	Typ.	Max.	Units	Notes
Storage Temperature	-55		+125	°C	

For the latest product information visit: <http://www.pericom.com/products/timing/oscillators/FJ3.3/>

For test circuit go to: http://www.pericom.com/pdf/sre/tc_hcm052.pdf

For soldering reflow profile and reliability test ratings go to: <http://www.pericom.com/pdf/sre/reflow.pdf>

For tape and reel information go to: http://www.pericom.com/pdf/sre/tr_2520_xo.pdf

Mouser Electronics

Authorized Distributor

Click to View Pricing, Inventory, Delivery & Lifecycle Information:

Diodes Incorporated:

[FJ2400020](#) [FJ2450001](#) [FJ2450003](#) [FJ2600006](#) [FJ3630001Q](#) [FJ1770001](#) [FJ2400004](#) [FJ2500004](#) [FJ2500031](#)
[FJ1690002](#) [FJ2400008](#) [FJ2400012](#) [FJ2500007](#) [FJ2500039](#) [FJ3300004](#) [FJ0200004](#) [FJ2500016](#) [FJ2500020](#)
[FJ4400001](#) [FJ2000002](#) [FJ2000006](#) [FJ2250002](#) [FJ2500011](#) [FJ2500014](#) [FJ2700024](#) [FJ7500003](#) [FJ0200005](#)
[FJ0500001](#) [FJ1920006](#) [FJ2600024](#) [FJ5000011](#) [FJ1000004](#) [FJ1300006](#) [FJ8960001Q](#) [FJ0360004](#) [FJ2400010](#)
[FJ2500010](#) [FJ3710001](#) [FJ5000013](#) [FJ5000024](#) [FJ7200001](#) [FJC500002](#) [FJ5000023Z](#) [FJ4000005](#) [FJ5000008](#)
[FJ5000015](#) [FJ6550001](#) [FJE850001Q](#) [FJ2600029](#) [FJ3300005](#) [FJ3710006](#) [FJ3740002](#) [FJ2000006W](#) [FJ2250007](#)
[FJ2400014](#) [FJ2600010](#) [FJ3330002](#) [FJ3330005](#) [FJ3330008](#) [FJ1000003](#) [FJ2500042](#) [FJ2600009](#) [FJ5000019](#)
[FJ5000021](#) [FJ2700025Z](#) [FJ3000002](#) [FJ5000004](#) [FJA000001](#) [FJC500001](#) [FJ0800001](#) [FJ2500041](#) [FJ1630002](#)