

# 3.3V CMOS Low Jitter XO

**FD**



5.0 x 3.2mm Ceramic SMD

### Product Features

- 1 to 133MHz Frequency Range
- <1 ps RMS jitter with fundamental or overtone design
- Low power standby mode
- Pb-free and RoHS/Green compliant

### Product Description

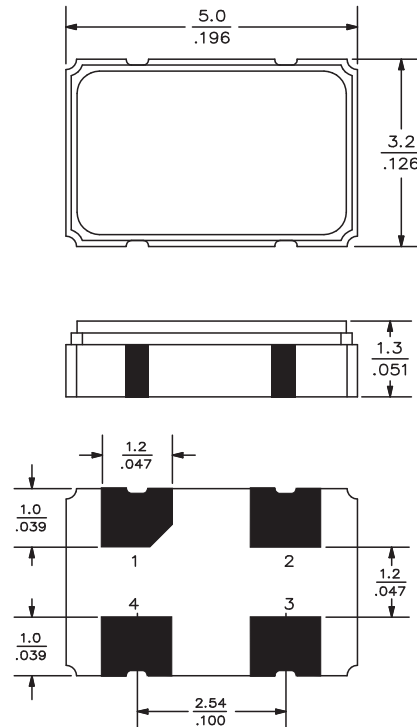
The FD Series 3.3V crystal clock oscillator achieves superb jitter and stability over a broad range of operating conditions and frequencies. The output clock signal, generated internally with a non-PLL oscillator design, is compatible with LVCMOS/LVTTL logic levels. The device, available on tape and reel, is contained in a 5.0 x 3.2mm surface-mount ceramic package.

### Applications

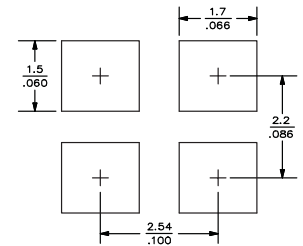
The FD Series is ideal for compact, high-density applications requiring low jitter or tight stability, including:

- Ethernet
- EPON
- Fibre Channel
- Serial Attached SCSI (SAS)
- Server & Storage platforms
- SONET/SDH linecards
- T1/E1, T3/E3 linecards
- DSLAM
- 802.11 a/b/g WiFi

### Package:



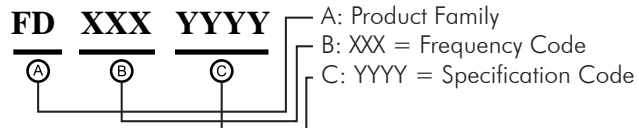
### Recommended Land Pattern:



### Pin Functions:

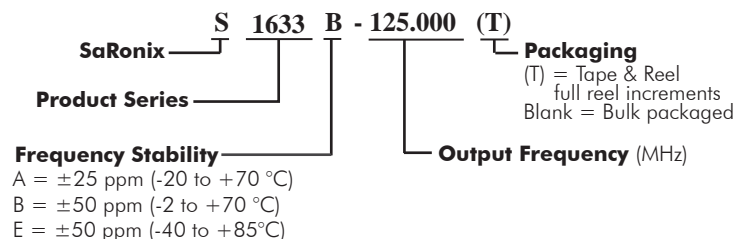
Pin	Function
1	OE Function
2	Ground
3	Clock Output
4	V <sub>DD</sub>

### Part Ordering Information:



Following the above format, Saronix-eCera part numbers will be assigned upon confirmation of exact customer requirements.

### Legacy Ordering Information - For Reference Only:



### Electrical Performance

Parameter	Min.	Typ.	Max.	Units	Notes
Output Frequency	1		133	MHz	As specified
Supply Voltage	2.97	3.30	3.63	V	
Supply Current, Output Enabled			15	mA	1 to 50 MHz
			25		50 to 80 MHz
			45		80 to 133 MHz
Supply Current, Standby Mode			10	μA	Output Hi-Z
Frequency Stability			±20 to ±50	ppm	See Note 1 below
Operating Temperature Range	-20		+70	°C	Commercial (standard)
	-40		+85		Industrial (standard)
Output Logic 0, V <sub>OL</sub>			10% V <sub>DD</sub>	V	
Output Logic 1, V <sub>OH</sub>	90% V <sub>DD</sub>			V	
Output Load			15	pF	See Note 2 below
Duty Cycle	45		55	%	Measured 50% V <sub>DD</sub>
Rise and Fall Time	up to 40 MHz		7	ns	Measured 20/80% of waveform
	40 to 80 MHz		5		
	80 to 133 MHz		2.5		
Jitter, Phase	1 to 133 MHz		1	ps RMS (1-σ)	10kHz to 20 MHz frequency band
Jitter, Accumulated	up to 80 MHz		5	ps RMS (1-σ)	20.000 adjacent periods
	80 to 133 MHz		3		
Jitter, Total	up to 80 MHz		50	ps pk-pk	100.000 random periods
	80 to 133 MHz		30		

#### Notes:

- Stability includes all combinations of operating temperature, load changes, rated input (supply) voltage changes, initial calibration tolerance (25°C), aging (1 year at 25°C average effective ambient temperature), shock and vibration.
- For specifications other than those listed, please contact sales.

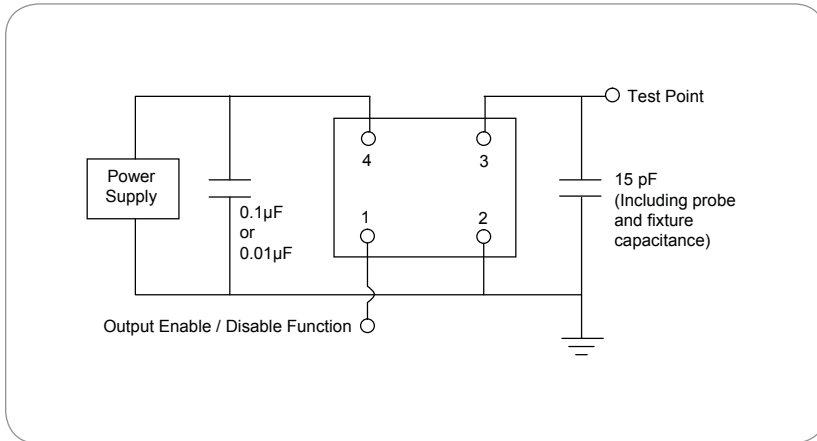
### Output Enable / Disable Function

Parameter	Min.	Typ.	Max.	Units	Notes
Input Voltage (pin 1), Output Enable	2.0			V	or open
Input Voltage (pin 1), Output Disable (low power standby)			0.5	V	Output is Hi-Z
Internal Pullup Resistance	50			kΩ	
Output Disable Delay			100	ns	
Output Enable Delay			10	ms	

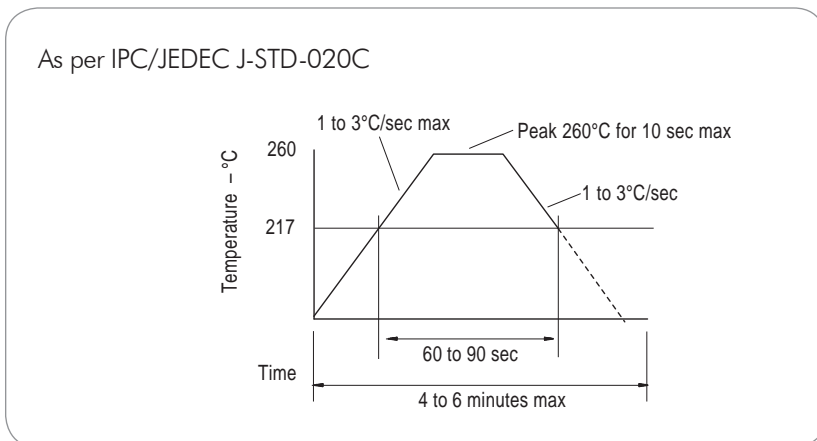
### Absolute Maximum Ratings

Parameter	Min.	Typ.	Max.	Units	Notes
Storage Temperature	-55		+125	°C	

## Test Circuit



## Reflow Soldering Profile



## Reliability Test Ratings

This product is rated to meet the following test conditions:

Type	Parameter	Test Condition
Mechanical	Shock	MIL-STD-883, Method 2002, Condition B
Mechanical	Solderability	JESD22-B102-D Method 2 (Preconditioning E)
Mechanical	Terminal strength	MIL-STD-883, Method 2004, Condition D
Mechanical	Gross leak	MIL-STD-883, Method 1014, Condition C
Mechanical	Fine leak	MIL-STD-883, Method 1014, Condition A2 ( $R_1 = 2 \times 10^{-8}$ atm cc/s)
Mechanical	Solvent resistance	MIL-STD-202, Method 215
Environmental	Thermal shock	MIL-STD-883, Method 1011, Condition A
Environmental	Moisture resistance	MIL-STD-883, Method 1004
Environmental	Vibration	MIL-STD-883, Method 2007, Condition A
Environmental	Resistance to soldering heat	J-STD-020C Table 5-2 Pb-free devices (2 cycles max)

# Mouser Electronics

Authorized Distributor

Click to View Pricing, Inventory, Delivery & Lifecycle Information:

## Diodes Incorporated:

[FD1470017](#) [FD2500058](#) [FDA000019](#) [FD1470018](#) [FD3300020](#) [FD2500099](#) [FD1430006](#) [FD0400005](#) [FD2400026](#)  
[FD4000094](#) [FDC500027](#) [FD3330038](#) [FD2500104](#) [FD2500066](#) [FD0150002](#) [FD5000031](#) [FD4000057](#) [FD1200036](#)  
[FD2000062](#) [FD4000001A](#) [FD5000067](#) [FD3600008](#) [FD1200032](#) [FD6550003](#) [FD3840006](#) [FD1200023](#) [FDA000017](#)  
[FD4000150](#) [FD2700020](#) [FD2500002](#) [FD0100001](#) [FD2860008](#) [FD4000006](#) [FD2500081](#) [FD4000130](#) [FD2500068](#)  
[FD2400027](#) [FD2000054](#) [FD1120010](#) [FD3600010](#) [FD2250003](#) [FD2700032](#) [FD2500084](#) [FD2500024](#) [FD2500093](#)  
[FD4000118](#) [FD3330029](#) [FD2000054Q](#) [FD2500055](#) [FD2500116](#) [FD2660005](#) [FD2600001](#) [FD2500053](#) [FDC500015](#)  
[FD2450026](#) [FD4000128](#) [FD4000133](#) [FD3300028](#) [FD2600038](#) [FD3330035](#) [FD0800019](#) [FD1200037](#) [FD4000096](#)  
[FD4000109](#) [FD1430011](#) [FD3300026](#) [FDD300003](#) [FD1430024](#) [FD4000140](#) [FD2500100](#) [FD6660006](#) [FD3330001](#)  
[FD2500063](#) [FD5000041Q](#) [FD0400027](#) [FDC500004W](#) [FD2000060](#) [FD0980001](#) [FDC500004](#) [FD2500044](#)  
[FDC500007](#) [FD2500108](#) [FD1600022](#) [FD4000145](#) [FD2660007](#) [FD3270006](#) [FD2400034](#) [FD2400025](#) [FD3330025](#)  
[FD4000058](#) [FD0400023](#) [FD4000081](#) [FDA000023](#) [FD2500040](#) [FD0200020](#) [FD0100005](#) [FD4000018](#) [FD1200041](#)  
[FD4800004](#) [FD2500087](#)