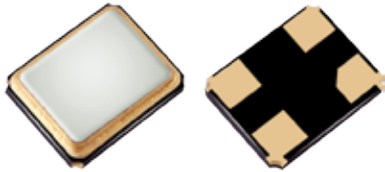


FL Series Quartz Crystal Legacy NKS3 Series
3.2 x 2.5mm

Miniature Quartz Crystal Ceramic SMD

FL



3.2 x 2.5mm Ceramic SMD

Product Description

The 4-pad FL series seam seal devices incorporate a sub-miniature AT-cut crystal resonator housed in a standard 3.2 x 2.5mm ceramic package.

These compact crystals are ideal for surface mounting in densely populated or small form-factor PCB applications.

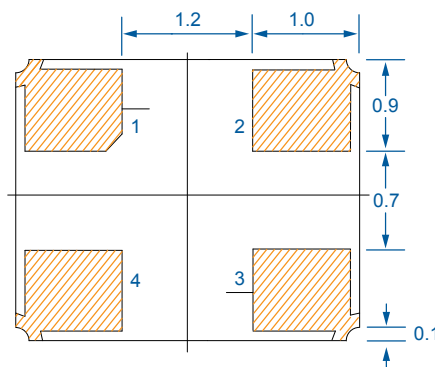
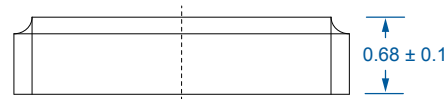
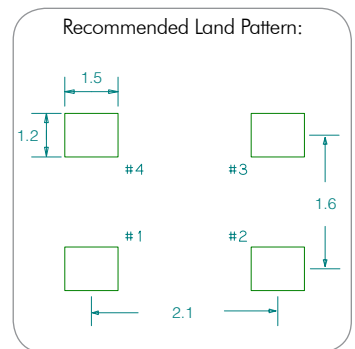
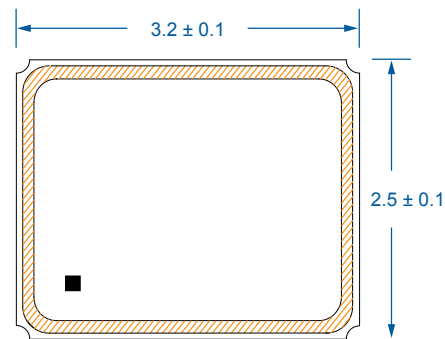
Product Features

- Rugged AT-cut crystal construction
- Miniature 3.2 x 2.5mm ceramic package
- Available on tape & reel; 8mm tape, 3000 units per reel
- Pb-free and RoHS/Green compliant

Typical Applications

- GSM, CDMA, GPRS
- PCMCIA Cards
- Portable / hand-held PCs
- Notebook PC
- HDD
- GPS
- Bluetooth
- Wireless LAN
- UWB
- ZigBee
- Digital Tuner

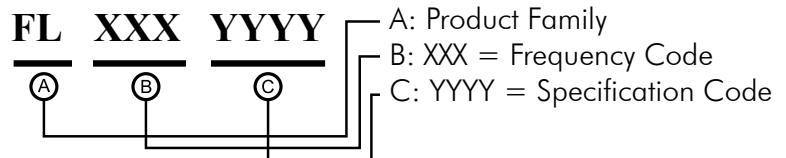
Package: (Scale: none; dimensions are in mm)



Pin Functions:

Pin	Function
1	Xtal
2	Case
3	Xtal
4	Case

Part Ordering Information:



Following the above format, Saronix-eCera part numbers will be assigned upon confirmation of exact customer requirements.

Frequency Range:

- 8 MHz to 66.0000 MHz (Fundamental)

Characteristics at 25°C ±2°C:

- Frequency Calibration Tolerance: ±10ppm, ±20ppm, or ±30ppm
- Load Capacitance: 8 to 32pF or Series Resonance
- Effective Series Resistance (ESR):
 - 500Ω max (8 to 11.9 MHz)
 - 80Ω max (12 to 19.9 MHz)
 - 60Ω max (20 to 29.9 MHz)
 - 40Ω max (30 to 66 MHz)
- Drive Level: 10μW typ. (100μW max)
- Shunt Capacitance: 5pF Max

Temperature Range:

- Operating: -20 to +70°C or -40 to +85°C or -40 to +125°C
- Storage: -55 to +125°C

Temperature Stability:

- ±10ppm, ±20ppm, ±30ppm, or ±50ppm (-20 to +70°C)
- ±30ppm, or ±50ppm (-40 to +85°C)
- ±50ppm, or ±70ppm (-40 to 125°C)

Aging at 25°C, First Year:

- ±3ppm Max

Reflow Temperature:

- 260°C Max, 10 seconds Max

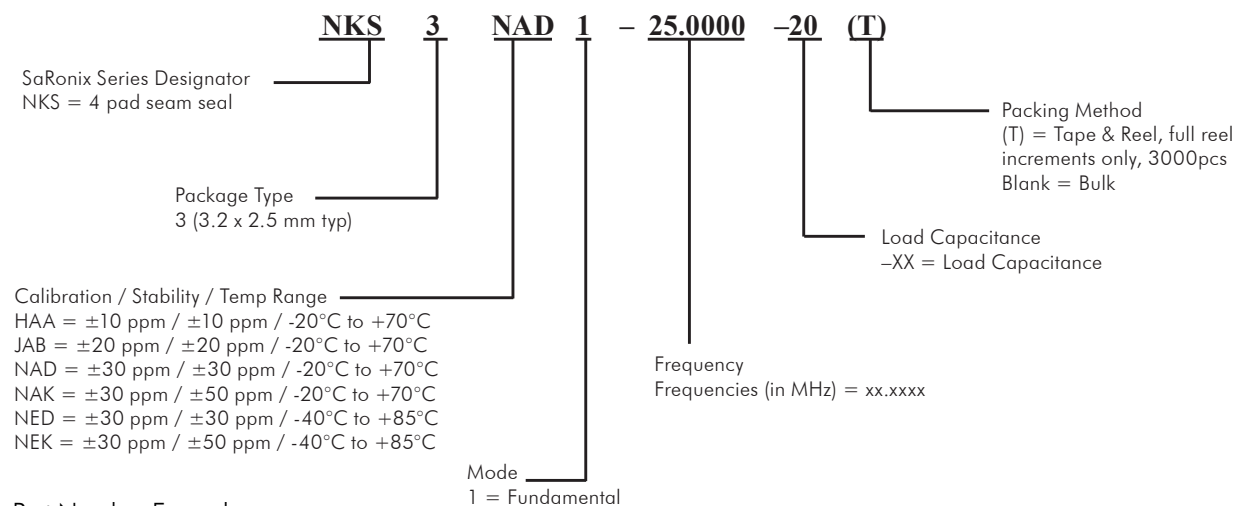
Mechanical

- Shock: JESD22-B104 Condition B
- Solderability: J-STD-002
- Terminal Strength: MIL-STD-883 Method 2004
- Vibration: JESD22-B103
- Solvent Resistance: JESD22-B107
- Resistance to Soldering Heat: J-STD-020C Table 5-2 Pb-free devices (3 cycles max)

Environmental

- Gross Test Leak: JESD22-A109, Condition C
- Fine Test Leak: JESD22-A109, Condition A1
- Moisture Resistance: JESD22-A113
- Insulation Resistance: 500 MΩ min (100 VDC)

Legacy Ordering Information - For Reference Only:



Part Number Example:

Spec: Freq 18.1234MHz, ±30ppm calib, ±30ppm stab, -20 to +70°C, 16pF, T&R = NKS3NAD1-18.1234-16(T)

Mouser Electronics

Authorized Distributor

Click to View Pricing, Inventory, Delivery & Lifecycle Information:

Diodes Incorporated:

[FL2400096](#) [FL2500094](#) [FL5400015](#) [FL2500390](#) [FL1200171](#) [FL2500306](#) [FL2700144](#) [FL1220019](#) [FL3640002](#)
[FL2600021](#) [FL2500292](#) [FL2500042](#) [FL0800021](#) [FL2500445](#) [FL2000171](#) [FL2000182](#) [FL2500495](#) [FL4000296](#)
[FL1200231](#) [FL1200232](#) [FL2450059](#) [FL2500437](#) [FL1000008](#) [FL4800108](#) [FL4800112](#) [FL5000024](#) [FL5000111](#)
[FL5200006](#) [FL5400056](#) [FL3900006](#) [FL4000217](#) [FL4000300](#) [FL3840027](#) [FL4000297](#) [FL4000303](#) [FL4910005](#)
[FL1200217](#) [FL1470030](#) [FL3740007](#) [FL3840030Z](#) [FL4800115](#) [FL2500284](#) [FL2500509](#) [FL2600224](#) [FL0800024](#)
[FL1430041](#) [FL1470006](#) [FL0800033](#) [FL2400199](#) [FL3800007](#) [FL3800008](#) [FL3840035](#) [FL3840036](#) [FL3840037](#)
[FL1300034](#) [FL2400240](#) [FL2450063](#) [FL2600121](#) [FL3300015](#) [FL3740017](#) [FL1200055](#) [FL1470023](#) [FL1600057](#)
[FL1600175](#) [FL1600159](#) [FL1200048](#) [FL1200084](#) [FL1200091](#) [FL1220021](#) [FL1600011](#) [FL1600055](#) [FL1600074](#)
[FL1600083](#) [FL1600086](#) [FL1600092](#) [FL2000044](#) [FL2000065](#) [FL2000095](#) [FL2000099](#) [FL2000105](#) [FL2050002](#)
[FL2400063](#) [FL2400066](#) [FL2400074](#) [FL2400075](#) [FL2400118](#) [FL2500026](#) [FL2500038](#) [FL2500054](#) [FL2500059](#)
[FL2500065](#) [FL2500076](#) [FL2500078](#) [FL2500093](#) [FL2500097](#) [FL2500131](#) [FL2500132](#) [FL2500139](#) [FL2500152](#)
[FL2500167](#)