

# Quartz Crystal Ceramic SMD

**F9** | **FY**



F9

FY

5.0 x 3.2mm Ceramic SMD

## Product Features

- Rugged AT-cut crystal construction
- Miniature 5.0 x 3.2mm ceramic package
- Available on tape & reel; 12mm tape, 1000 units per reel
- FY: Pb-free and RoHS/Green compliant
- F9: RoHS compliant\*  
(\* per #5, Annex of Directive 2002/05/EC)

## Product Description

The 2-pad F9 Series glass seal and the 4-pad FY Series seam seal devices incorporate a sub-miniature AT-cut crystal resonator housed in a standard 5.0 x 3.2mm ceramic package. These compact crystals are ideal for surface mounting in densely populated PCB applications.

## Applications

- PCMCIA Cards
- Portable / hand-held PCs
- Notebook PC
- Wireless LAN
- Portable Multimedia Devices
- GPS
- HDD
- Bluetooth
- USB Dongle

## Frequency Range:

- 8.0000 MHz to 50.0000 MHz (Fundamental)
- 40.000 MHz to 125.0000 MHz (3rd Overtone)

## Characteristics at 25°C ±2°C:

- Frequency Calibration Tolerance: ±10ppm, ±20ppm, or ±30ppm
- Load Capacitance: 8 to 32pF or Series Resonance
- Effective Series Resistance (ESR):  
Fundamental: 40 to 100Ω max depending on frequency  
Overtone: 60 to 80Ω max depending on frequency
- Drive Level: 10μW typ. (100μW max)
- Shunt Capacitance: 5pF Max

## Temperature Range:

- Operating: -20 to +70°C or -40 to +85°C
- Storage: -55 to +125°C

## Temperature Stability:

- ±10ppm, ±20ppm, ±30ppm, or ±50ppm (-20 to +70°C)
- ±30ppm, or ±50ppm (-40 to +85°C)

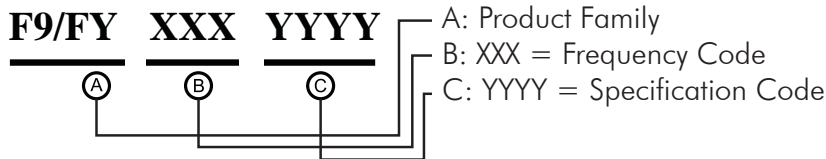
## Aging at 25°C, First Year:

- ±3ppm Max

## Reflow Temperature:

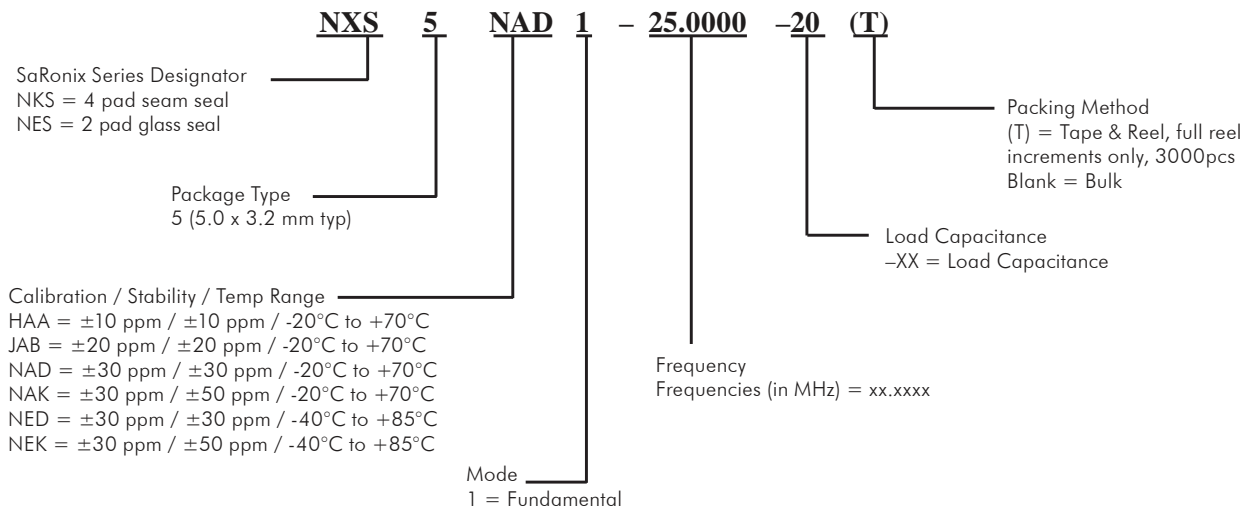
- 260°C Max, 10 seconds Max

### Part Ordering Information:



Following the above format, Saronix-eCera part numbers will be assigned upon confirmation of exact customer requirements.

### Legacy Ordering Information - For Reference Only:



### Part Number Example:

Spec: Freq 18.1234MHz, ±30ppm calib, ±30ppm stab, -20 to +70°C, 16pF, T&R = NKS5NAD1-18.1234-16(T)

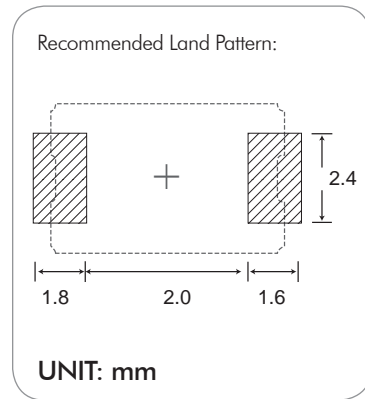
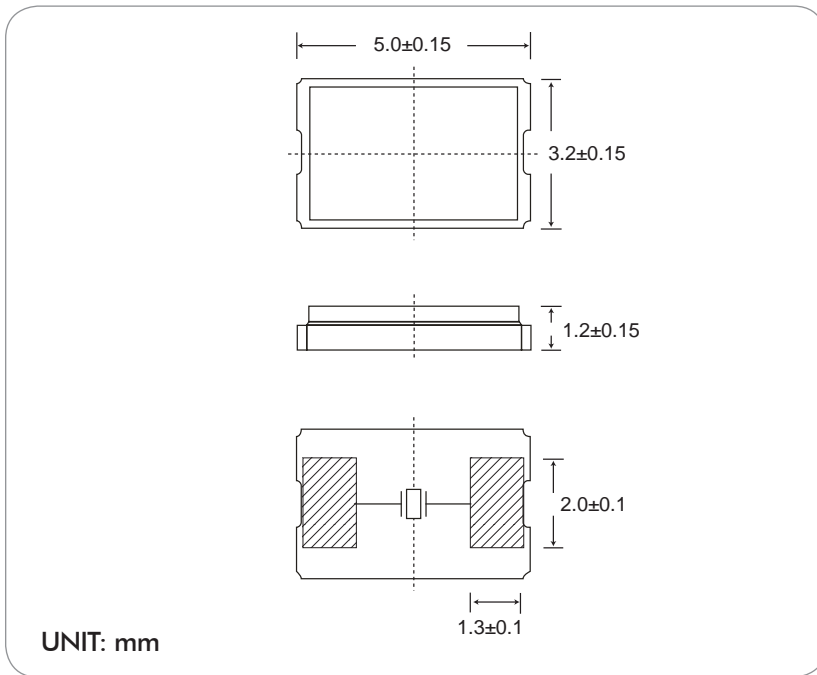
### Mechanical

- Shock: JESD22-B104 Condition B
- Solderability: J-STD-002
- Terminal Strength: MIL-STD-883 Method 2004
- Vibration: JESD22-B103
- Solvent Resistance: JESD22-B107
- Resistance to Soldering Heat: J-STD-020C Table 5-2 Pb-free devices (3 cycles max)

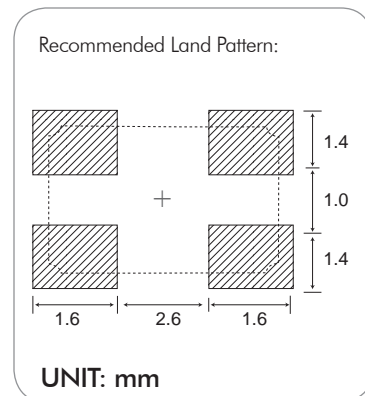
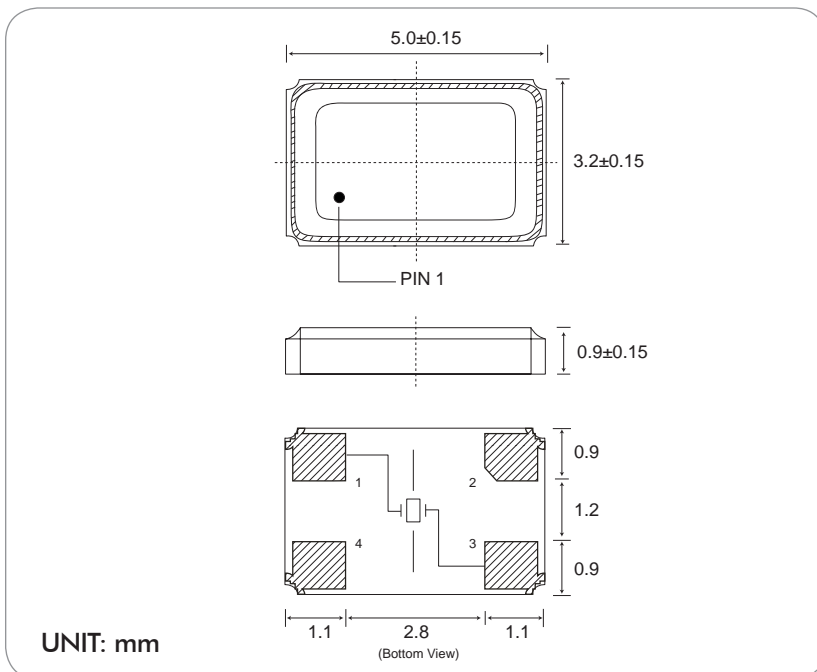
### Environmental

- Gross Test Leak: JESD22-A109, Condition C
- Fine Test Leak: JESD22-A109, Condition A1
- Moisture Resistance: JESD22-A113
- Insulation Resistance: 500 MΩ min (100 VDC)

### Mechanical Drawings: F9 Series



### Mechanical Drawings: FY Series



# Mouser Electronics

Authorized Distributor

Click to View Pricing, Inventory, Delivery & Lifecycle Information:

## Diodes Incorporated:

[F92500002](#) [FY0800044](#) [F92500016N](#) [FY1220016](#) [FY3200040](#) [F95400010](#) [FY1600087M](#) [FY2400052](#) [F92710002](#)  
[F94800019](#) [FY2500024](#) [FY2500003](#) [FY2250003](#) [FY1200046](#) [FY2500015](#) [FY1380001](#) [FY2500094](#) [FY1920016](#)  
[F91200088](#) [F92000002](#) [FY1600055](#) [FY0800037](#) [FY2500046](#) [F94800031](#) [F91200057](#) [F91200051](#) [FY2810001](#)  
[FY1200125](#) [FY1430004](#) [F92400060](#) [F92000021](#) [F91200064](#) [F92600002](#) [FY1430046](#) [F90800024Q](#) [FY2700066](#)  
[F91000013](#) [FY0800041](#) [FY2500019](#) [F92500038](#) [FY1030003](#) [FY1200119](#) [FY1600077](#) [FY2400021](#) [FY3000007](#)  
[FY2700071](#) [FY3000031](#) [FY2500110](#) [FY2400041](#) [FY2400045](#) [F92400049](#) [F91350020](#) [FY2400002](#) [FY2500066](#)  
[F92700044](#) [F91600004](#) [F92500032](#) [F90800014](#) [FY2000056](#) [F92000022](#) [F91200012](#) [FY2400007](#) [FY2500022](#)  
[F95400008](#) [FY1200089](#) [F92500001](#) [FY2500002](#) [FY2500070](#) [FY2600039](#) [FY1200008](#) [F91430012](#) [F91430003](#)  
[FY0800042](#) [FY1200059](#) [FY1630014](#) [FY3000008](#) [FY2500001](#) [FY1600014](#) [FY1200101](#) [F91100009](#) [FY1200126](#)  
[FY2400070](#) [FY1430003](#) [FY2500050](#) [FY1000019](#) [F92700036](#) [FY3530003](#) [FY0930001](#) [FY2450006](#) [FY2700045](#)  
[FY1430025](#) [FY0800008](#) [FY2500055](#) [FY1430037](#) [F91600002](#) [FY3000002](#) [F91200091](#) [FY2500124](#) [FY1120011](#)  
[F91200087](#)