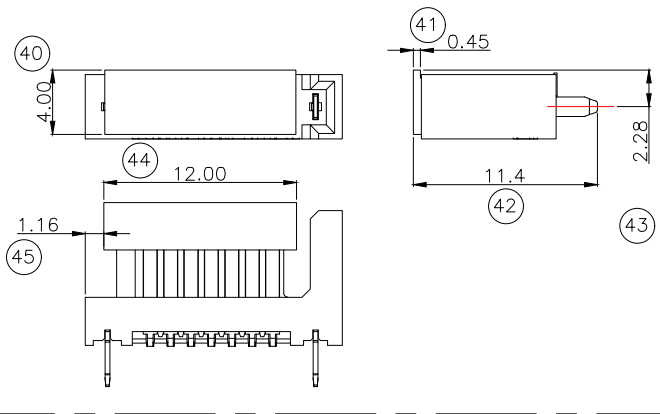
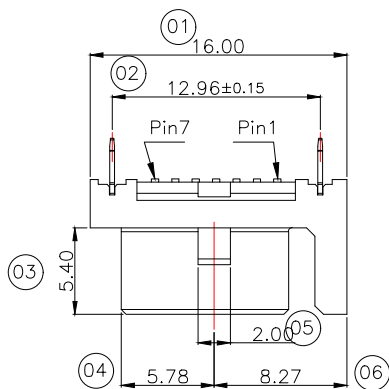
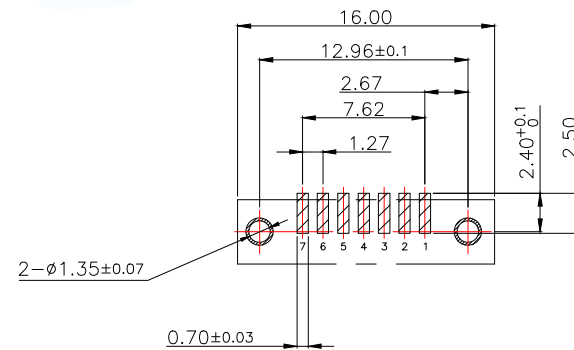
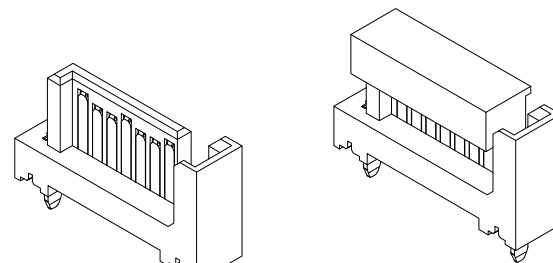
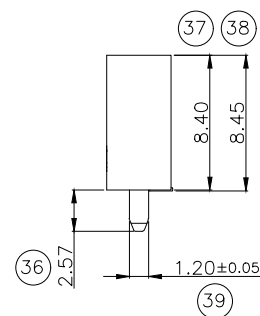
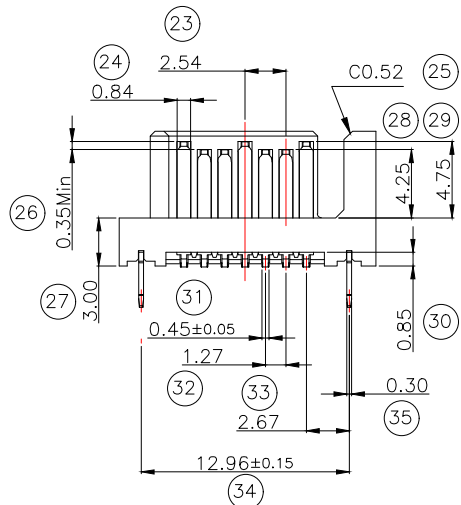
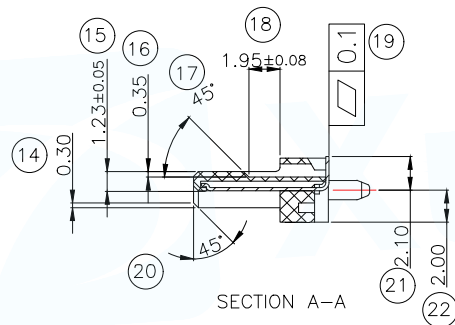
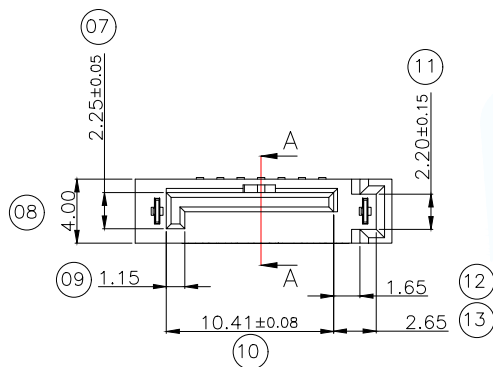


12	13	14	15
MAPX	MODIFICATION	DATE	DRAW

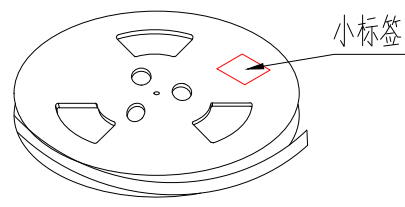
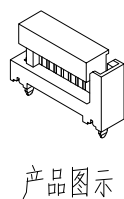


- MATERIAL SPECIFICATION,
  - 1-1.HOUSING: THERMOPLASTIC, HIGH TEMP, UL 94V-0 ; BLACK;
  - 1-2.COVER: THERMOPLASTIC, HIGH TEMP, UL 94V-0 ; BLACK;
  - 1-3.CONTACT: COPPER ALLOY T=0.2;
  - 1-4.HOOK: COPPER ALLOY T=0.3;
- PLATING SPECIFICATION,
  - 2-1.CONTACT: UNDER PLATING: Ni 50u" Min PLATED OVER ALL; CONTACT AREA: SEE TABLE; SOLDER TAIL: MATTE TIN 100u" Min PLATED ;
  - 2-2.HOOK: MATTE TIN 100u" Min PLATED OVER Ni 50u" Min.

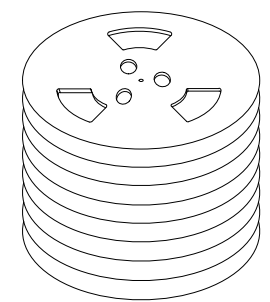


RECOMMENDED P.C.B. LAYOUT(T=1.60)  
PCB TOLERANCE ±0.05mm

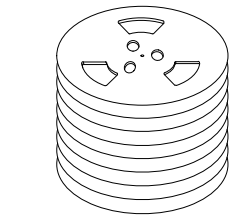
MANUFACTURE DWG		东莞市讯普电子科技有限公司 DongGuan XunPu Electronics Co.,Ltd	
UNLESS OTHERWISE SPECIFIED TOLERANCES			TITLE: SATA 7Pin SMT CONN.
			PAR SATA-701-M07S1BR-A
DECIMALS:	ANGLES:		DWN
X.X±0.20	X.*±5°		CHKD
X.XX±0.15	X.X*±2°	APVD	SCALE N:A
X.XXX±0.05	X.XX*±1°	CUSTOMER COPY	UNIT:MM
		SIZE:A4	REV:A



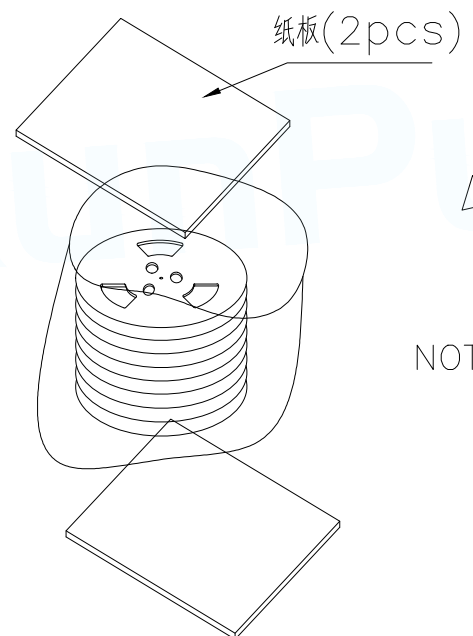
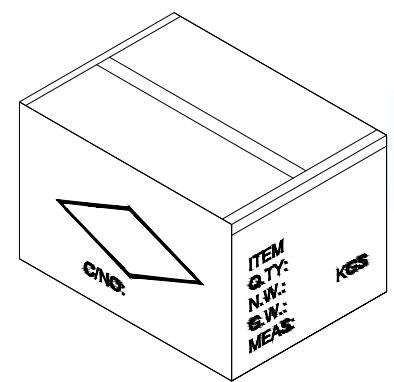
1. 卷盘贴标签



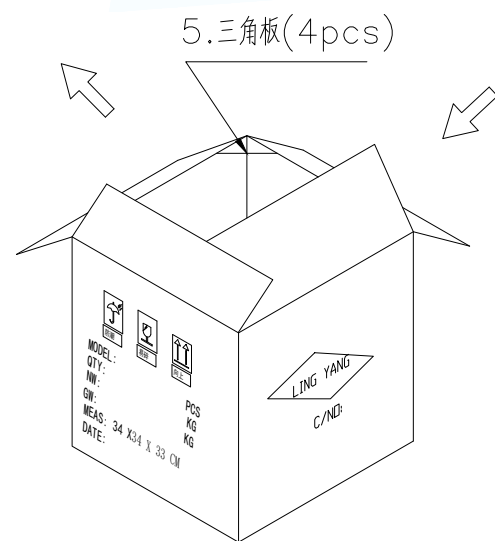
2. 8盘产品叠层



3. 套PE袋



4. 在底部和最上面各放一块纸板



NOTE:

1. QUANTITY/REEL: 350 PCS  
 数量/卷: 350 PCS  
 QUANTITY/INNER CARTON:  
 350 X 8 = 2800 PCS  
 数量/箱: 350 X 8 = 2800 PCS

MANUFACTURE DWG		东莞市讯普电子科技有限公司 DongGuan XunPu Electronics Co., Ltd	
UNLESS OTHERWISE SPECIFIED TOLERANCES			TITLE: SATA 7Pin SMT CONN.
DECIMALS:	ANGLES:		PAR SATA-701-M07S1BR-A
X.X±0.20	X.*±5°		DWN
X.XX±0.15	X.X*±2°		CHKD
X.XXX±0.05	X.XX*±1°	APVD	SCALE N:A
		CUSTOMER COPY	UNIT:MM
			SIZE:A4
			SHEET:1F1
			REV:A