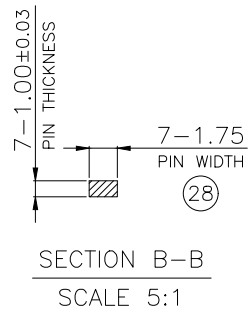


- MATERIAL SPECIFICATION,
  - HOUSING:PA66;
  - CONTACT:BRASS C2680;
  - HOOK:BRASS C2680;
- PLATING SPECIFICATION,
  - CONTACT:  
UNDER PLATING:Ni 50u" Min PLATED OVER ALL;  
CONTACT AREA: SEE TABLE;  
SOLDER TAIL: MATTE TIN 100u" Min PLATED ;
  - HOOK: MATTE TIN 100u" Min PLATED OVER Ni 50u" Min.
- MECHANICAL PERFORMANCE,
  - INSERTION FORCE:45N Max
  - REMOVAL FORCE:10N Min
  - DURABILITY:50 CYCLES
- ELECTRICAL PERFORMANCE,
  - CURRENT RATING:1.5A Max
  - INSULATION RESISTANCE:1000 MEGAOHMS Min.
  - DIELECTRIC WITHSTAND VOLTAGE:500VRMS AT SEA LEVEL
- RoHS OR HF COMPLIANT.

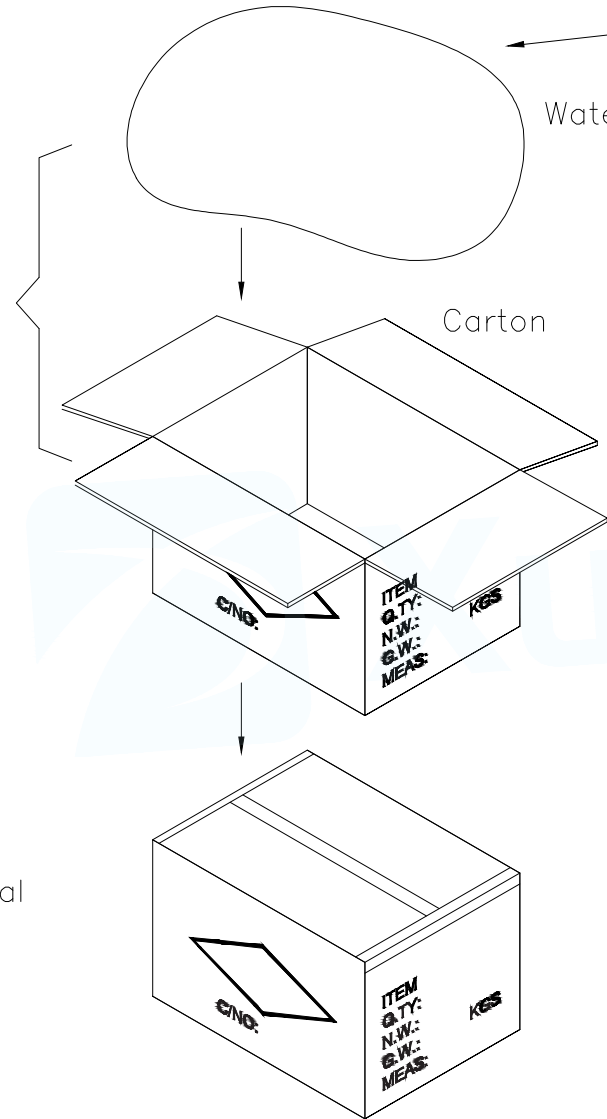


RECOMMENDED P.C.B. LAYOUT(TOP VIEW)  
THICKNESS:1.6mm; TOLERANCE ±0.05mm

MANUFACTURE DWG		东莞市讯普电子科技有限公司 DongGuan XunPu Electronics Co.,Ltd	
UNLESS OTHERWISE SPECIFIED TOLERANCES		TITLE: SATA 7Pin CONN 固定扣脚	
		PAR	SATA-501-M07S1BY-A
DECIMALS:		DWN	
ANGLES:		CHKD	
X.X±0.20	X.*±5°	APVD	
X.XX±0.15	X.X*±2°	SCALE N:A	UNIT:MM
X.XXX±0.05	X.XX*±1°	SIZE:A4	SHEET:1F1
CUSTOMER COPY			REV:A

3.Put the 30 trays of products into a water-repellent film,then put all of them into a carton.

4.Packed the carton,and the seal lppks like "i" shape.



Water-repellent film

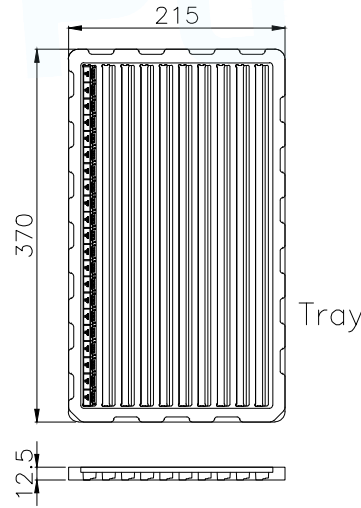
Carton

Product

An empty tray on the top

2.Each 30 trays of products puts together,one tray over another one,like the picture shows,6300pcs products in all.

1.Put the good products which had inspected into the tray,210pcs per tray.



MANUFACTURE DWG		 东莞市讯普电子科技有限公司 DongGuan XunPu Electronics Co.,Ltd		
UNLESS OTHERWISE SPECIFIED TOLERANCES			TITLE: SATA 7Pin CONN	
DECIMALS:	ANGLES:		PAR	SATA-501-M07S1BY-A
X.X±0.20	X.*±5°		DWN	
X.XX±0.15	X.*±2°		CHKD	
X.XXX±0.05	X.XX*±1°	APVD		
CUSTOMER COPY		SCALE N:A	UNIT:MM	
		SIZE:A4	SHEET:1F1	
			REV:A	