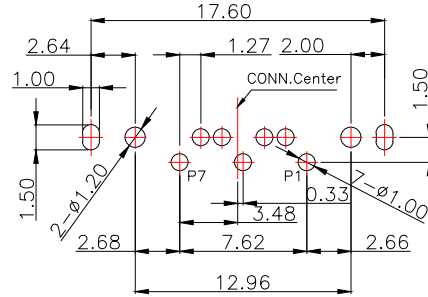
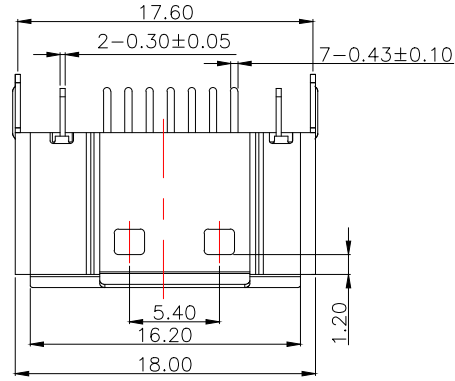
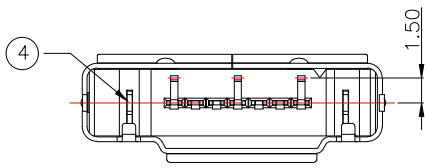
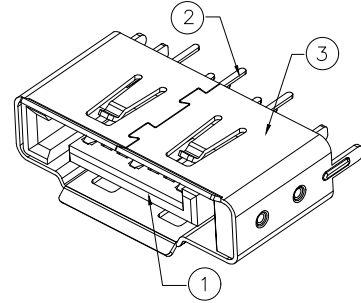
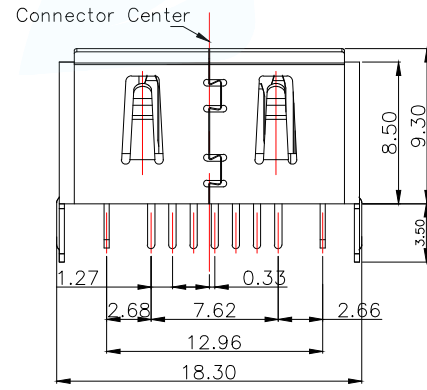
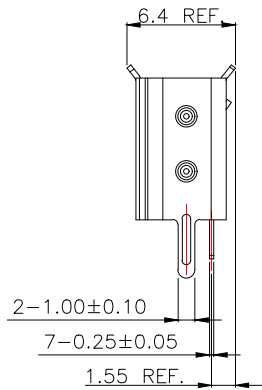
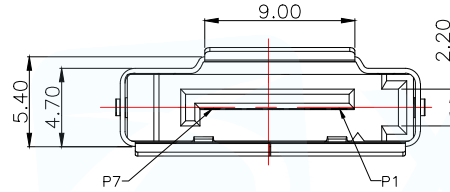


PIN ASSIGNMENT	
PIN NO.	SIGNAL NAME
P1	GND
P2	A+
P3	A-
P4	GND
P5	B-
P6	B+
P7	GND



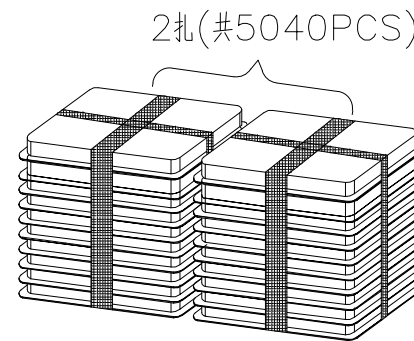
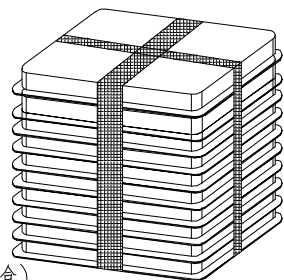
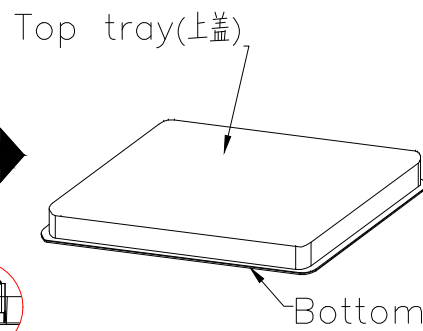
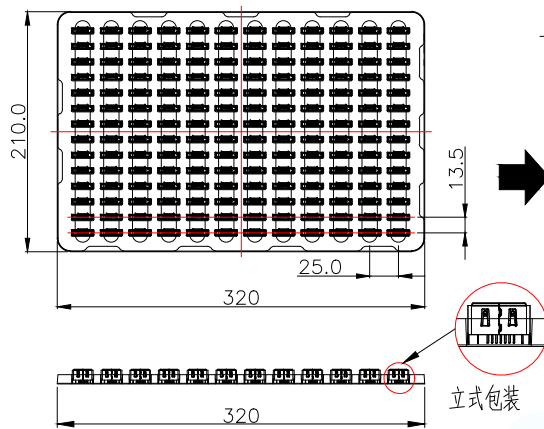
RECOMMEND PCB LAYOUT (TOP View)
T=1.60MM TOLERANCE: ±0.05MM

- NOTES:
- MATERIAL: GLASS FILLED POLYESTER,UL 94 V-0 RATED OR OTHER EQUIVALENT RESINS.
CONTACT: COPPER ALLLOY.
 - FINISH:
CONTACT:GOLD PLATING IN THE CONTACT AREA, SELECTIVE TIN PLATING IN THE SOLDERTAIL AREA,WITH NICKEL UNDERPLATING OVERALL.
SHIELD:NICKEL PLATING OVERALL.
GROUND:TIN PLATING OVERALL.
 - MECHANICAL:
3-1. INSERTION FORCE: 45N Max;
3-2. WITHOUT FORCE: 10N Min;
3-3. DURABILITY: 500 CYCLES;
 - ELECTRICAL:
4-1. CONTACT RESISTANCE: 30mΩ Max;
4-2. INSULATION RESISTANCE: 1000MΩ Min;
4-3. DIELECTRIC WITHSTANDING VOLTAGE: 500V AC;



MANUFACTURE DWG		东莞市讯普电子科技有限公司 DongGuan XunPu Electronics Co.,Ltd	
UNLESS OTHERWISE SPECIFIED TOLERANCES		TITLE: SATA 7PIN DIP间距 1.5	
		PAR	SATA-405-M07S1BA-A
DECIMALS:	ANGLES:	DWN	
X.X±0.20	X.*±5°	CHKD	
X.XX±0.15	X.X*±2°	APVD	
X.XXX±0.05	X.XX*±1°	SCALE N:A	UNIT:MM
CUSTOMER COPY		SIZE:A4	SHEET:1F1
			REV:A

注：
14x12=168PCS/盘



① 将产品置入吸塑盒

② 盖好上盖

③ 包扎PE膜

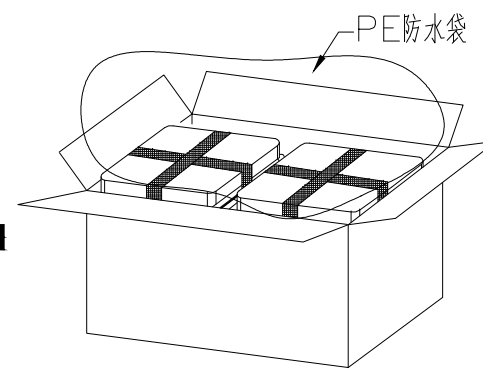
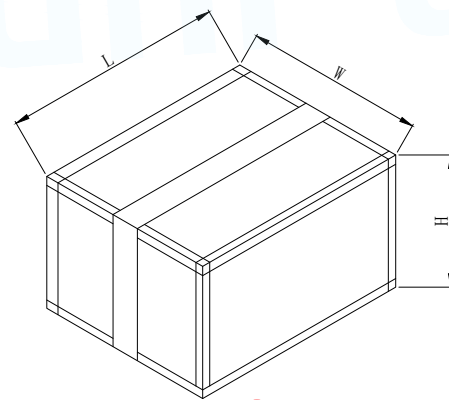
④ 吸塑盒整齐摆放

包装说明：

1. 本包装规范适用于产品如下：

料号	规格
SATA-405-M07S1BB-B	DIP=2.80mm
SATA-405-M07S1BB-A	DIP=3.50mm

- 将检验好之良品放入吸塑盒内，每盒装入168PCS；(如图 ①)
- 将装好产品的下盒加好上盖；(如图 ②)
- 将盖好上盖的吸塑盒堆叠整齐，并每10盒用PE膜呈(+)字形扎好；(如图 ③)
- 将扎好PE膜的2扎产品整齐摆放；(如图 ④)
- 先将PE防水膜放入纸箱内，然后再在底部放入一张卡纸；(如图 ⑤)
- 用透明胶纸将纸箱封好，并在外箱标签位置贴好出货标签；(如图 ⑥)
- 包装时需轻拿轻放，产品不可变形、有脏污物，不可短装少数等不良现象。



MANUFACTURE DWG		东莞市讯普电子科技有限公司 DongGuan XunPu Electronics Co.,Ltd	
UNLESS OTHERWISE SPECIFIED TOLERANCES			TITLE: SATA 7PIN 立式包装
DECIMALS:	ANGLES:		PAR SATA-405-M07S1BA-A
X.X±0.20	X.*±5°		DWN
X.XX±0.15	X.X°±2°		CHKD
X.XXX±0.05	X.XX°±1°	APVD	SCALE N:A
CUSTOMER COPY		SIZE:A4	UNIT:MM
		SHEET:1F1	REV:A