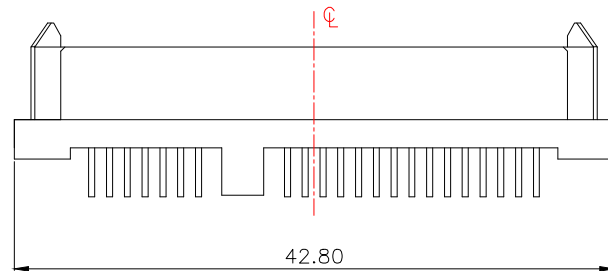


RECOMMEND PCB LAYOUT (T=1.0/1.2)
PCB TOLERANCE:±0.05



NOTE:

- MATERIAL:
HOUSING: LCP WITH 30% GF, UL 94V-0, BLACK COLOR.
CONTACTS: PHOSPHOR BRONZE.
- FINISH:
CONTACTS: GOLD FALSH PLATED ON CONTACT AREA, [100m"] MIN..
BRIGHT-TIN ON SOLDER TAIL, WITH ENTIRE CONTACT UNDERPLATED [50m"] MIN.. NICKEL.
- SPECIFICATION:
 - RATING:1.5A;
 - CONTACT RESISTANCE:≤30mΩ;
 - INSULATION RESISTANCE:≥1000MΩ;
 - WITHSTAND VOLTAGE:AC500V FOR ONE MINUTE, CURRENT LEAKAGE:0.5MA MAX;
 - INSERTION AND EXTRACTION FORCE:0.4~4KGF;
 - LIFE TEST:500 CYCLES.

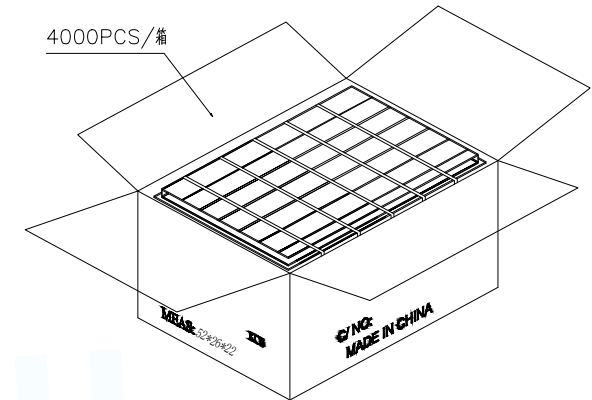
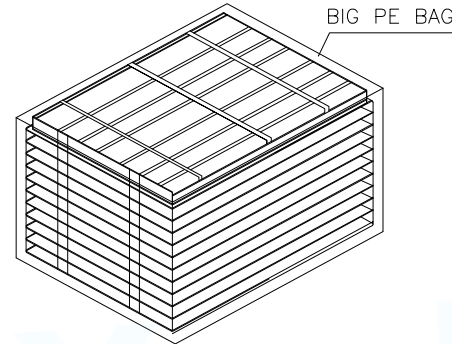
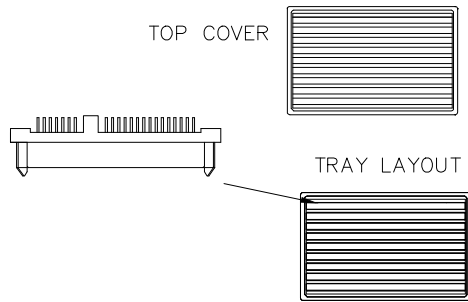
MANUFACTURE DWG		 东莞市讯普电子科技有限公司 DongGuan XunPu Electronics Co.,Ltd	
UNLESS OTHERWISE SPECIFIED TOLERANCES		TITLE: SATA 7+15P H8.0 规格1.0mm	
		PAR	SATA-054-F22SS1BY
DECIMALS:	ANGLES:	DWN	
X.X±0.20	X.*±5°	CHKD	
X.XX±0.15	X.*±2°	APVD	
X.XXX±0.05	X.XX'±1°	SCALE N:A	UNIT:MM
		SIZE:A4	SHEET:1F1
		CUSTOMER COPY	REV:A

1-1 将SATA产品整齐的装入其空盒底盒内。
 1-2 将其空盒盖盖在装有成品的底盒上, 以免产品漏失。

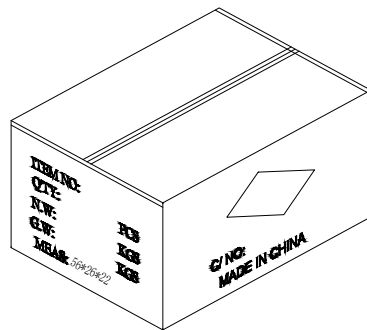
备注:
 每盘装成品50PCS

2-1 每箱分2扎装, 每扎顶层放盖子1PCS:每扎共20盘, 用PE
 膜扎成一扎; 每箱的数量小计:
 $(50*40) + (50*40) = 4000CS$

3-1 将2扎成品依次放入纸箱内, 备注:
 纸箱规格: 长52*宽26*高22CM



4-1 纸箱开口处以透明胶带贴合。
 4-2 若有未装满的零数箱, 必须以缓冲材塞满。



MANUFACTURE DWG		 东莞市讯普电子科技有限公司 DongGuan XunPu Electronics Co., Ltd	
UNLESS OTHERWISE SPECIFIED TOLERANCES			TITLE: SATA 7+15P H8.0 规格1.0mm
DECIMALS:	ANGLES:		PAR SATA-054-F22SS1BY
X.X±0.20	X.*±5°		DWN
X.XX±0.15	X.X°±2°		CHKD
X.XXX±0.05	X.XX°±1°	APVD	SCALE N:A UNIT:MM
CUSTOMER COPY		SIZE:A4	SHEET:1F1
			REV:A