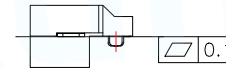
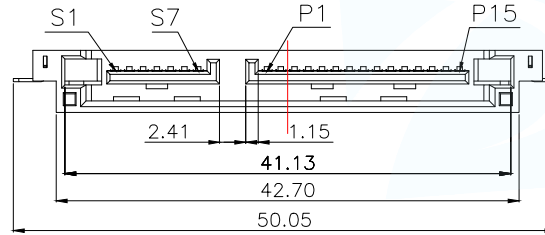


PCB LAYOUT TOLERANCES: $\pm 0.05\text{mm}$



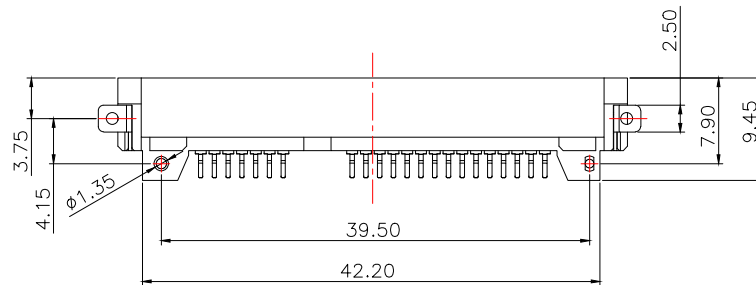
NOTES:

1.MATERIAL:

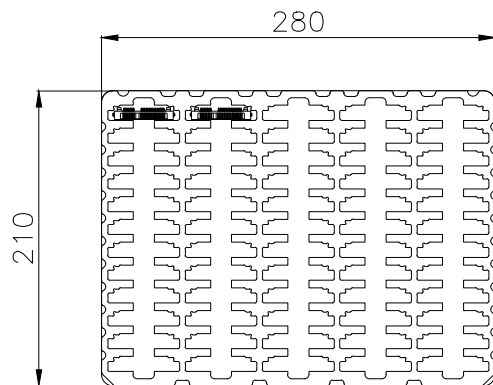
- 1.1 HOUSING:HIGH TEMPERATURE THERAL PLASTIC, COLOR:SEE TABLE .
- 1.2 CONTACT & LATCH: COPPER ALLOY .

2.FINISH:

- 2.1 CONTACT: (SEE TABLE) GOLD PLATED ON CONTACT AREA, 100m" MIN. TIN OVER, WITH ENTIRE CONTACT UNDERPLATED 50m" MIN. NICKEL.
- 2.2 LATCH:100m" MIN. TIN OVER 50m"MIN. NICKEL PLATED.



| | | | |
|---------------------------------------|----------------|---|---------------------------|
| MANUFACTURE DWG | | 东莞市讯普电子科技有限公司 DongGuan XunPu Electronics Co.,Ltd | |
| UNLESS OTHERWISE SPECIFIED TOLERANCES | | | TITLE: SATA 7+15P 沉板公座 |
| | | | PAR SATA-021-M22S1BY |
| DECIMALS: | ANGLES: | | DWN |
| X.X \pm 0.30 | X.* \pm 5' | | CHKD |
| X.XX \pm 0.25 | X.X* \pm 2' | APVD | SCALE N:A |
| X.XXX \pm 0.15 | X.XX* \pm 1' | CUSTOMER COPY | UNIT:MM |
| | | SIZE:A4 | UNIT:MM |
| | | SHEET:1F1 | REV:A |

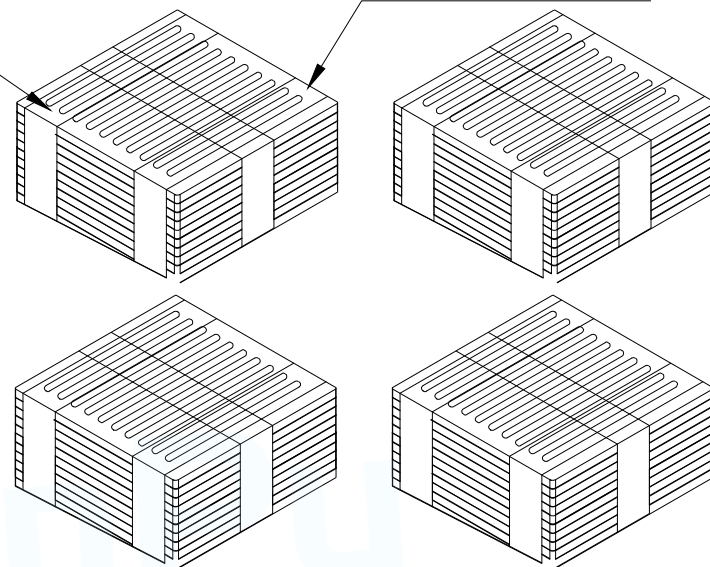


一吸塑盒 = 60PCS

最上层放一个空吸塑盒

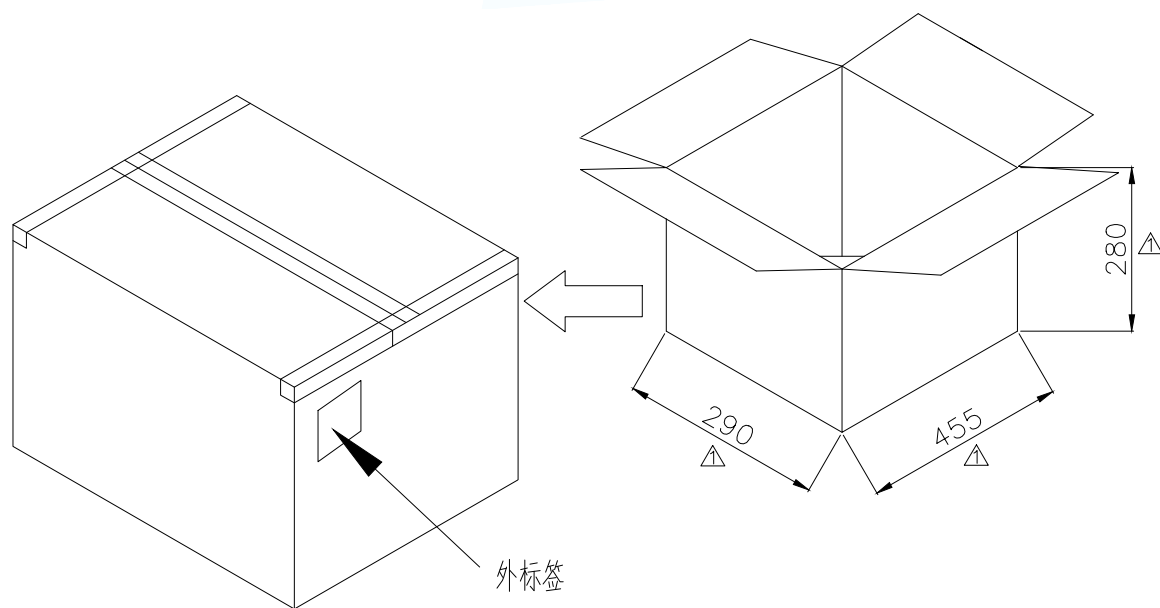
每叠 = 20盘

PE膜(工)字型缠绕



△ 说明:

1. 一盘吸塑盒 = 60 PCS
2. 每叠20盘 = 60 PCS / 盘 * 20 = 1200 PCS
3. 一箱 = 4叠 = 每叠1200 PCS * 4 = 4800 PCS / 箱



| | | | |
|---------------------------------------|----------|---|------------------|
| MANUFACTURE DWG | |  东莞市讯普电子科技有限公司 DongGuan XunPu Electronics Co.,Ltd | |
| UNLESS OTHERWISE SPECIFIED TOLERANCES | | TITLE: SATA 7+15P 沉板公座 | |
| | | PAR | SATA-021-M22S1BY |
| DECIMALS: | ANGLES: | DWN | |
| X.X±0.30 | X.*±5° | CHKD | |
| X.XX±0.25 | X.X*±2° | APVD | |
| X.XXX±0.15 | X.XX*±1° | SCALE N:A | UNIT:MM |
| | | SIZE:A4 | SHEET:1F1 |
| | | CUSTOMER COPY | REV:A |