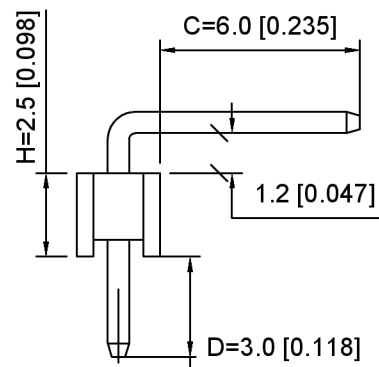
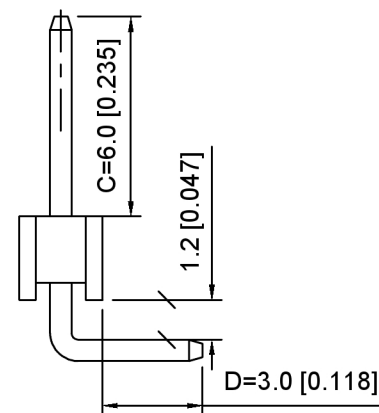


PCB LAYOUT



R1 TYPE



R2 TYPE

Specifications:
 规格:
 Voltage rating: 250V AC/DC
 额定电压: 250V AC/DC
 Current rating: 3A AC/DC
 额定电流: 3A AC/DC
 Withstanding voltage: 1000V AC/minute
 耐受电压: 1000V AC/分钟
 Temperature range: -40°C +105°C
 温度范围: -40°C +105°C
 Insulation resistance: ≥1000MΩ
 绝缘电阻: ≥1000MΩ
 Contact resistance: ≤20mΩ
 接触电阻: ≤20mΩ
 Material: PA6T UL94V-0
 材质: PA6T UL94V-0
 Plating Category: 1U"Gold
 镀层: 1U"Gold
 Wave soldering temperature: 255±5°C, 10S
 波峰焊温度: 255±5°C, 10S

X6511 W R -XX H - C60 D30 X
 ① ② ③ ④ ⑤ ⑥ ⑦ ⑧

- Series No
- Category: W-Wafer
- Welding Board Angle: R-Straight 90°
- Row No. Pin No: XX-02~40P
- Plastic Height: H=2.5mm
- Pin Length: C=6.0mm
- Pin Length: D=3.0mm
- Type: X-R1 ; R2

X6511WR-XXH-C60D30X	PA6T	Brass	X6511F
PART NO	Material	Material(Pin)	Suitable XKB Female

DSND	SCALE: N/A	MODEL TYPE: 2.54mm BTB Connector
DWN	VIEW:	PART NO.: X6511WR-XXH-C60D30X
CHKD	UNIT: mm/in	DWG NO.: X-X6511WR-XXH-C60D30X
APPD	SIZE: A4	WEIGHT SHEET REVISION 1/1 A0



XKB INDUSTRIAL PRECISION CO., LIMITED

ANGLAR	±5°
L ≤ 4	±0.2
4 < L ≤ 16	±0.3
16 < L ≤ 63	±0.4
L > 63	±0.5
UNSPECIFIED TOLERANCES	

广东星坤科技股份有限公司

DATE	日期
MARK	DESCRIPTION
文件	工程章

www.helloxkb.com www.helloxkb.cn www.xk-dg.cn