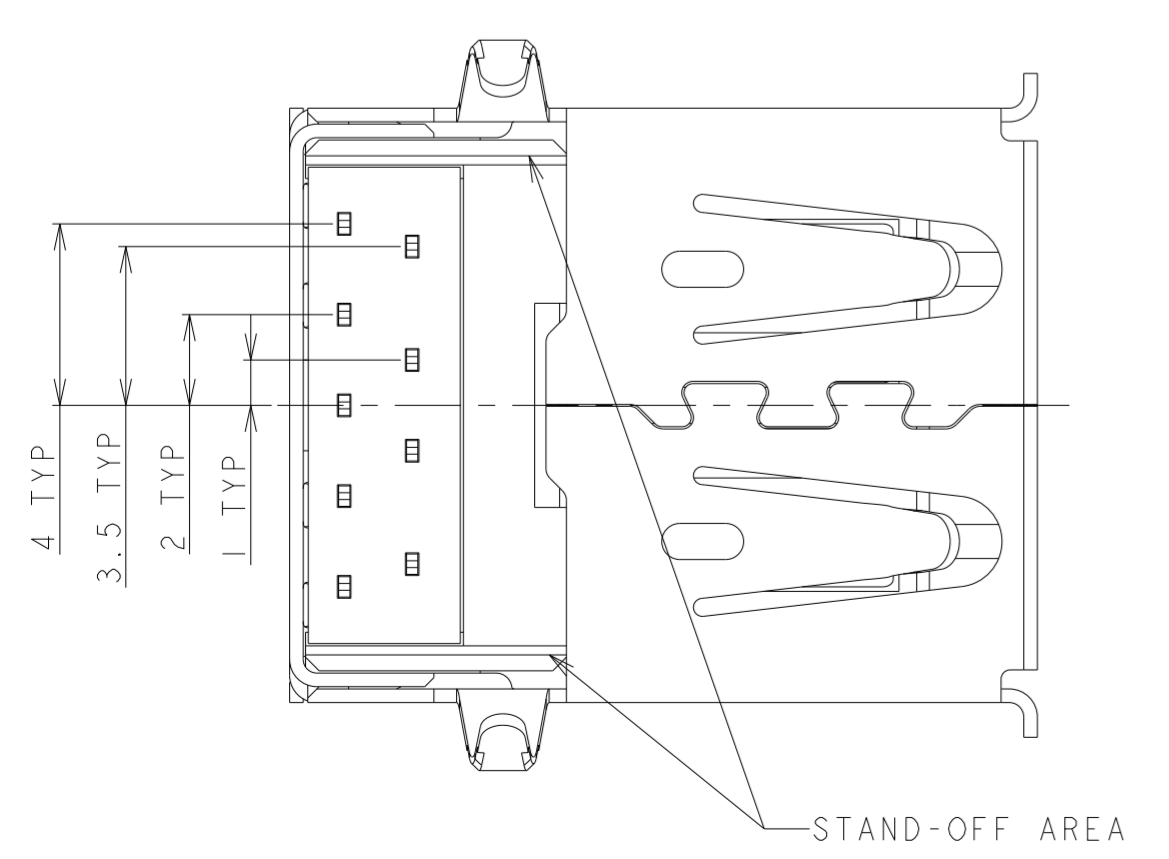
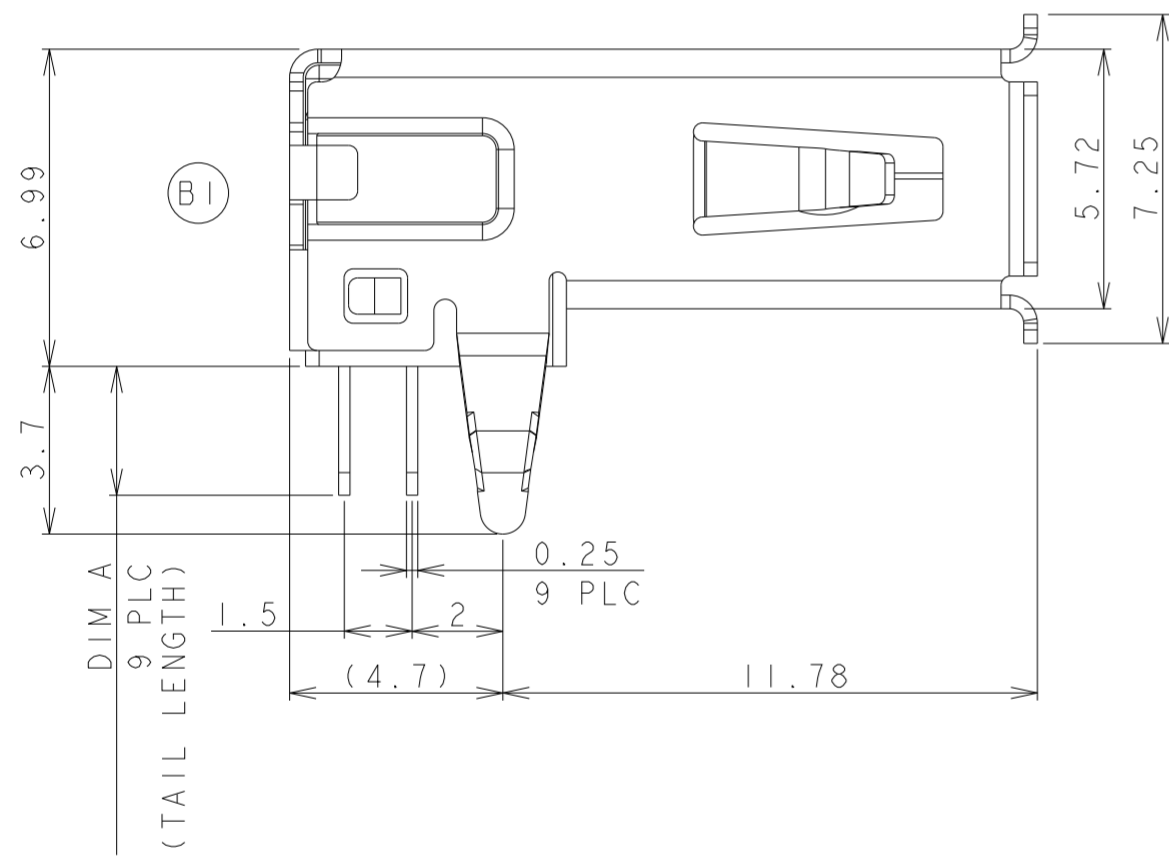
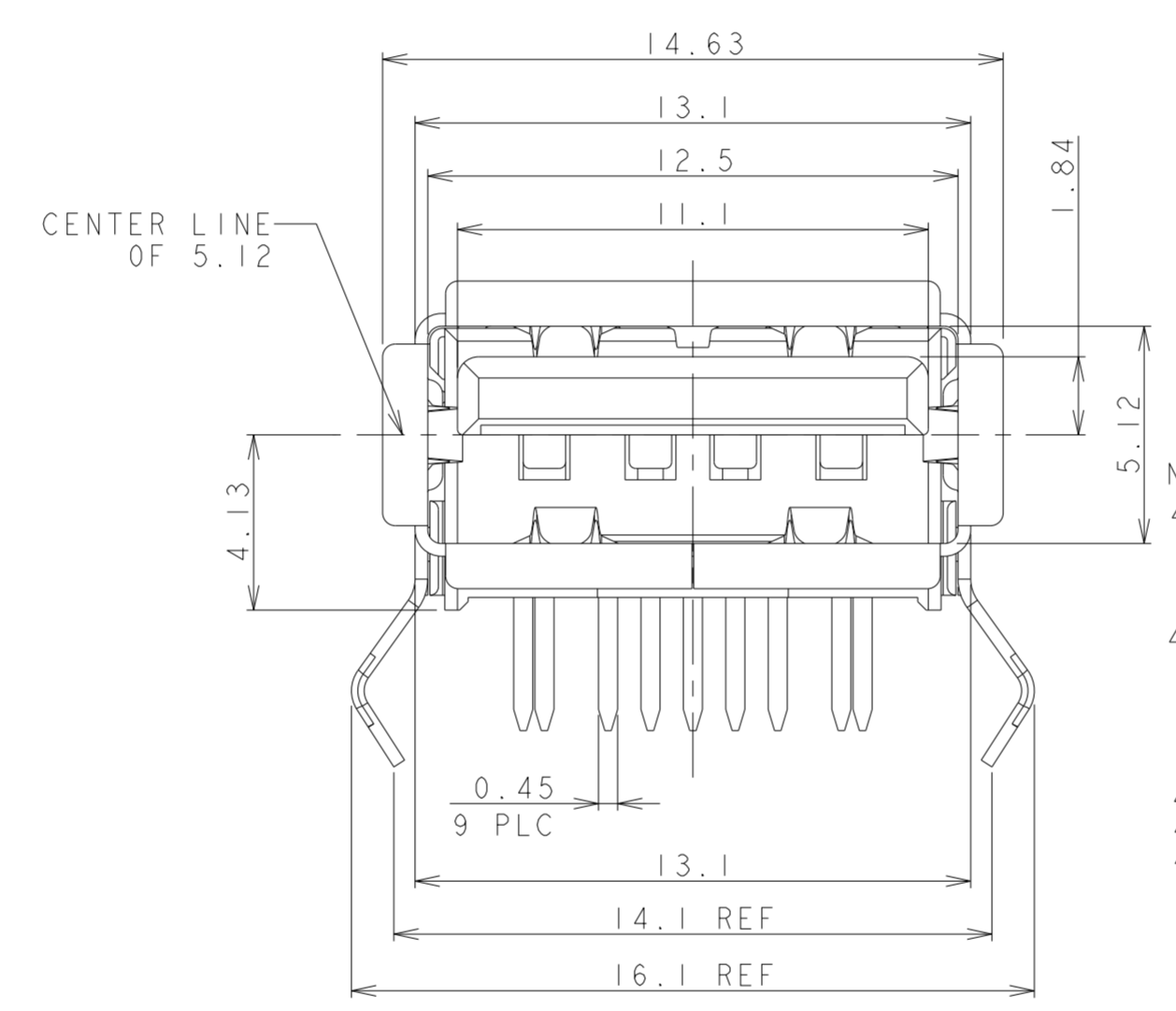
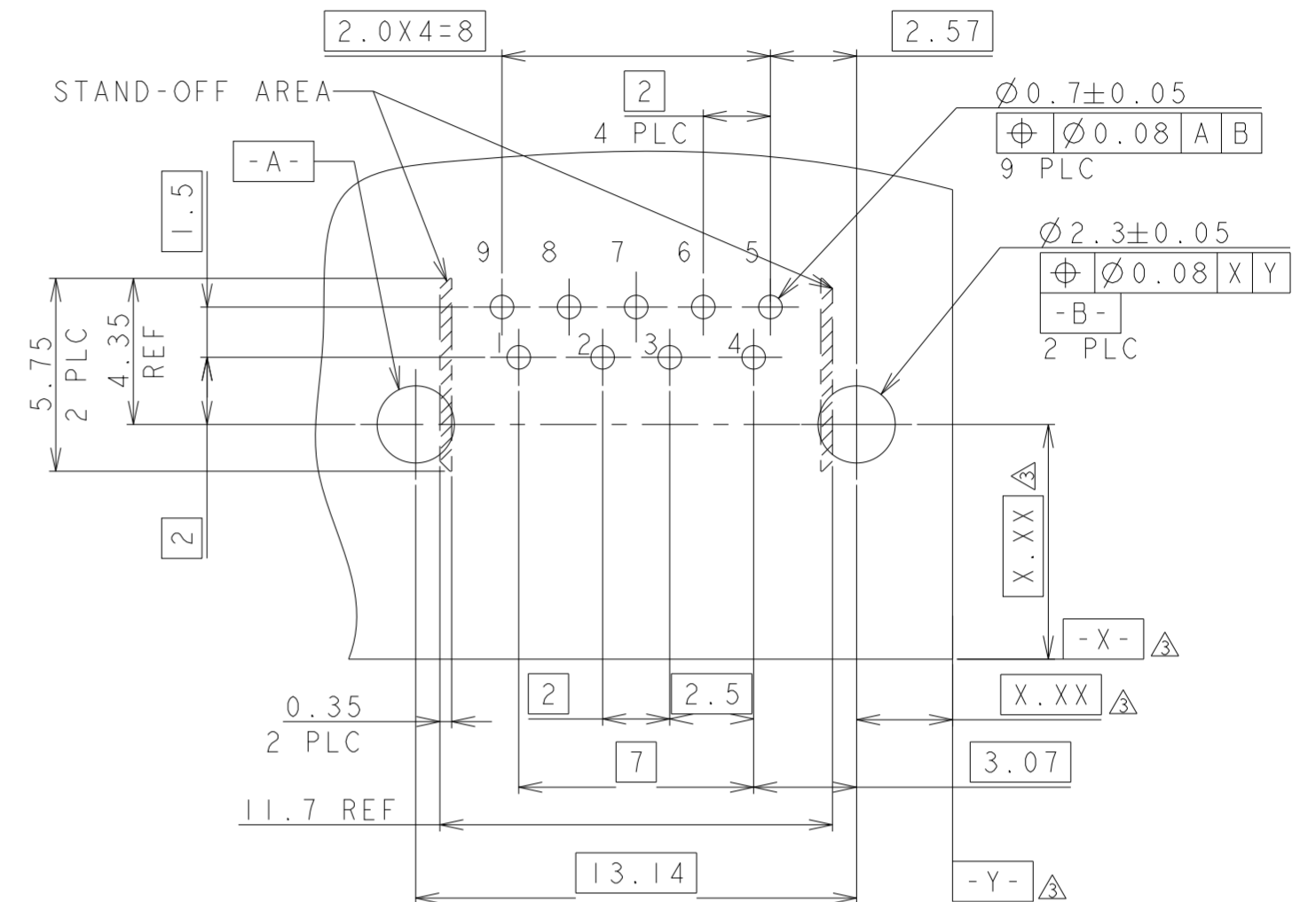
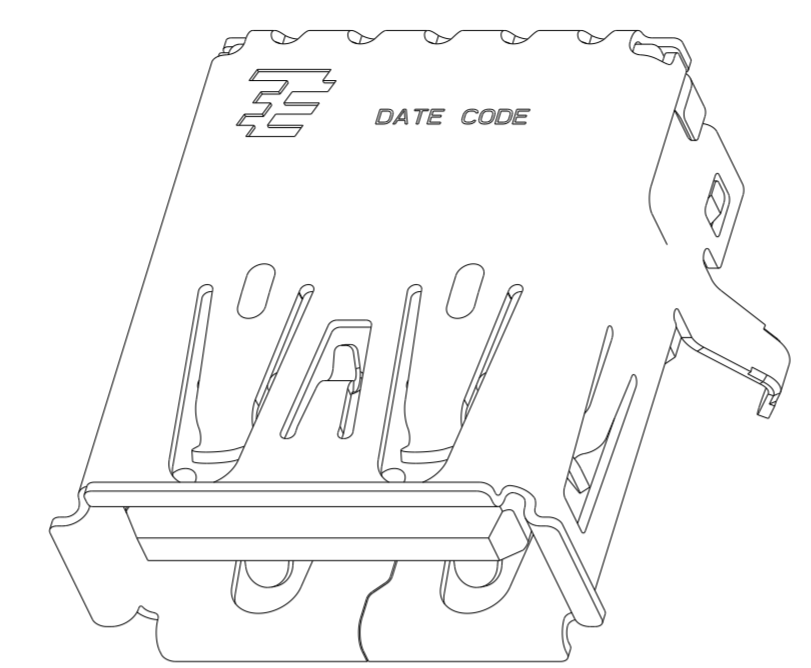
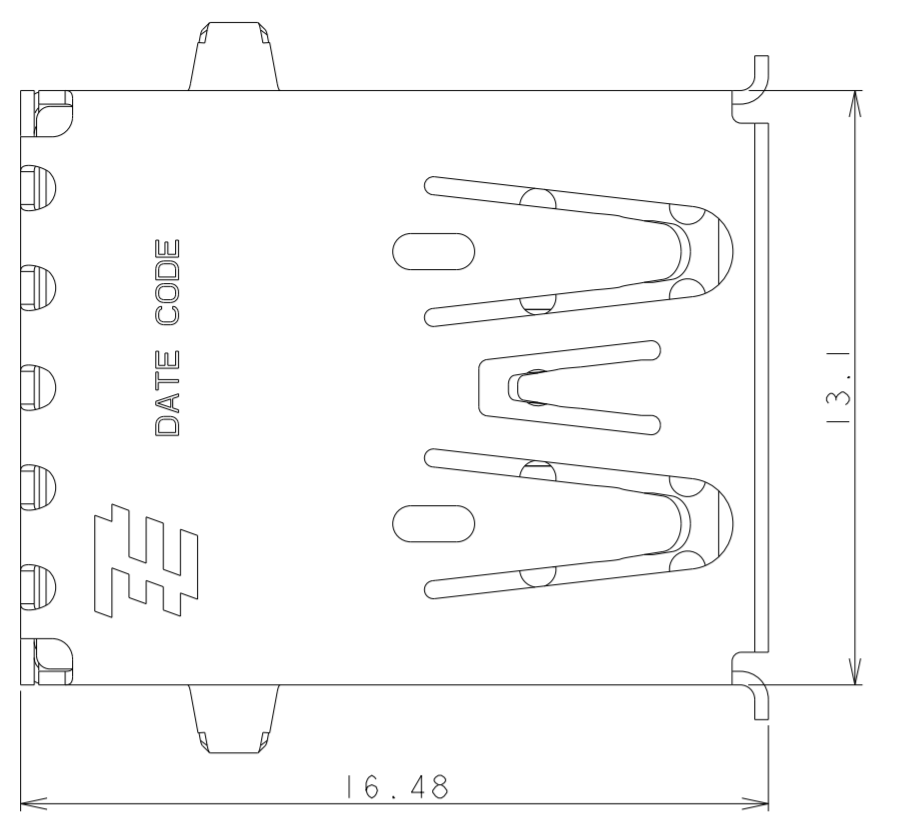


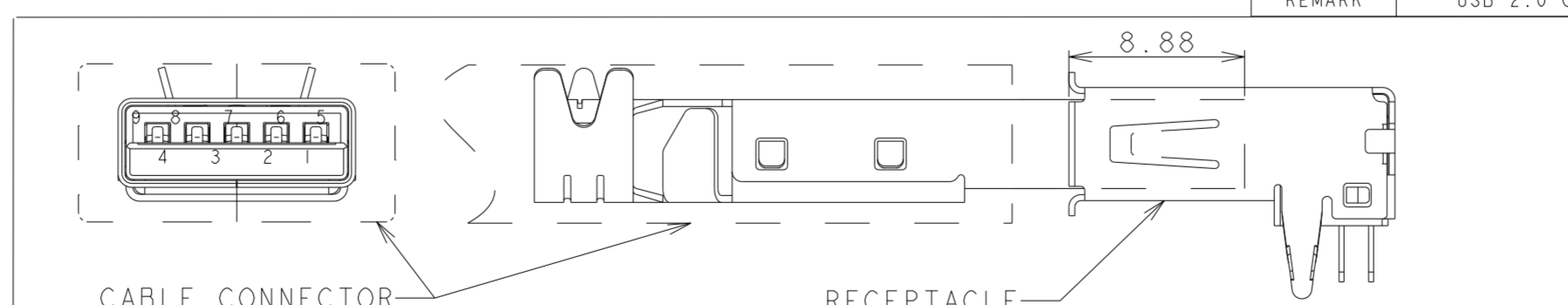
THIS DRAWING IS UNPUBLISHED. RELEASED FOR PUBLICATION 20  
 © COPYRIGHT 20 ALL RIGHTS RESERVED.

LOC		DIST		REVISIONS			
P	LTR	DESCRIPTION	DATE	DWN	APVD		
ES	00						
	B	REVISED PER ECR-14-012319	18SEP2014	F.L	J.L		
	B1	REVISED PER ECR-15-014919	14OCT2015	T.Z	H.W		
	B3	REVISED PER ECR-17-010413	20JUL2017	T.Z	H.W		
	C	REVISED PER ECN-21-112090	06AUG2021	AK	SZ		



NOTE:  
 △ MATERIAL:  
 (B2) SHELL: STAINLESS STEEL  
 CONTACT: COPPER ALLOY.  
 HOUSING: THERMOPLASTIC, BLUE, UL94-HB.  
 △ PLATING:  
 CONTACT: GOLD FLASHED OVER 0.76um MIN Pd-Ni PLATING ON MATING AREA, 2.54um MIN MATTE TIN ON SOLDER TAILS, 1.27um MIN NICKEL UNDER PLATING.  
 SHELL: TIN OVER NICKEL PLATING  
 △ DATUM AND BASIC DIMENSIONS ESTABLISHED BY CUSTOMER  
 △ RECOMMENDED PC BOARD THICKNESS OF 1.60.  
 △ PLATING:  
 CONTACT: 0.76um MIN GOLD PLATING ON MATING AREA, 2.54um MIN. MATTE TIN ON SOLDER TAILS, 1.27um MIN NICKEL UNDER PLATING.  
 SHELL: TIN OVER NICKEL PLATING  
 △ THIS PART IS PRELIMINARY.  
 △ MATERIAL:  
 (B2) SHELL: STAINLESS STEEL.  
 CONTACT: COPPER ALLOY.  
 HOUSING: THERMOPLASTIC, BLUE, UL94V-0.  
 8. PIN ASSIGNMENT:

PIN NO.	1	2	3	4	5	6	7	8	9
SIGNAL NAME	VBUS	D-	D+	GND	STDA_SSRX-	STDA_SSRX+	GND_DRAIN	STDA_SSTX-	STDA_SSTX+
REMARK	USB 2.0 CONTACT PIN				USB 3.0 CONTACT PIN				



2.22	△ OR △	△	1932258-5
2.84	△	△	1-1932258-2
2.84	△	△	1932258-2
2.84	△	△	1-1932258-1
2.84	△ OR △	△	1932258-1
DIM A	FINISH	MATERIAL	PART NUMBER

THIS DRAWING IS A CONTROLLED DOCUMENT.

DIMENSIONS: mm	TOLERANCES UNLESS OTHERWISE SPECIFIED: 0 PLC ±0.25 1 PLC ±0.25 2 PLC ±0.25 3 PLC ± 4 PLC ± ANGLES ±3° FINISH	DWN: FRANCS.LEE 19SEP2010 CHK: MARTIN.LI 19SEP2010 APVD: STEVEN.YAO 19SEP2010 PRODUCT SPEC: 108-115001 APPLICATION SPEC: 501-115002 WEIGHT: -	NAME: STEVEN.YAO SIZE: A2 CAGE CODE: 0779 DRAWING NO: C-1932258 RESTRICTED TO: -
----------------	---	--	--

Customer Drawing SCALE 2:1 SHEET 1 OF 1 REV C

STE TE Connectivity  
 USB 3.0 TYPE A RECEPTACLE STANDARD TYPE

# Mouser Electronics

Authorized Distributor

Click to View Pricing, Inventory, Delivery & Lifecycle Information:

[TE Connectivity:](#)

[1-1932258-2](#)