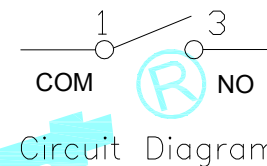
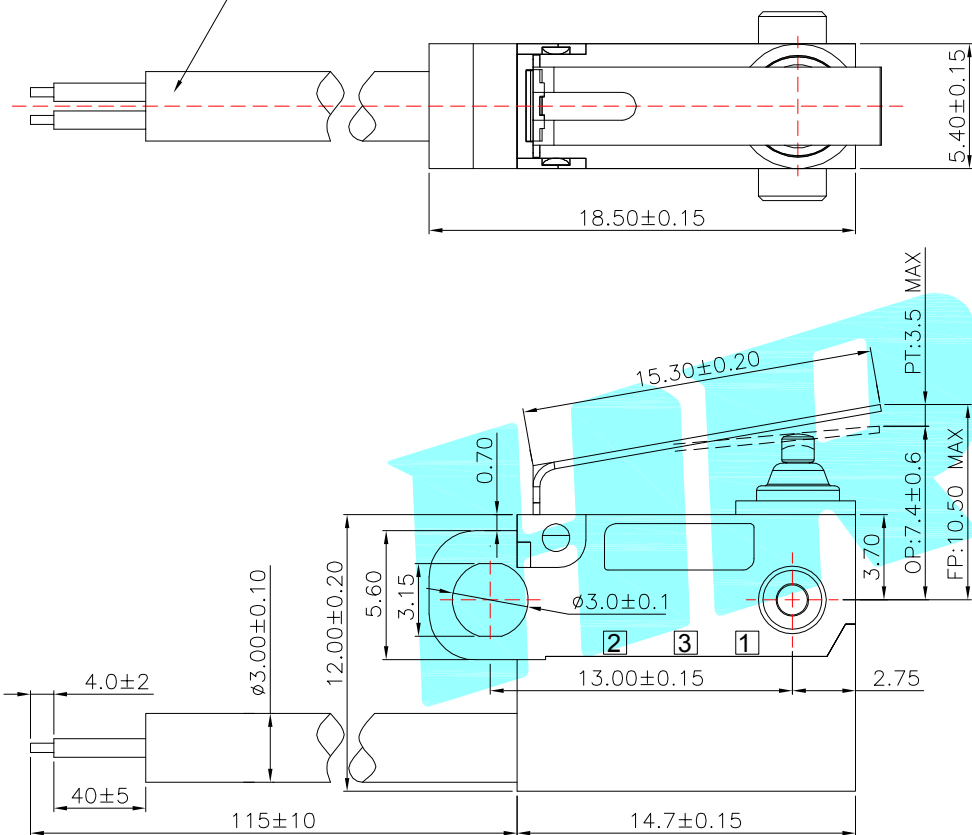
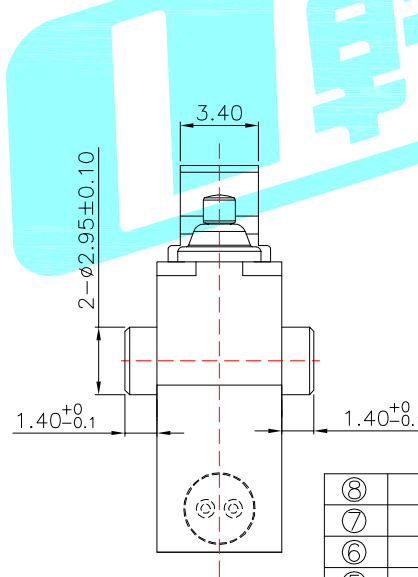


UL2464 2C 28AWG 外被黑色 线芯黑/红



NOTE:

1. Rating1:DC12V 3A
Rating2:48V DC/125V AC/250V AC 0.1A
2. Operating force: 200gf MAX
3. Electric Life:100,000
4. Mechanical Life:500,000
5. Ingress protection:IP67



⑧	Handle	—	1	SUS	—	—
⑦	Shrapnel	—	1	Brass	Plating silver	—
⑥	Contact	—	1	Ag	—	—
⑤	Sealed Circle	—	1	Silicone Rubber	—	—
④	Terminal	—	3	Brass(0.50t)	Plating silver	—
③	Plunger	—	1	POM	Black	—
②	Case	—	1	PA	Black	—
①	Cover	—	1	PA	Black	—
ITEM	PART NAME	TER'NO.	QTY.	MATERIAL	FINISHING	REMARK

APPROVALS		DATE		 ELECTRONICS CO.,LTD				
DRAWN	LIUCAN	2023.8.2						
CHECKED				TITLE: 客户定制线材				
APPROVALS				PART NO. K9-2821D-7XBB-9A				
TOLERANCES ARE			30~以上	±0.30	ANGLE	UNIT: mm	SCALE: 1:1	PROJ:
			10~30	±0.20				
			5~10	±0.15	±2'	DRAWING NO.		SHEET 1 OF 1
			~ 5	±0.10				

_____	A	_____	NEW	_____	_____	_____
ECN NO.	REV.	DATE.	DESCRIPTION.	CHANGE.	CHECK.	APPRO.