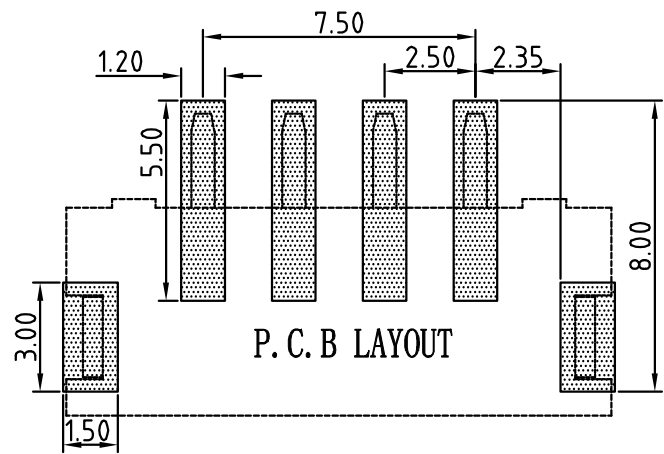
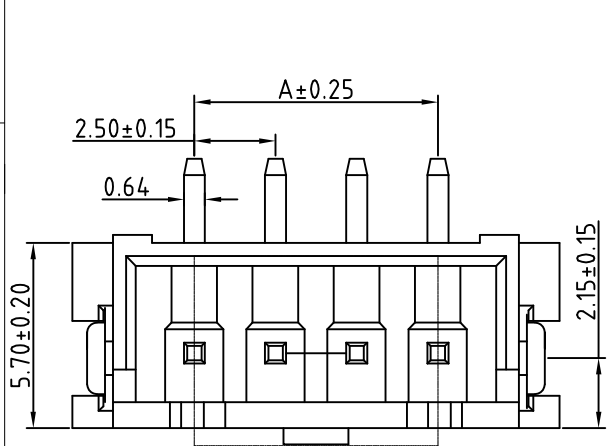
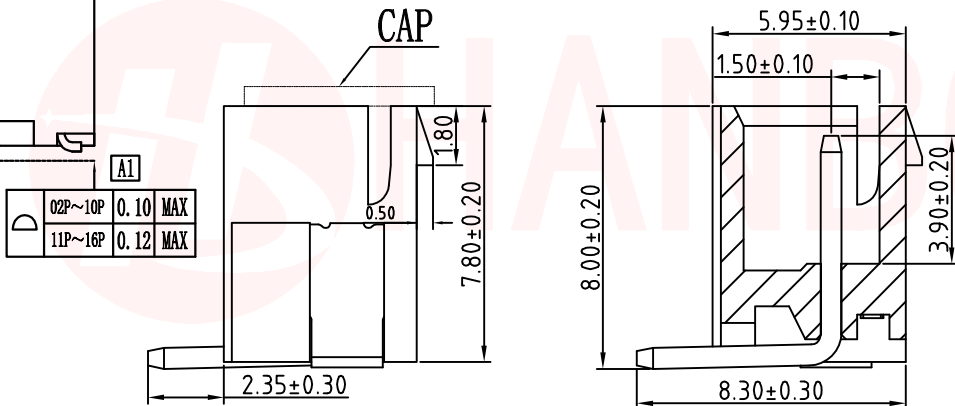
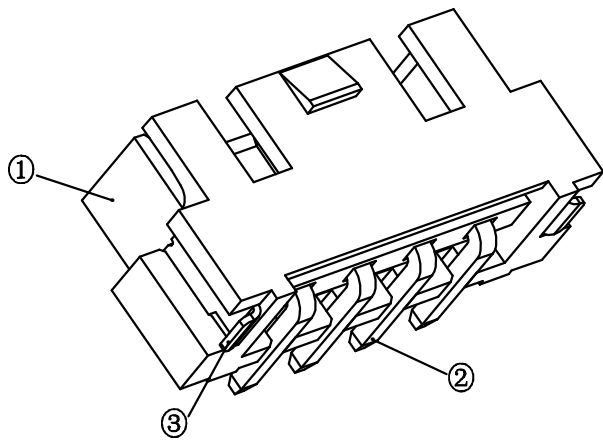
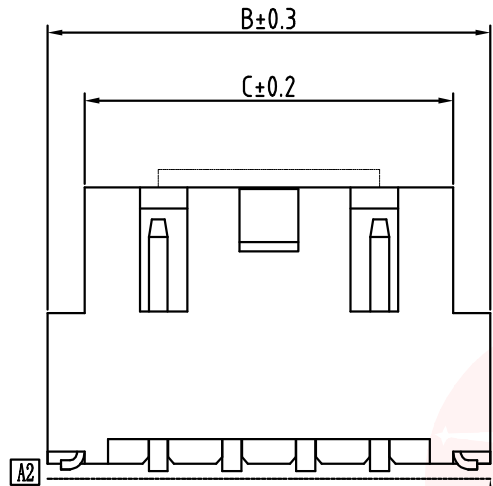




REV.	ECN NO OR DESCRIPTION	REVISED	DATE



SPECIFICATIONS

- 1、Current Rating: 3A AC, DC
- 2、Voltage Rating: 250V AC, DC
- 3、Temperatuer Range: -25°C ~ +85°C
- 4、Contact Resistance: 20mΩ Max
- 5、Insulation Resistance: 1000MΩ Min
- 6、Withstanding Voltang: 1000V AC/minute
- 7、Material: Wafer LCP、PA6T, UL94V-0
PIN Brass Tin-plated
Solder tad Phosphoric bronze Tin-plated

TABLE:

CSG PART NO.	Dimension mm		
	A	B	C
WAFER-HA254LT-2A	2.50	10.00	7.50
WAFER-HA254LT-3A	5.00	12.50	10.00
WAFER-HA254LT-4A	7.50	15.00	12.50
WAFER-HA254LT-5A	10.00	17.50	15.00
WAFER-HA254LT-6A	12.50	20.00	17.50
WAFER-HA254LT-7A	15.00	22.50	20.00
WAFER-HA254LT-8A	17.50	25.00	22.50
WAFER-HA254LT-9A	20.00	27.50	25.00
WAFER-HA254LT-10A	22.50	30.00	27.50
WAFER-HA254LT-11A	25.00	32.50	30.00
WAFER-HA254LT-12A	27.50	35.00	32.50
WAFER-HA254LT-13A	30.00	37.50	35.00
WAFER-HA254LT-14A	32.50	40.00	37.50
WAFER-HA254LT-15A	35.00	42.50	40.00
WAFER-HA254LT-16A	37.50	45.00	42.50

UNLESS OTHERWISE SPECIFIED TOLERANCES

DECIMALS: X :±0.20 X.X :±0.10 X.XX :±0.05
 ANGLES: X :±5° X.X :±3° X.XX :±1°



东莞市汉博电子科技有限公司
DONGGUAN HANBO TECHNOLOGY CO., LTD

TITLE	WAFER HA 2.54立贴 带卡扣 SMT TYPE		
DWN	xiong	PART NO. WAFER-HA254LT-NA	
CHKD	lee	SCALE: 1:1	UNIT: mm
APVD	wang	SIZE: A4	SHEET: 10F 1
REV: A4			
CUSTOMER COPY			