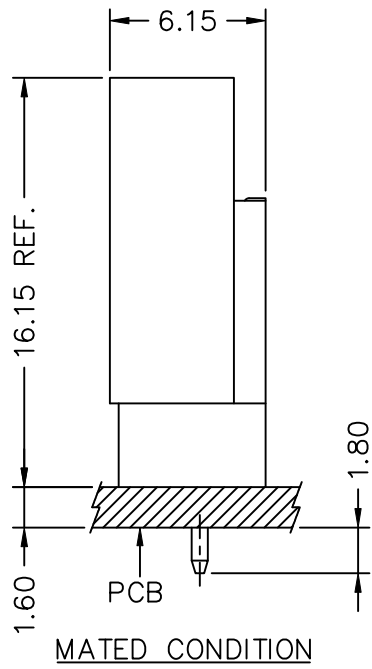
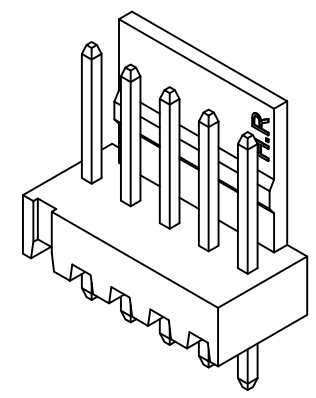
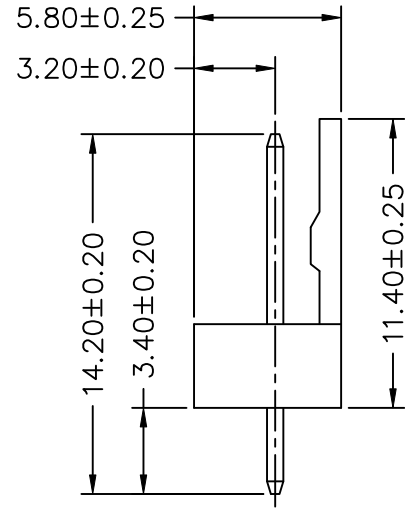
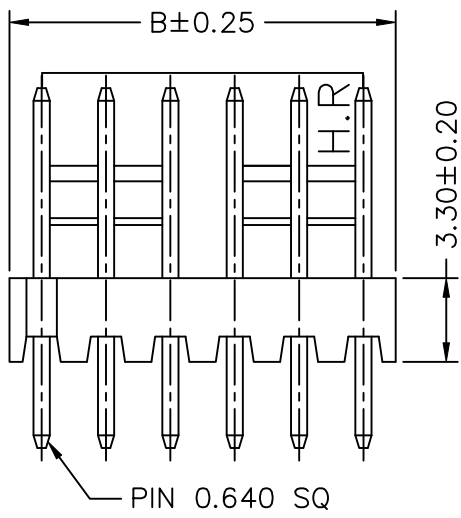
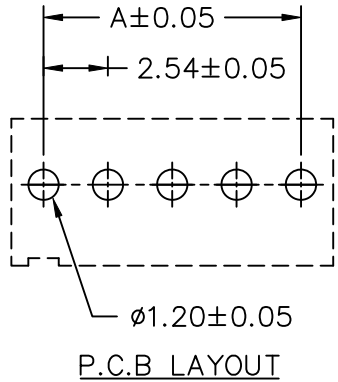
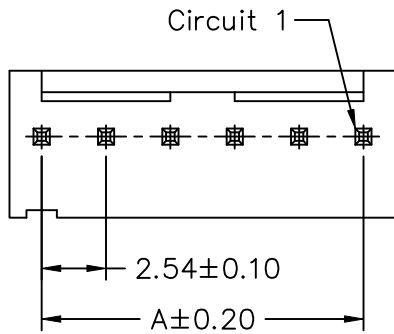


1 |

2 |

3 |

4 |



P/N LEGEND

A2542 WV-XP XXX

① ② ③ ④

① Series No.
 ② Connector type: WV=Vertical
 ③ No. of circuits
 ④ Option code:

Blank=Nylon 66,UL94V-2, Color:Beige(7506C), Tin-plated
 V0=Nylon 66,UL94V-0, Color:Beige(7506C), Tin-plated
 001=Nylon 66,UL94V-0, Color:Natural(White), Tin-plated
 BR=Nylon 66,UL94V-0, Color:Brick Red(7523C), Tin-plated
 6T=Nylon 6T,UL94V-0, Color:Natural(Beige), Tin-plated
 46G=Nylon 46,UL94V-0, Color:Natural(Beige), Gold-flash

SPECIFICATIONS

Current Rating: 4A AC,DC
 Voltage Rating: 250V AC,DC
 Temperature Range: -25°C ~ +85°C
 Contact Resistance: 10mΩ Max
 Insulation Resistance: 1000MΩ Min
 Withstanding Voltage: 1000V AC/minute

Circuit No.	Dimensions		Circuit No.	Dimensions	
	A	B		A	B
02P	2.54	5.08	12P	27.94	30.48
03P	5.08	7.62	13P	30.48	33.02
04P	7.62	10.16	14P	33.02	35.56
05P	10.16	12.70	15P	35.56	38.10
06P	12.70	15.24	16P	38.10	40.64
07P	15.24	17.78	17P	40.64	43.18
08P	17.78	20.32	18P	43.18	45.72
09P	20.32	22.86	19P	45.72	48.26
10P	22.86	25.40	20P	48.26	50.80
11P	25.40	27.94			

				燦達電子工業股份有限公司 JOINT TECH ELECTRONIC IND. CO., LTD.		
UNIT		SCALE	SHEET		TITLE:	
mm		1 : 1	1 of 1			
DRAWN BY		APPROVED BY		2.54mm PITCH 180° WAFER		
董正一		董正一				
2001.02.01		2001.02.01				
GENERAL TOLERANCE				DRAW NO. : A2542WV-XP		
B3	EN20210908798	2021.09.08	劉建芳			REV. B3
B2	EN1210220339	2012.10.25	郭本思			
B1	EN1202200034	2012.02.20	陳錦展			
REV.	DESCRIPTION	DATE	NAME	X. X±0.25 X. XX±0.15 X. XXX±0.05		

1 |

2 |

3 |

4 |