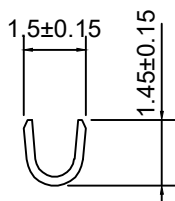
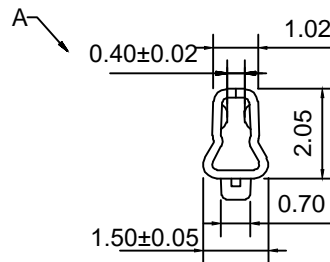


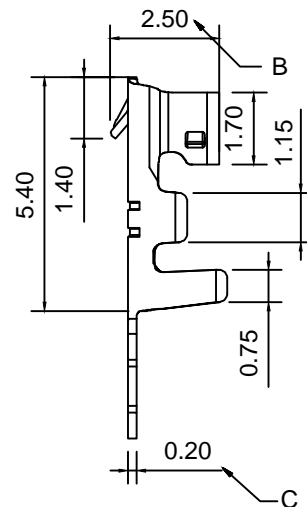
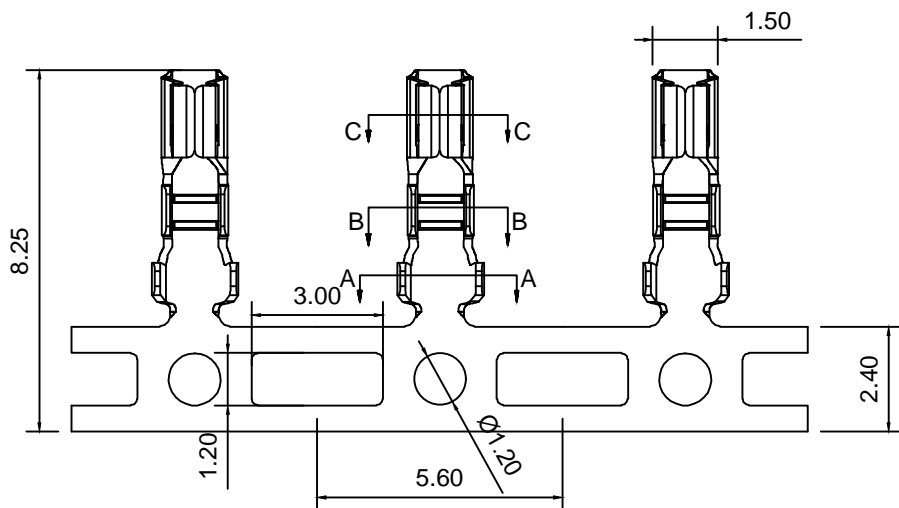
SECT:A-A



SECT:B-B



SECT:C-C



1. 极数 poles: 2 to 20P
2. 额定电流 Current rating: 2.0A AC, DC
3. 额定电压 Voltage rating: 100V AC, DC
4. 温度范围 Temperature range: -25°C to +85°C
5. 接触电阻 Contact resistance: ≤10mΩ
6. 绝缘电阻 Insulation resistance: ≥1000mΩ
7. 耐电压 Withstand voltage: 800V AC/minute
8. 适用线规 Applicable Wire: AWG #32 to #24

2016TF-PSN	phosphor copper	AWG#32-24	Tin Plated	2016HM
Series No.	Material	Wire Range	Metal plating	Mate with Housing

new		2015/5/3	A	瀚源	
ECN BO.		DESCRIPTION.		DATE.	REV.
DESIGNED	CHECKED	APPROVAL	DRAWING NUMBER	SCALT: 1/2	SCALE: 3:1
Mikey	Tom	Jerry	PART NAME 2016TF-PSN	UNLESS OTHERWISE SPECIFIED,TOLERANCE:	X. ±0.25
			MODEL NAME H-2016TF-PSN		X.x ±0.20
			3RD ANGLE PROJ	HanElectricity Co.,LTD	X.xx ±0.15
					ANGULAR ±3°
					FILE.NO.