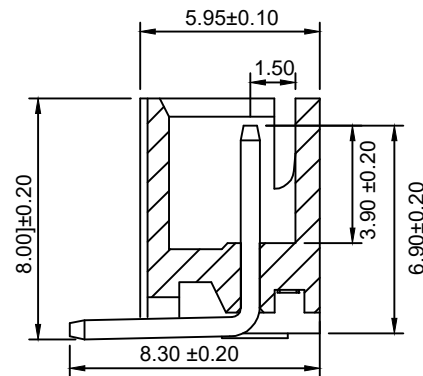
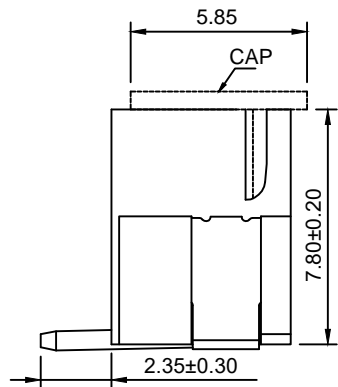


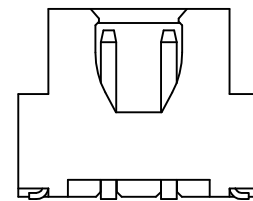
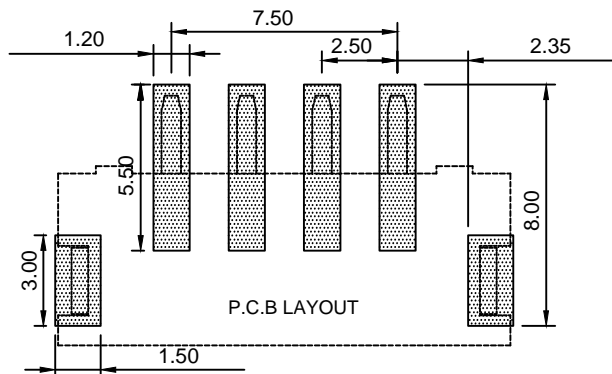
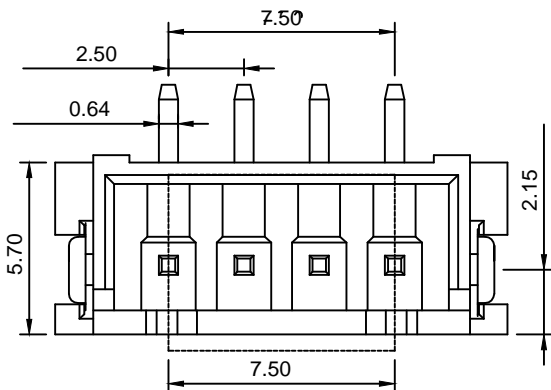
	02P~10P	0.10	MAX
	11P~16P	0.12	MAX



Specifications:

规格:

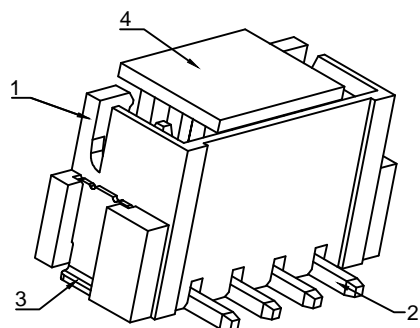
- Voltage rating: 250V AC/DC
额定电压: 250V AC/DC
- Current rating: 3A AC/DC
额定电流: 3A AC/DC
- Withstanding voltage: 1000V AC/minute
耐受电压: 1000V AC/分钟
- Temperature range: -25°C~+85°C
温度范围: -25°C~+85°C
- Insulation resistance: 800MΩ MIN
绝缘电阻: 800MΩ MIN
- Contact resistance: 20mΩ Max
接触电阻: 20mΩ Max



2PIN结构

Circuits	Dimensions		
	A	B	C
2	2.50	10.00	7.50
3	5.00	12.50	10.00
4	7.50	15.00	12.50
5	10.00	17.50	15.00
6	12.50	20.00	17.50
7	15.00	22.50	20.00
8	17.50	25.00	22.50
9	20.00	27.50	25.00
10	22.50	30.00	27.50
11	25.00	32.50	30.00
12	27.50	35.00	32.50
13	30.00	37.50	35.00
14	32.50	40.00	37.50
15	35.00	42.50	40.00
16	37.50	45.00	42.50

8821WVS-XXP	LCP UL94V-0	Brass	Tin Plated	8821H
Series No.	Material	Material	Metal plating	Mate with Housing



new		2015/5/3	A	瀚源			
ECN BO.		DESCRIPTION.	DATE.		REV.		
DESIGNED	CHECKED	APPROVAL	DRAWING NUMBER	SCALT: 1/2	SCALE: 3:1		
Mikey	Tom	Jerry	PART NAME	8821WVS-XXP	UNLESS OTHERWISE SPECIFIED, TOLERANCE:	X.	±0.25
			MODEL NAME	H-8821WVS-XXP		X.x	±0.20
			3RD ANGLE PROJ	HanElectricity Co.,LTD		X.xx	±0.15
				FILE.NO.			