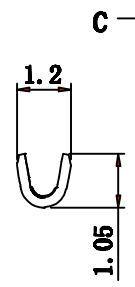
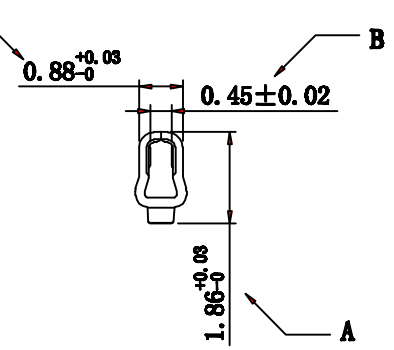


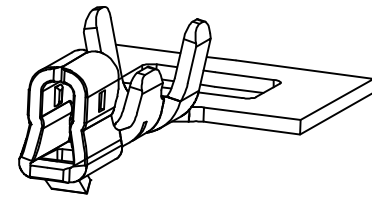
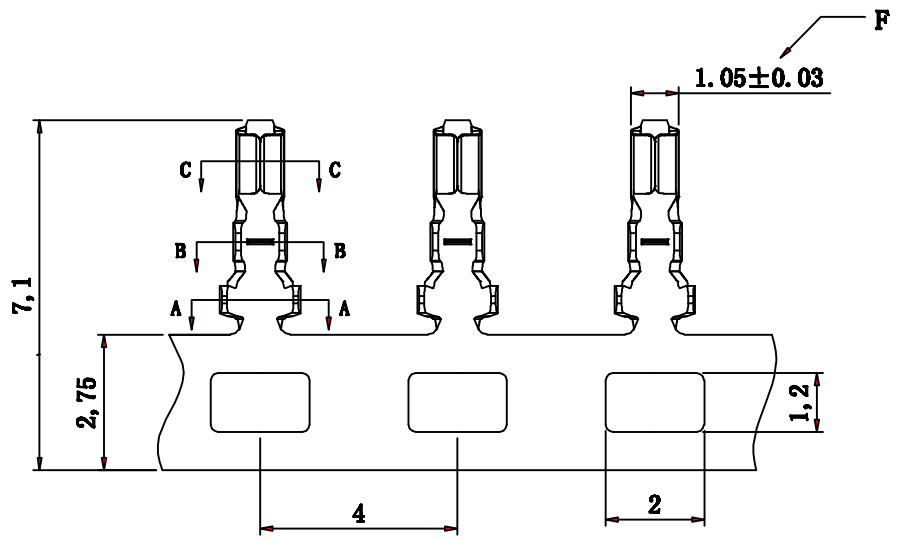
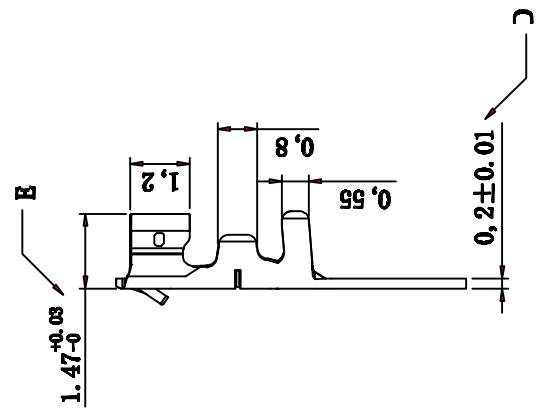
SECT:A-A



SECT:B-B



SECT:C-C



1502T-PSN	Phosphor	AWG#32~26	1502H
PART NO	Material	Wire Range	Suitable Housing

—		new		2015/5/3		A		瀚源	
ECN BO.		DESCRIPTION.		DATE.		REV.			
DESIGNED	CHECKED	APPROVAL	DRAWING NUMBER	SCALT: 1/2		SCALE: 3:1			
Mikey	Tom	Jerry	PART NAME	1502T-PSN	UNLESS OTHERWISE SPECIFIED,TOLERANCE:		X.	±0.25	
			MODEL NAME	X-1502T-PSN			X.x	±0.20	
			3RD ANGLE PROJ	HanElectricity Co.,LTD		X.xx	±0.15	ANGULAR	±3°