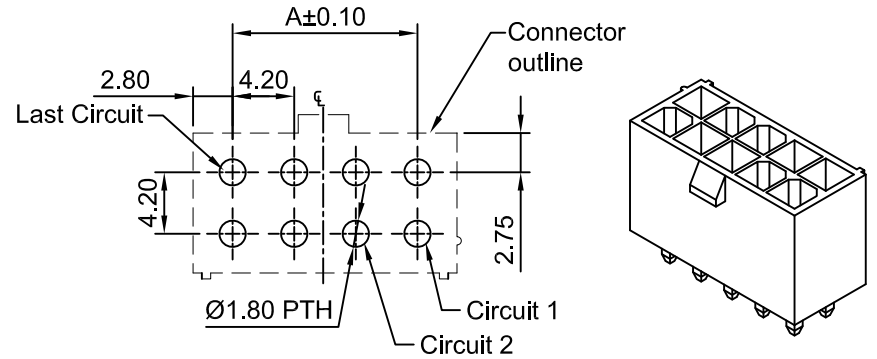
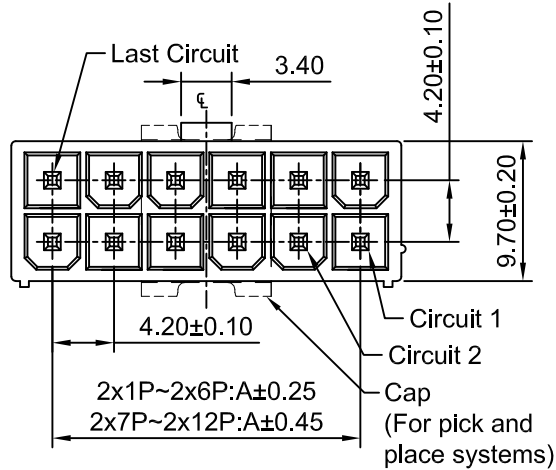


**Ordering Information:**

C4201WV-2xXP -  $\frac{1}{2}$  -  $\frac{**}{3}$  -  $\frac{***}{4}$  -  $\frac{**}{5}$  -  $\frac{***}{6}$

- Part NO.
- PIN Size:  
(Blank): 1.14 SQ  
SQ: 1.07 SQ
- Material:  
(Blank): Nylon 66,UL94V-2 (Natural)  
V0: Nylon 66,UL94V-0 (White)  
GWT: Nylon 66,UL94V-0(Beige),  
IEC 60335-1,5th Edltion  
Glow Wire Capable.  
46: Nylon 46,UL94V-0 (Beige)  
46-GWT: Nylon 46,UL94V-0 (Beige),  
IEC 60335-1,5th Edition  
Glow Wlre Capable.  
9T: Nylon 9T,UL94V-0 (Beige)  
LCP: LCP,UL94V-0 (Beige)
- Color:  
(Blank):see section 3 material  
BK: Black RD: Red  
YL: Yellow BL: Blue  
GN: Green
- Finish:  
(Blank): Tin over Nickel  
MT: Matte Tin over Nickel  
G: Gold over Nickel(Au:1u",)  
G15: Gold over Nickel(Au:15u",Mating Area)  
G30: Gold over Nickel(Au:30u",Mating Area)
- Packing:  
(Blank): Bag  
CRE: Tape & Reel with cap



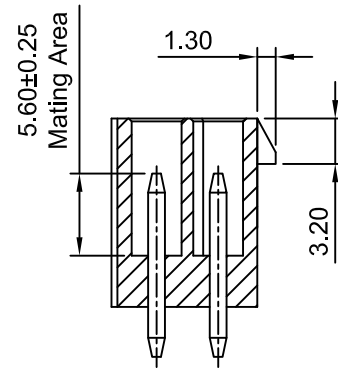
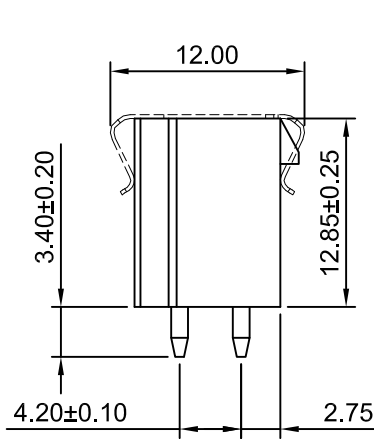
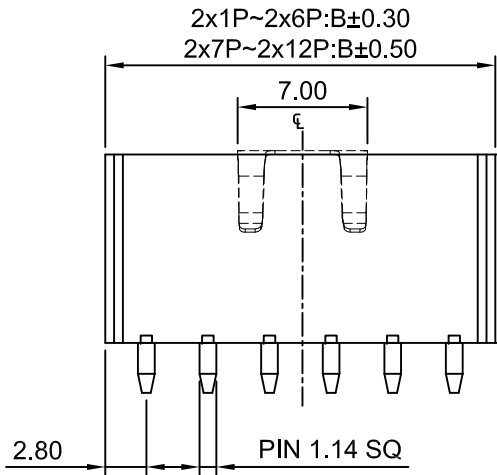
**P.C.B LAYOUT**  
**TOLERANCE:±0.05**

**SPECIFICATIONS:**

Current Rating: 13A AC,DC(Max)(Maximum current up to 13A when using the C4201F-TCA-HH series terminal)  
Voltage Rating: 600V AC,DC  
Temperature Range: -40°C ~ +105°C  
Contact Resistance: 10mΩ Max  
Insulation Resistance: 1000MΩ Min  
Withstanding Voltage: 1500V AC/minute  
Pin Material:Brass  
Material: Nylon 66,UL94V-2

**Ordering Information & Dimensions**

Circuits	Dimensions(mm)		Circuits	Dimensions(mm)	
	A	B		A	B
2x1P	---	5.60	2x7P	25.20	30.80
2x2P	4.20	9.80	2x8P	29.40	35.00
2x3P	8.40	14.00	2x9P	33.60	39.20
2x4P	12.60	18.20	2x10P	37.80	43.40
2x5P	16.80	22.40	2x11P	42.00	47.60
2x6P	21.00	26.60	2x12P	46.20	51.80



**CJTconn** CHANGJIANG CONNECTORS CO.,LTD.

Unit	Scale	Sheet	TITLE
mm	2:1	1 of 1	4.20mm PITCH 180° DUAL ROW DIP WAFER
DRWN	CHK'D	APPR	
Haisen Li	Diankui Wan	Jack Yin	

A2	CHANGE THE DRAWING	2021.11.01
A1	CHANGE THE DRAWING	2020.09.19
A0	NEW RELEASE	2005.05.10
REV	DESCRIPTION	DATE

General Tolerances	THIRD ANGLE PROJECTION
x,xx±0.25	
x,xxx±0.20	
x,xxxx±0.15	
ANGLES ±1°	

DRAWING NO.	REV
C4201WV-2xXP	A2