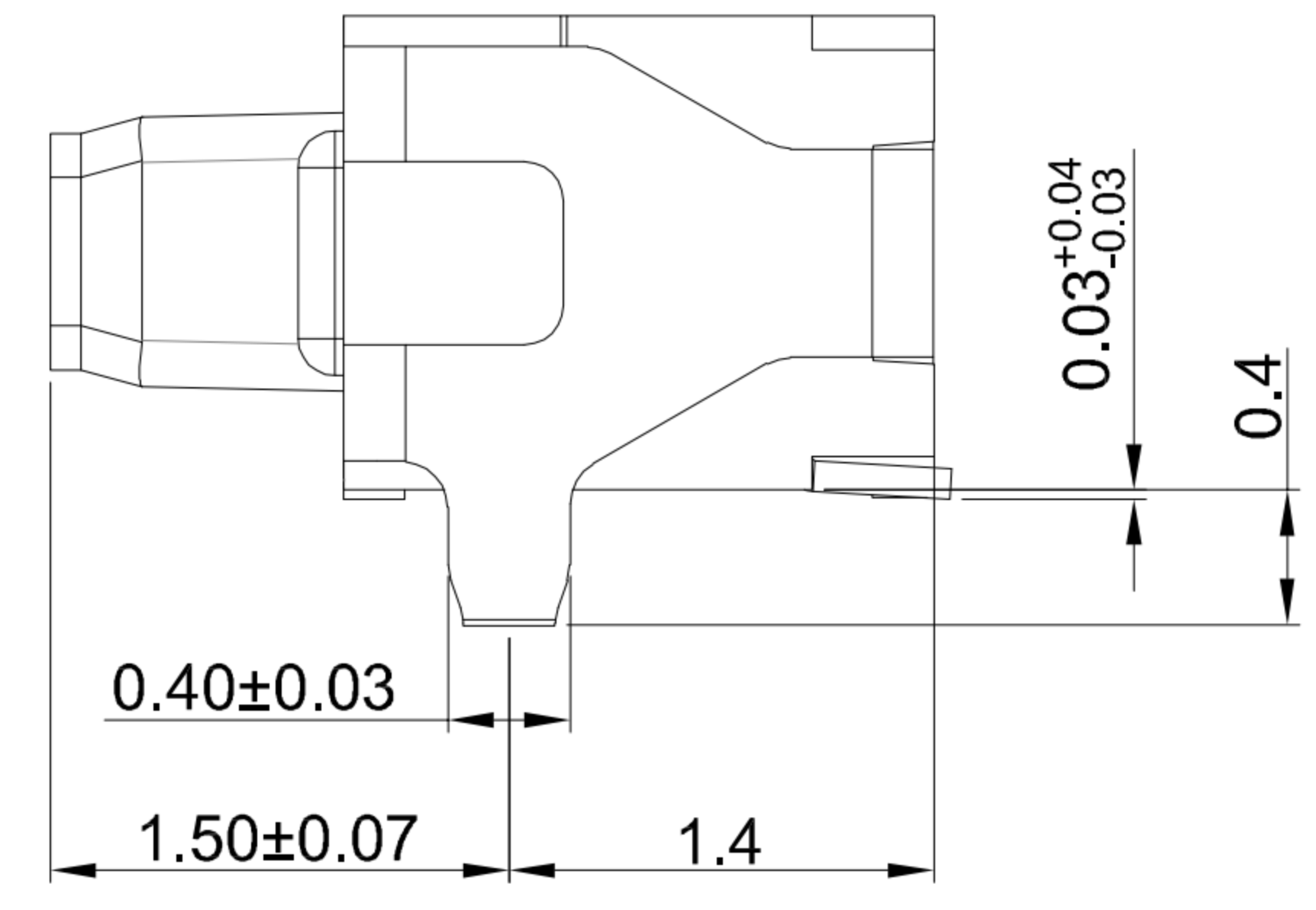
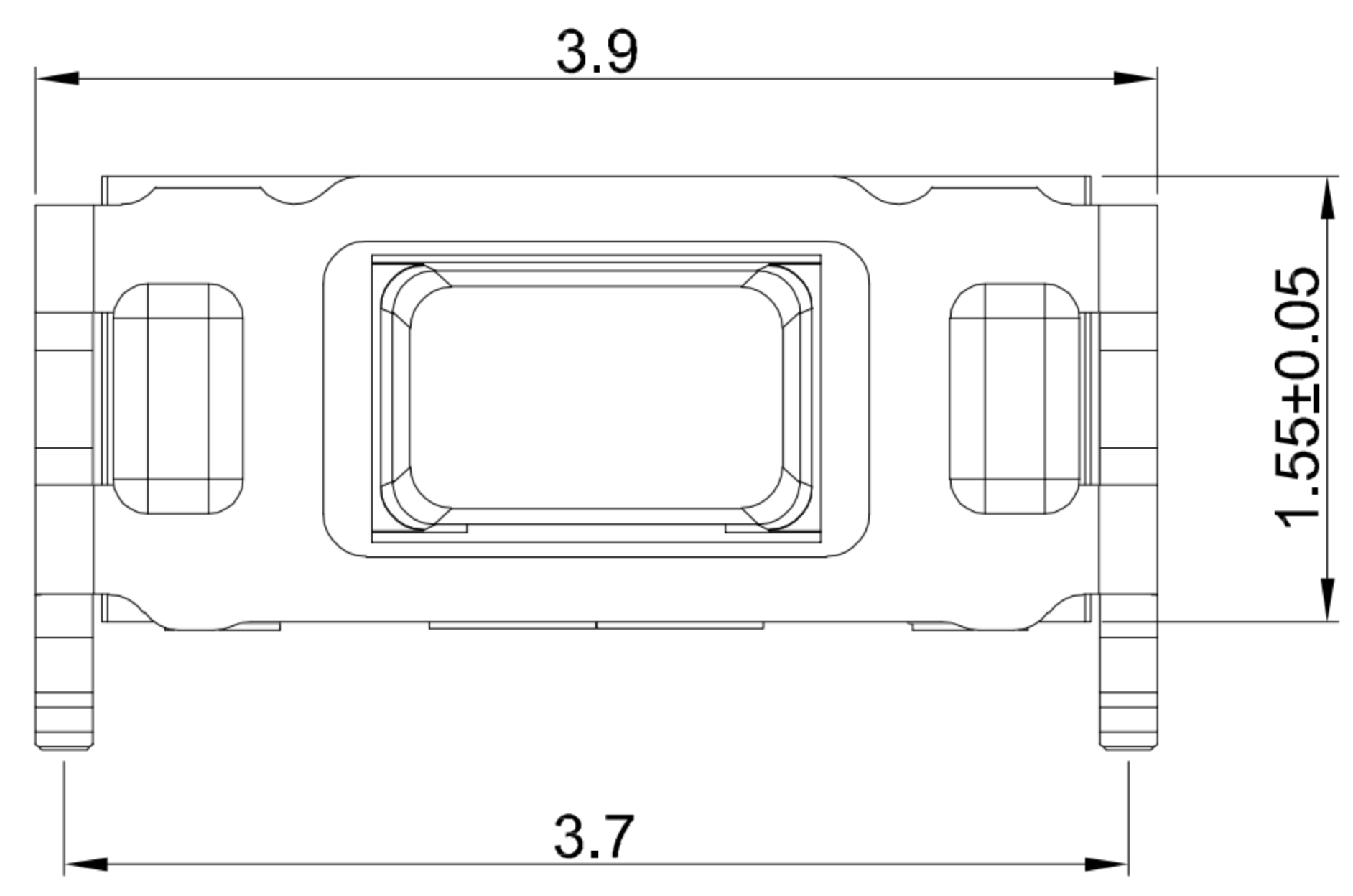


A B C D E

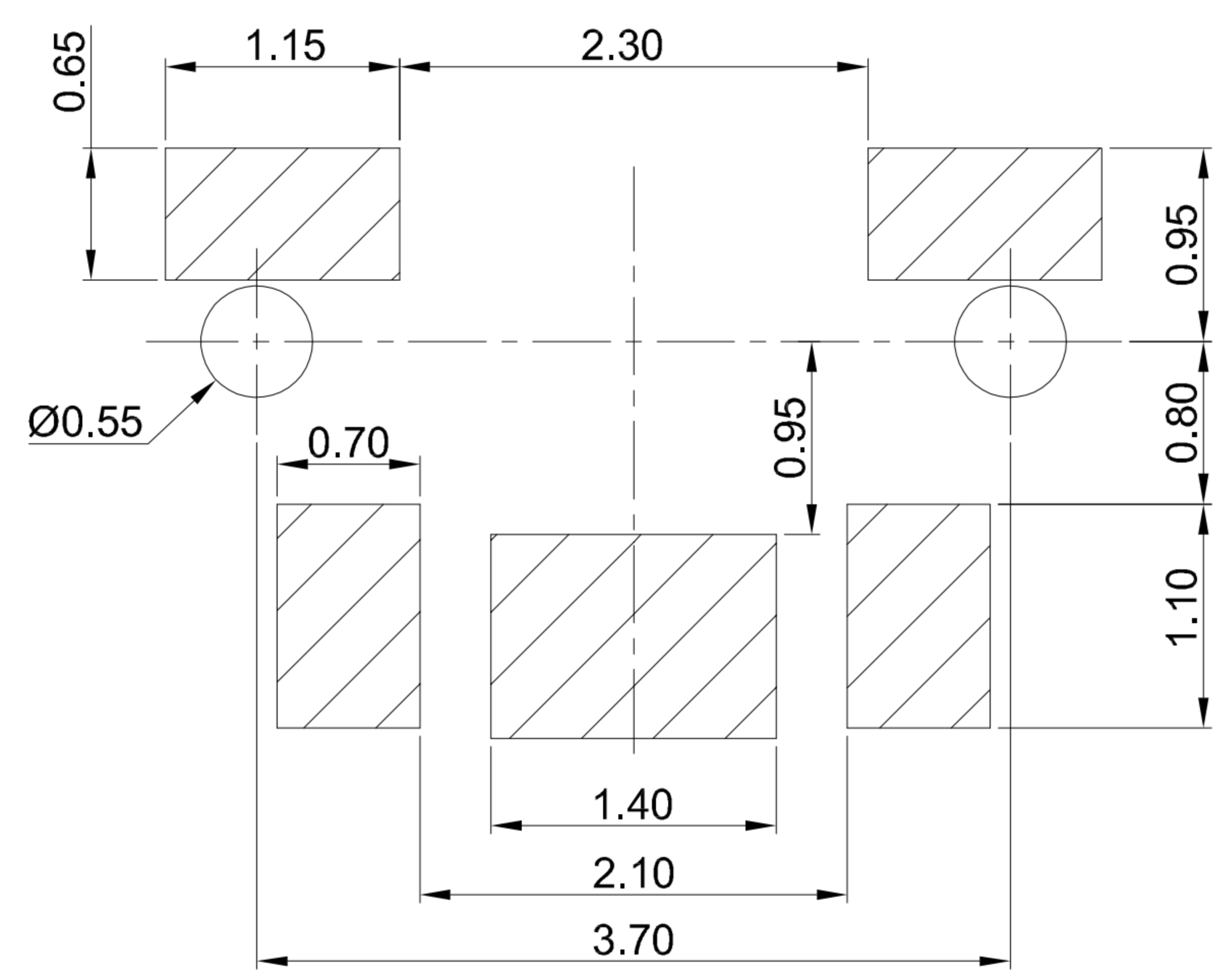
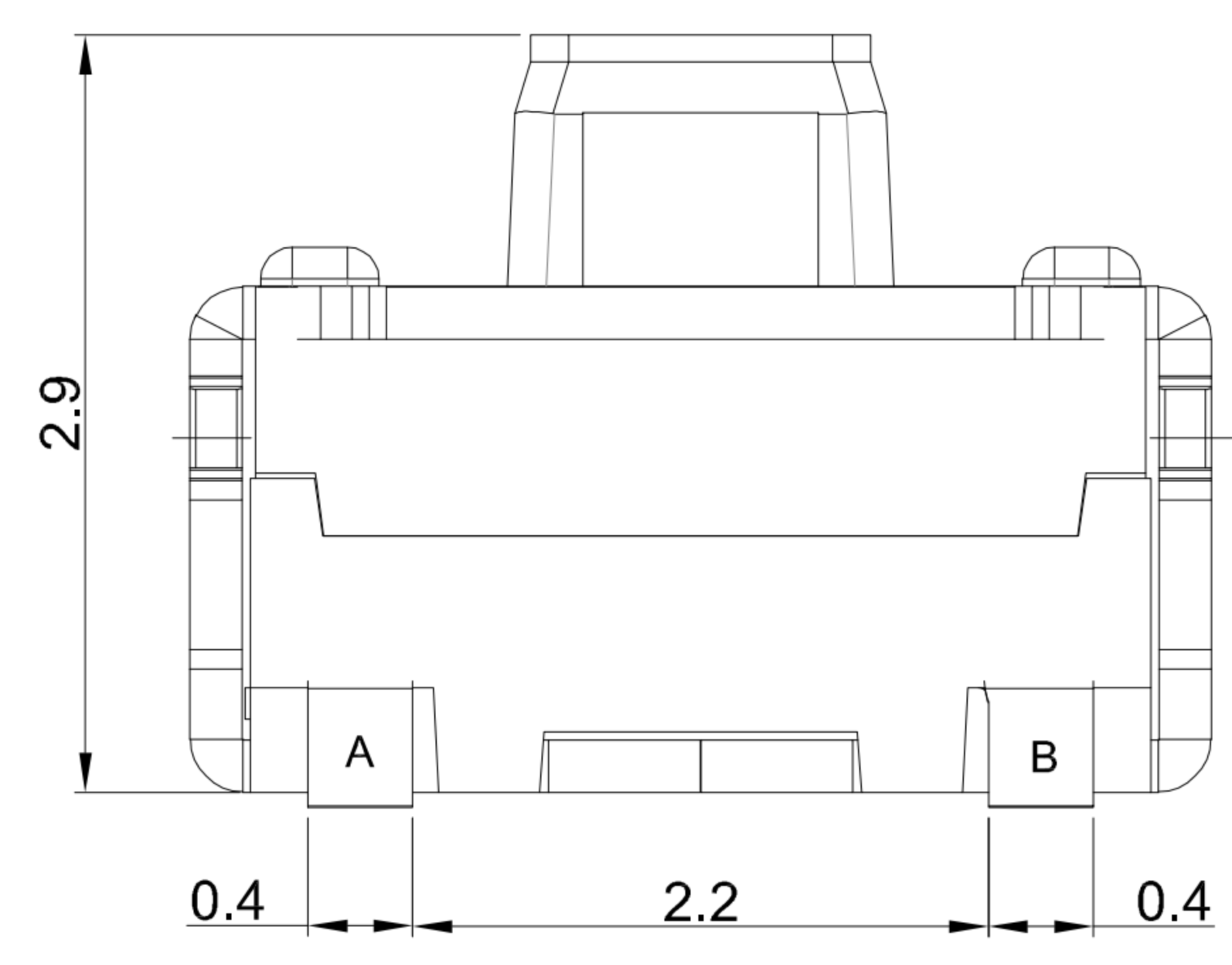


GT-TA173X-H029-L1

Operating Force
 A=160gf
 B=250gf
 C=200gf

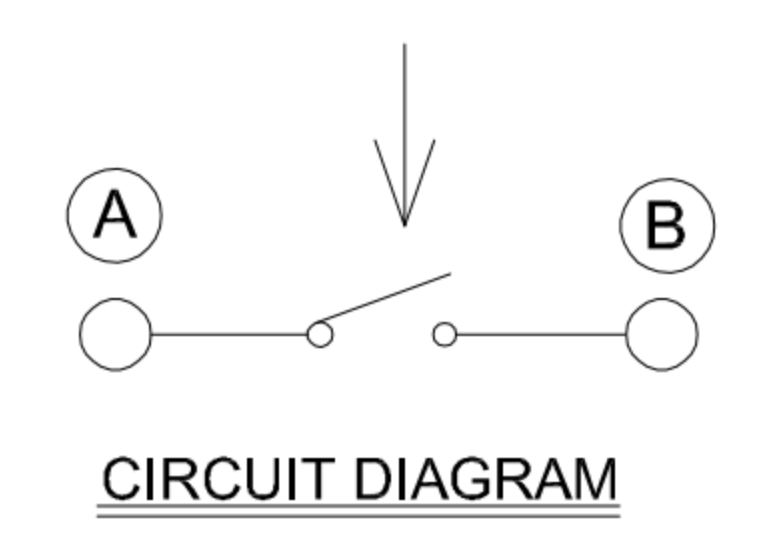
Switch Height
 H029=2.9mm

Switch Lifetime (Force)
 L1=100,000 Cycles

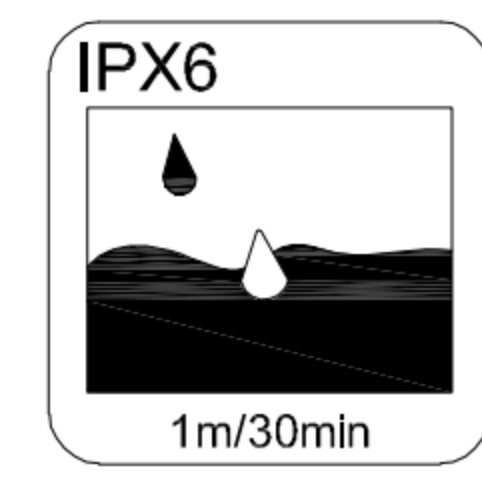


RECOMMENDED PCB LAYOUT
 TOLERANCE:±0.05

G-Switch Specification:
 1. Operating temperature range: -40°C ~ +85°C
 2. Rating: 50mA, 12V DC
 3. Insulation resistance: 100MΩ min, 100V DC
 4. Dielectric strength: 250V AC for 1 min
 5. Contact resistance: 100m Ω max.
 6. Travel: 0.15±0.05mm



7	YELLOW MEMBRANE	TEFLON	YELLOW
6	PLASTIC UPPER COVER	HIGH TEMPERATURE PLASTIC	LCP WHITE
5	COVER	COPPER ALLOY C5191	Ag PLATING
4	PUSH-BUTTON	HIGH TEMPERATURE PLASTIC	LCP BLACK
3	SPRING	STAINLESS STEEL SUS301	Ag PLATING
2	CASE	HIGH TEMPERATURE PLASTIC	LCP WHITE
1	TERMINAL	COPPER ALLOY C5191	Ag PLATING
NO.	PART NAME	MATERIAL	REMARK



SCALE: 1:1	UNIT: mm
SIZE: A4	
Unless otherwise General Tolerance:	
L ≤ 10	±0.30
10 < L ≤ 100	±0.50
100 < L	±0.60

Title: Horizontal Tact Switch SMT 3.9×1.55×2.9mm			
Molde Code: GT-TA173X-H029-L1			
DRAWN	CHECKED	APPROVED	DATE
Xia	Chen	Chen	2023.02.01



REV: A0 SHEET: 1/1

A B C D E

1

2

3

4

5

1

2

3

4

5