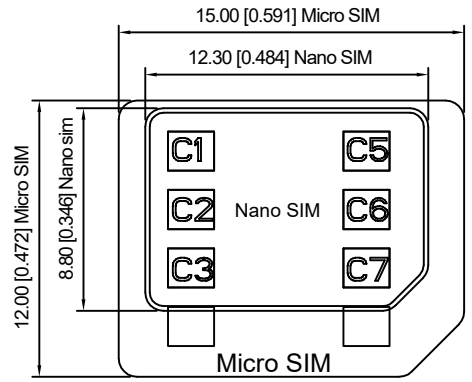


RECOMMENDED PCB LAYOUT

- NOTES:
- MATERIAL:
 - Insulator: High Temperature Thermoplastic, UL94V-0; Color Black.
 - Terminal: Copper Alloy.
 - Shell: Stainless Steel.
 - PLATING:
 - Contact: Plated 50u" Ni Overall Contact Au 1u"
 - Shell: Plated 50u" Ni Overall, PAD Au 1u"
 - SPECIALITY:
 - Current Rating :0.5mA AC/DC max.
 - Voltage Rating :125V AC/DC
 - Ambient Temperature Range :-20°C~+60°C
 - Storage Temperature Range :-40°C~+70°C
 - Ambient Humidity Range :95% R.H. Max.
 - Contact Resistance:100mΩ max.
 - Insulation Resistance:1000MΩ min./500VDC
 - Mating Cycles:10,000 Insertions
 - Reflow peak temp. : 260°C ±5°C, 3~5 S
 - Mating Cycles:3,000 Insertions Min



SIM pin assignment	
PIN#	Name
C1	VCC供电电压
C2	RST重置
C3	CLK时钟
C5	GND接地
C6	VPP程序电压
C7	I/O输入输出

new		2015/5/3	A	瀚源	
ECN BO.		DESCRIPTION.	DATE.		REV.
DESIGNED	CHECKED	APPROVAL	DRAWING NUMBER	SCALT: 1/2	SCALE: 3:1
Mikey	Tom	Jerry	PART NAME	SIM-304	UNLESS OTHERWISE SPECIFIED, TOLERANCE: X. ±0.25 X.x ±0.20 X.xx ±0.15 ANGULAR ±3
			MODEL NAME	SIM-304	
			3RD ANGLE PROJ	HanElectricity Co.,LTD	
				FILE.NO.	