

规格型号: Specifications:

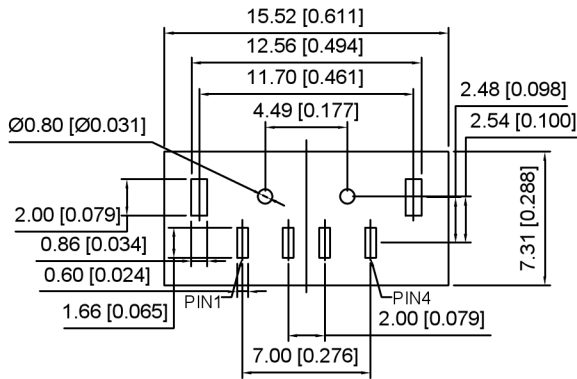
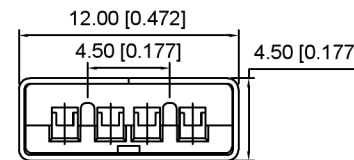
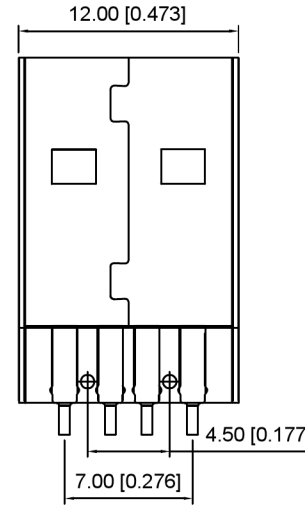
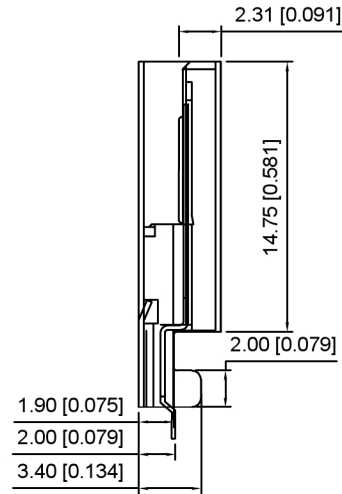
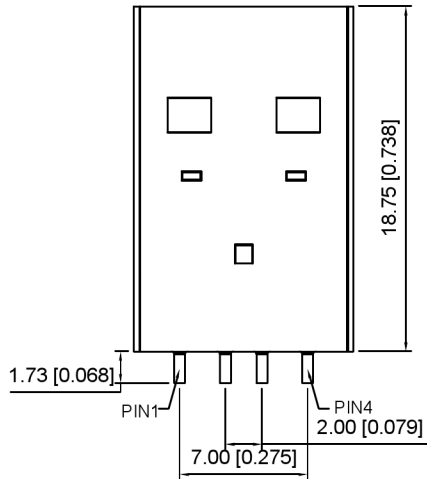
电气特性: Electrical:

1. 额定电流: Current Rating
1.5A/contact terminal
 2. 额定电压: Voltage Rating 30V DC
 3. 接触阻抗: 50 mΩ Max
 4. 耐电压: 500V AC 1M
 5. 绝缘阻抗: 1000 MΩ MINI 300 V/AC
2. 环境性能 Environmental performance
- A. 操作温度 -40°C TO 85°C
3. 物理性能: Mechanical:
- 插拔力 Insertion force: Connector Mate and Unmate Force
Mate force: 3.5kgf [MAX]
Unmate force: 1.0kgf [MIN]

原材料: Material:

1. 塑胶: Housing:
Hing Temperature Ternmaplastics,
LCP Black
2. 端子: Contact: Copper Alloy C2680
3. 外壳: Shel: Copper Alloy SPCC

PIN1	VBUS
PIN2	D-
PIN3	D+
PIN4	GND



PCB LAYOUT

U217-04XN-4BV83

- 1: 1u"
2: 2.5u"
3: 10u"
- W: WHITE
B: BLACK
- 1: PBT
2: PA6T
3: PA9T
4: LCP

广东星坤科技股份有限公司

文件工程章

REVISIONS	DATE	REVISED	APPROVED	DESCRIPTION
ΔX				
ΔX				
ΔX				
MARK				

UNSPECIFIED TOLERANCES

XKB INDUSTRIAL PRECISION CO., LIMITED

DSND	SCALE: N/A	MODEL TYPE: USB 2.0
DWN	VIEW:	PART NO.:
CHKD	UNIT: mm/in	DWG NO.: U217-04XN-4BV83
APPD	SIZE: A4	WEIGHT SHEET REVISION
		1/1 A0