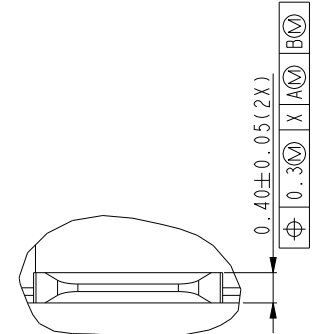
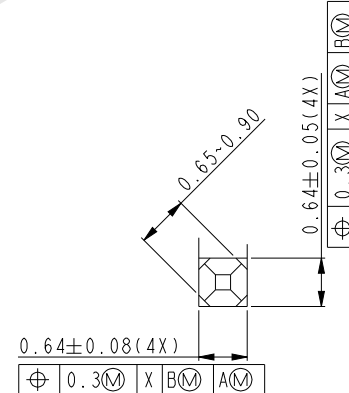
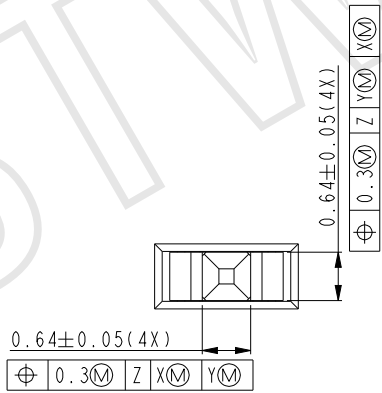
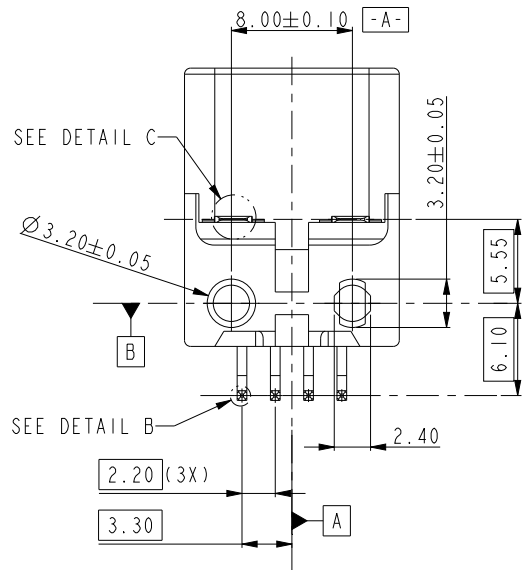
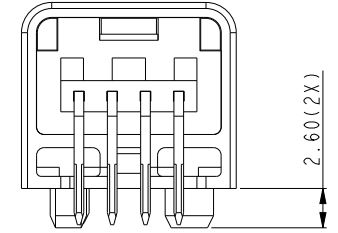
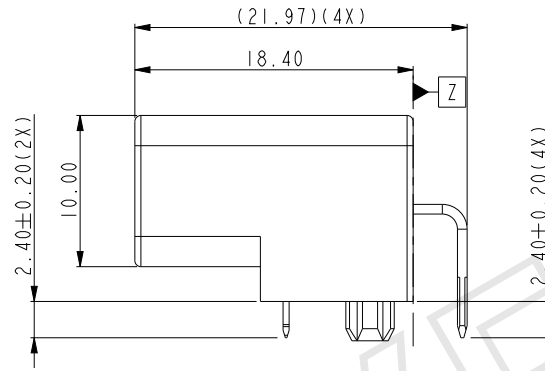
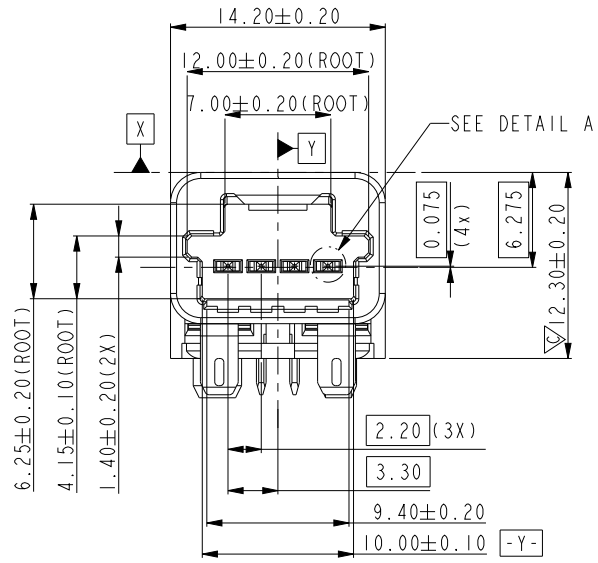


REV.	ECN Number	Description	Drawn
I	CSI903002I	RELEASE	ZL_2019.03.04



TOLERANCE UNLESS OTHERWISE SPECIFIED			
X.X	±0.30	X.°	±3°
X.XX	±0.20	X.X°	±2°
X.XXX		X.XX°	±1°

SCALE	2:1
UNIT	mm
SIZE	A4

ORIGINAL DRAWN:	ZL	DATE	2019.04.02
CHECK:	Yanghong	DATE	2019.04.02
APPROVE:	Ady zhou	DATE	2019.04.02

DWG. NO.	600-0000-0444
PARTS NO. (INTENDED USE)	APC5-04AK-F-001

TITLE	CUSTOMER DRAWING
-------	------------------

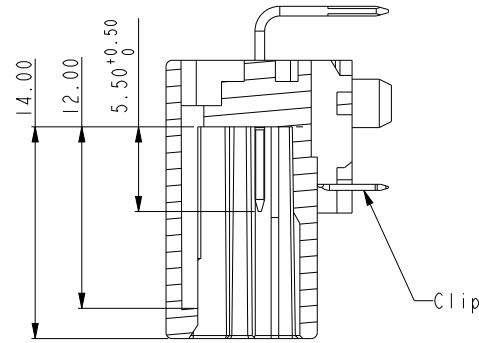
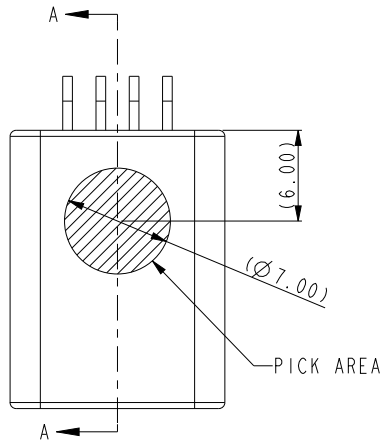
REV.	I
SHEET	1/2

Notes:

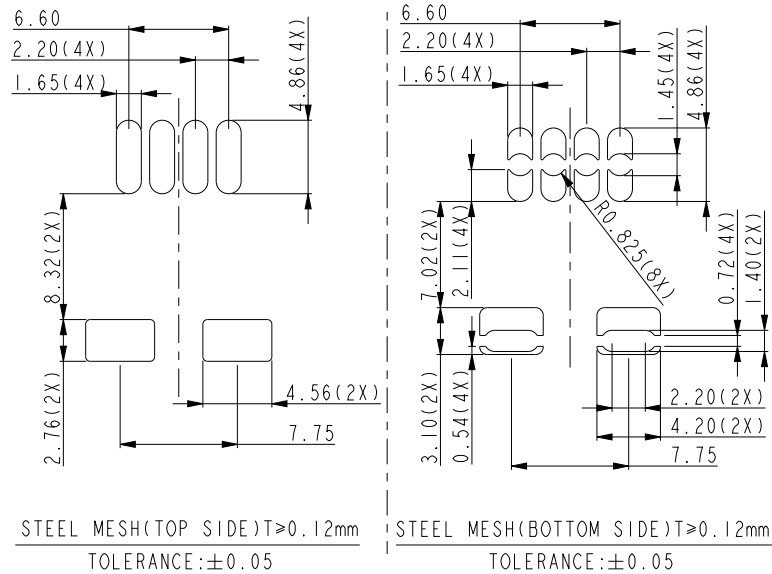
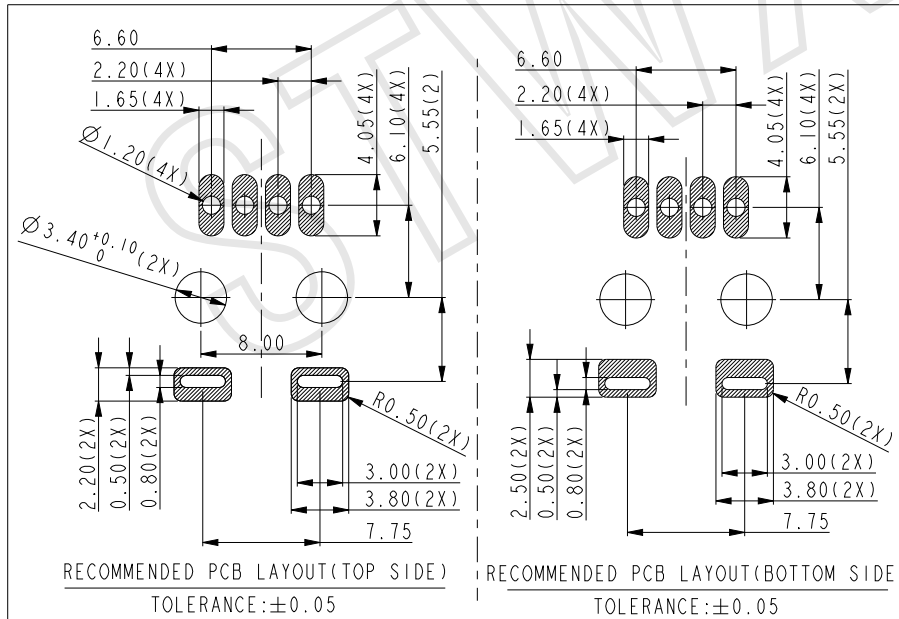
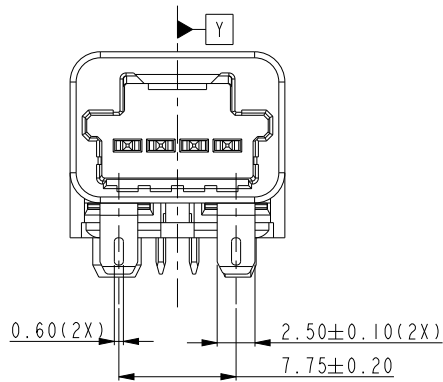
1. HOUSING MATERIAL:HIGH TEMPERATURE PLASTICS,UL94V-0.
2. CONTACT MATERIAL:COPPER ALLOY.
3. OPERATING TEMPERATURE RANGE: -40°C~+105°C
4. STORAGE TEMPERATURE RANGE: -40°C~+105°C
5. MINIMUM SOLDER STENCIL THICKNESS IS 0.12mm .
6. "▽"SIZE FOR CPK;
7. PRODUCT NUMBER MATRIX:

APC5-04AK-F-001

P:Power supply seat
 C:2.20mm Pitch
 5:T/H,R/A,Two row
 Number fo contacts
 04:4pin
 Contact Plating:
 A:Matte Tin
 Housing Color:
 001:Black with clip
 002:White without clip
 NULL:Low Temperature Thermoplastic
 F:High Temperature Thermoplastic
 H:Halogen Free
 PACKING:
 K:REEL



截面 A-A



▨ : PAD AREA

□ : STEEL MESH HOLE



TOLERANCE UNLESS OTHERWISE SPECIFIED

X.X	±0.30	X.°	±3°
X.XX	±0.20	X.X°	±2°
X.XXX		X.XX°	±1°

SCALE 2:1

UNIT mm

SIZE A4

ORIGINAL DRAWN: ZL DATE 2019.04.02

CHECK: Yanghong DATE 2019.04.02

APPROVE: Ady zhou DATE 2019.04.02

DWG. NO.

600-0000-0444

PARTS NO.(INTENDED USE)

APC5-04AK-F-001

TITLE

CUSTOMER DRAWING

REV.

1

SHEET

2/2